



REPLACING THE FOOT AND CALF MASSAGER

HT-100/102/103/410/430/450/3200/3300

To ensure that Human Touch® products are repaired in a manner that is fully consistent with the practices used during the manufacturing process, Human Touch requires that all product repairs are performed using only factory-new parts and in accordance with these product repair instructions.

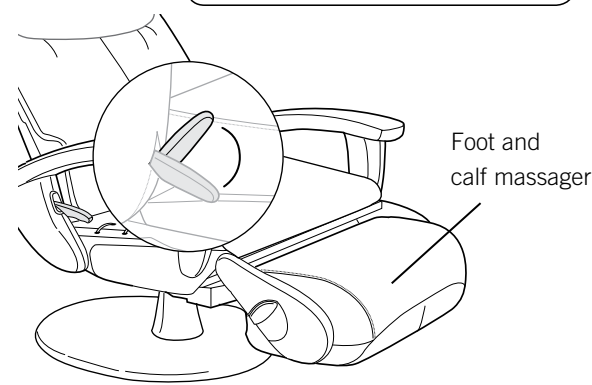
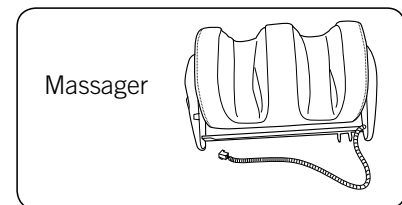
SERVICE LEVEL: 3

Tools Required: Phillips-head screwdriver, flat-head screwdriver, vice grip, small hammer, pliers, nail clipper or other instrument suitable for cutting zip ties, new zip ties

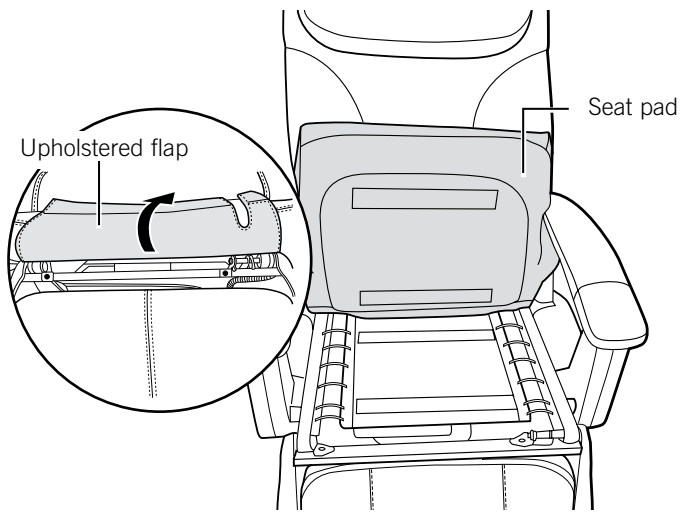
NOTE: SAVE ALL PARTS FOR USE DURING REASSEMBLY.

REMOVING THE MASSAGER

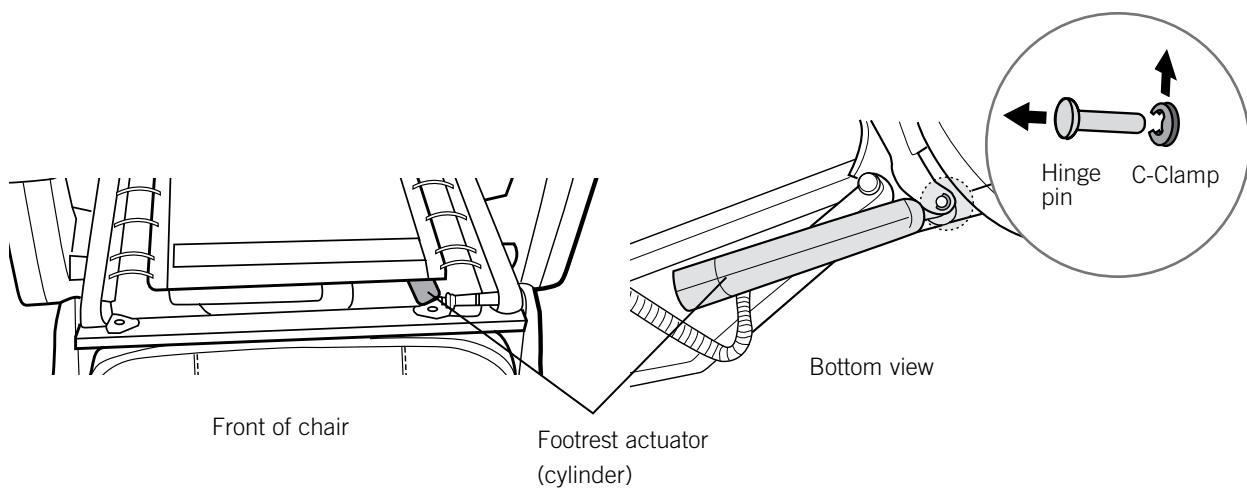
1. Power off the chair and unplug it.
2. Use the footrest lever to fully deploy the foot and calf massager (Fig.1).
3. Standing in front of the foot and calf massager, detach the upholstered flap that covers the massager frame, then detach the seat pad from the chair base (Fig.2).
4. Locate the hinge pin that secures the footrest actuator (cylinder) to the front of the chair frame (Fig.3).
5. Using a needle-nosed pliers, remove the C-clamp from the right-hand side of the pin (as you're facing the foot and calf massager). (Fig.3).
6. While supporting the foot and calf massager, use a pliers to pull the pin to the left, out of the footrest actuator (cylinder), and remove it (Fig.3). The footrest actuator (cylinder) drops down, away from the foot and calf massager frame.



(Fig.1)

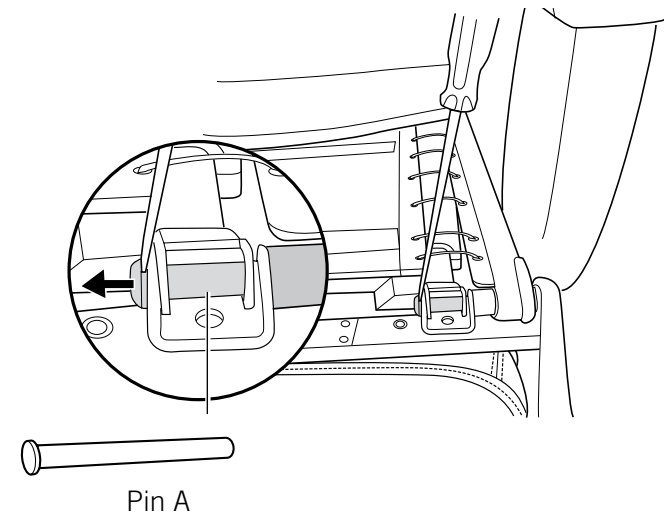
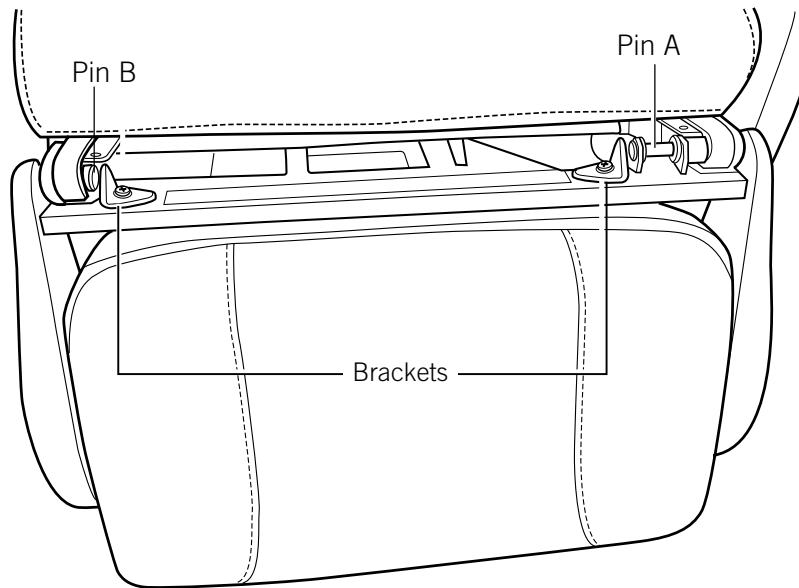
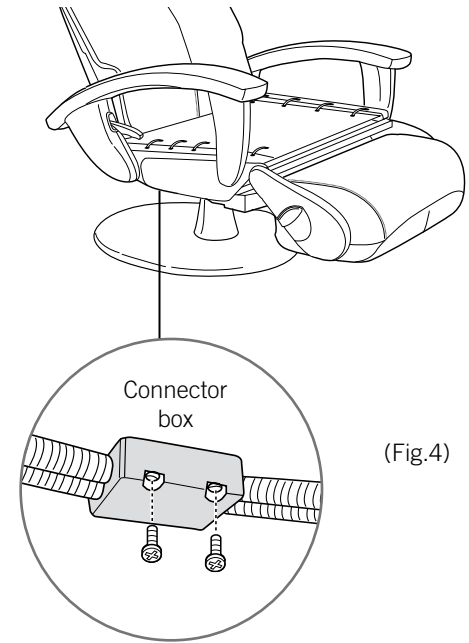


(Fig.2)

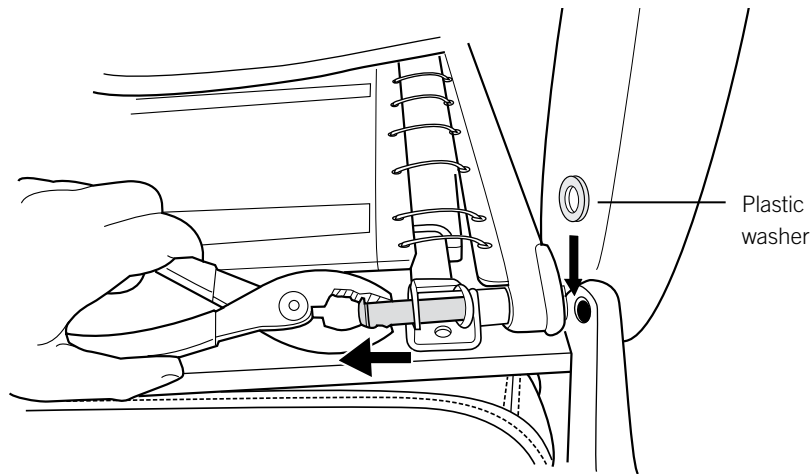


(Fig.3)

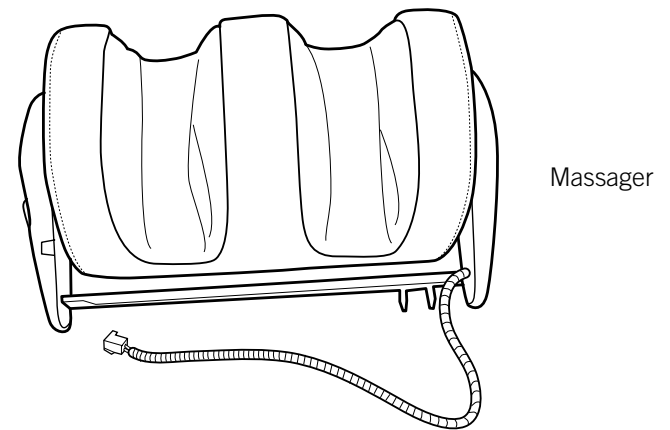
7. Locate the connector box on the bottom right-hand side of the chair (Fig.4).
8. Using a Phillips-head screwdriver, remove the two screws that secure the connector box cover, remove the cover, then disconnect the foot and calf massager connector.
9. Using a nail clipper, or other suitable instrument, cut any zip ties that secure the cable that runs from the backrest to the foot and calf massager, to free the cable from the chair base. **NOTE:** Be careful not to cut the wire casing.
10. Locate the two brackets on the top of the foot and calf massager frame (Fig.5). Using a vice-grip, turn each bracket screw counter-clockwise just enough to break the torque (approximately 1/4 turn).
11. Using a Phillips-head screwdriver, remove both screws and their washers from the brackets, then remove the brackets.
12. Locate Pin A, then use a flat-head screwdriver to loosen the pin, by inserting the screwdriver between the pin head and the bracket then using the screwdriver as leverage to push the pin head away from the bracket (Fig.6).



13. Using a pliers, remove Pin A from the bracket (Fig.7). As the pin is removed, a washer installed on the right-hand end of the pin (as you're facing the foot and calf massager) will fall to the floor. Be sure to save this washer for use during reassembly.
14. Repeat steps 12 and 13 to remove Pin B from its bracket.
15. Using a nail clipper or other suitable instrument, cut and remove any remaining zip ties that secure the foot and calf massager cabling to the chair.
16. Remove the massager from the chair (Fig.8).



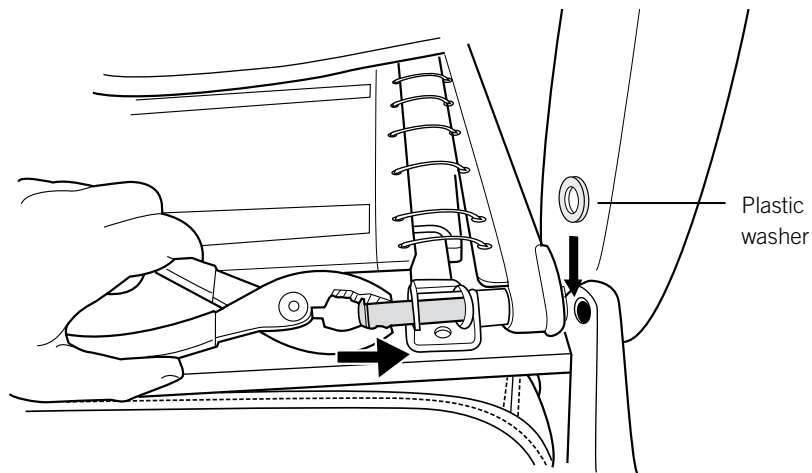
(Fig.7)



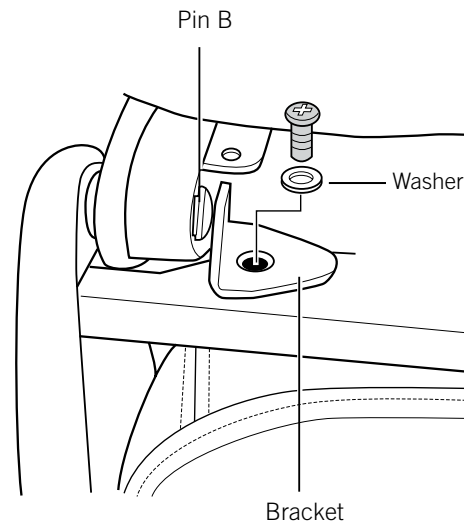
(Fig.8)

INSTALLING THE NEW MASSAGER

1. Place the new massager into position, then insert pin A (Fig.9).
2. Insert the plastic washer between the chair frame and the inside of the foot and calf massager side panel. (Fig.9).
3. Repeat steps 1 and 2 to install Pin B.
4. Use a small hammer to completely install Pin A and Pin B until both pins are flush with the bracket.
5. Using a Phillips-head screwdriver, replace the two brackets on the front of the massager frame and secure them using the screws and washers you removed earlier (Fig.10).
6. Pull the footrest actuator (cylinder) back into position, aligning it with the mounting point.
7. Replace the pin that holds the footrest actuator (cylinder) in place, then replace the C-clamp on the left-hand end of the pin (as you're facing the foot and calf massager) to secure it.
8. Reinstall the upholstered flap, by wrapping it around the massager frame and securing it using the hook and loop fasteners.
9. Reconnect the connector on the bottom right-hand side of the chair.
10. Replace the connector box cover and secure it, using a Phillips-head screwdriver and the two screws.
11. Install new zip ties to replace those you removed earlier, to secure the massager cabling to the chair base, out of sight.



(Fig.9)



(Fig.10)