

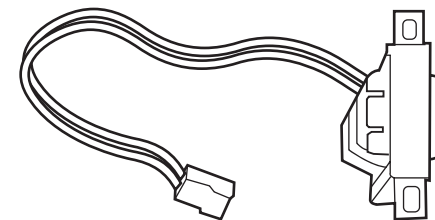
REPLACING THE CHOKE COIL

To ensure that Human Touch™ products are repaired in a manner that is fully consistent with the practices used during the manufacturing process, Human Touch requires that all product repairs are performed using only factory-new parts and in accordance with these product repair instructions.

SERVICE LEVEL: 4


Tools Required: Phillips-head Screwdriver, 4 mm (5/32") Allen Key, nail clipper or other instrument suitable for cutting zip ties

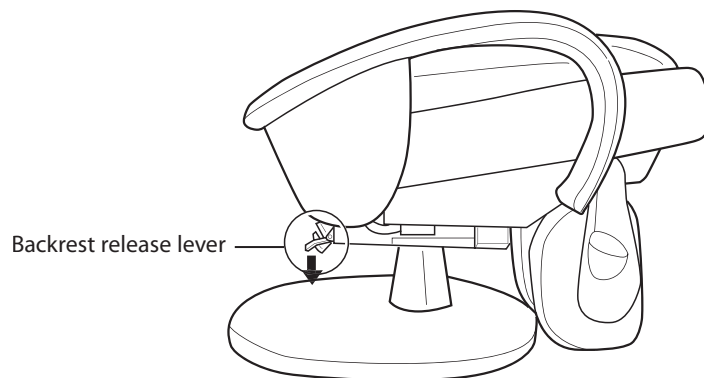
NOTE: SAVE ALL REMOVED PARTS FOR USE DURING REASSEMBLY



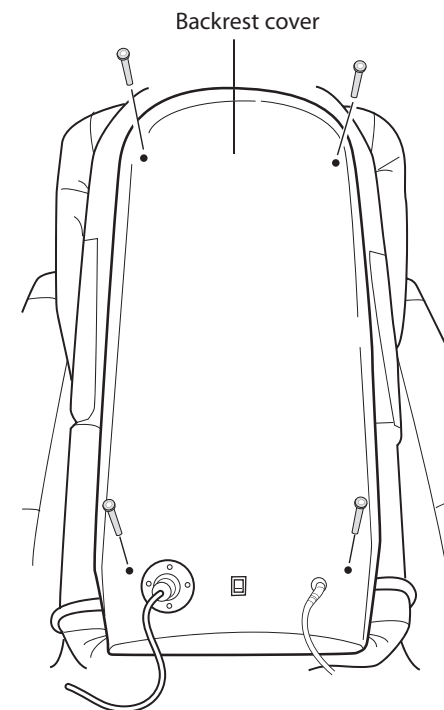
Choke coil

REMOVING THE CHOKE COIL

1. Unplug the chair from the wall outlet. 
2. Push down on the backrest release lever, then fold the backrest forward onto the chair seat (Fig.1).
3. Using a 4 mm (5/32") Allen Key, remove the four screws from the backrest cover (Fig.2).



(Fig.1)



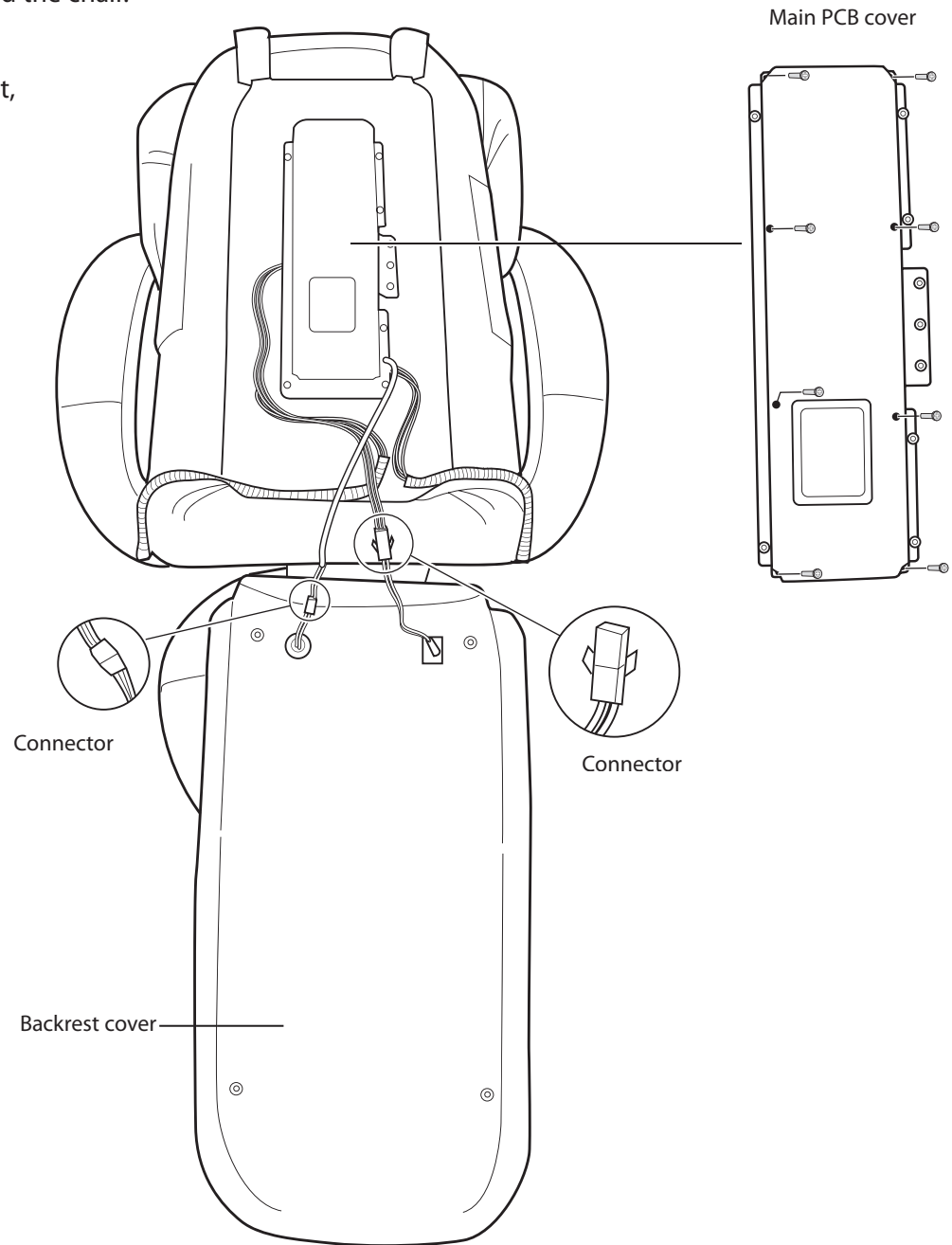
(Fig.2)

4. Lay the backrest cover carefully down onto the floor just behind the chair.

Be careful not to strain any wiring (Fig.3).

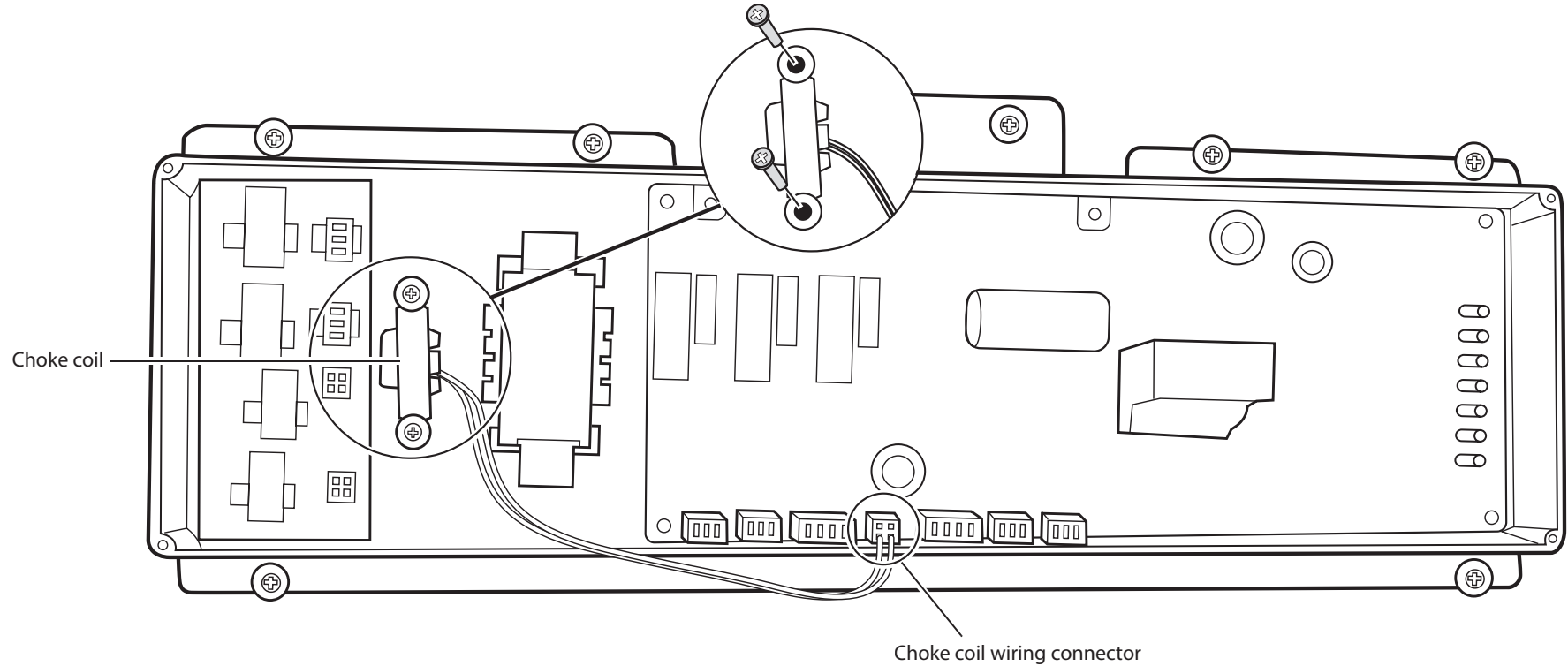
5. Disconnect both connectors located at the base of the backrest, then set the backrest cover aside.

6. Using a Phillips-head screwdriver, remove the eight screws from the cover that protects the main PCB, then remove the cover (Fig.3).



(Fig.3)

7. Locate the choke coil and follow the wires to the choke coil wiring connector. The connector is the smallest red connector on the left-hand side of the board (Fig.4).
8. Cut and remove any zip ties that may be securing the connector wires.
9. Disconnect the choke coil connector.
10. Using a Phillips-head screwdriver, remove the two screws and washers that secure the choke coil to the PCB (Fig.4).
11. Gently push the wiring aside, then remove the choke coil from the bracket that holds it.



(Fig.4)

REPLACING THE CHOKE COIL

1. Place the new choke coil into its bracket, then replace the two screws/washers you removed earlier, using a Phillips-head screwdriver.
2. Reconnect the red choke coil wiring connector to the PCB.
3. Place the PCB cover into position, then secure it using the eight screws you removed earlier.
4. Lay the backrest carefully down onto the floor just behind the chair, then reconnect both connectors at the base of the backrest.
5. Secure the backrest cover to the chair, using the four screws you removed earlier.
IMPORTANT: Be sure to use the two longer screws in the upper holes and the two shorter screws in the lower holes.
6. Pull up on the backrest to return it to an upright position.