


human touch[®]
 feel better[®]



ht135

WholeBody[®] Massage Chair

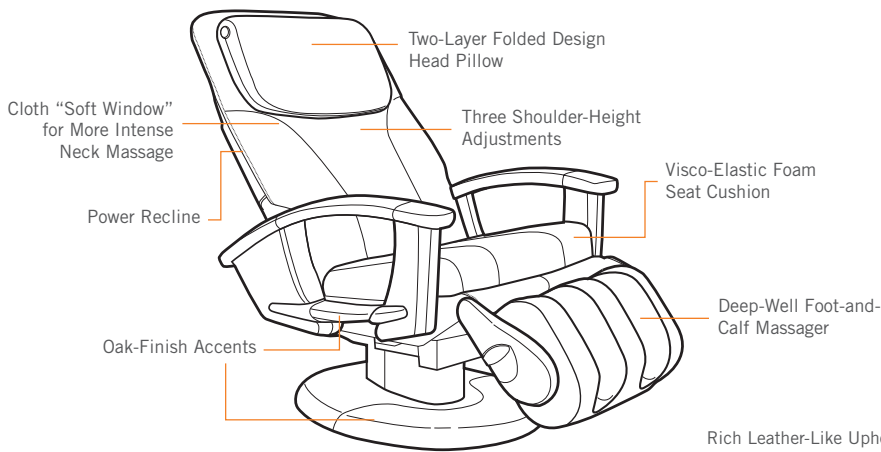


Stress, sore muscles and back pain come in many forms, but relief comes in one amazing package.

The Human Touch[®] WholeBody[®] HT-135 Massage Chair provides a relaxing massage that effectively alleviates stress, back pain and sore muscles, leaving you feeling invigorated and refreshed. In just 15 minutes per day, a massage from this remarkable chair can therapeutically boost your circulatory and immune systems, not to mention making you feel really, really good.

Take a seat in the luxuriously upholstered chair and indulge in any of three invigorating pre-programmed massage programs, which expertly incorporate the five techniques used by back and spinal care professionals. Focus the quad-roller massage where you need it most for targeted relief from your neck down to your lower back. Crafted with only the finest materials and advanced technology, the HT-135 is a beautiful addition to both your wellness regimen and your living room.

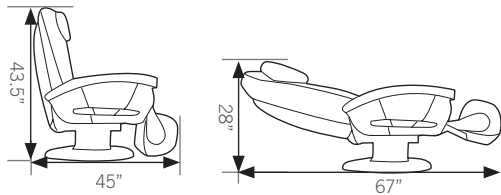
More Features for More Comfort



MASSAGE CONTROLLER – It's all at your fingertips



DIMENSIONS



- Rich Leather-Like Upholstery
- 5 Advanced Massage Techniques
- Full-Body Stretching

Part number: **HT-135-100-027 (Black)**
3-Year Limited Warranty

Relax. Recline. Rejuvenate.

The HT-135 contains some of the most advanced massage technology on the market in a beautiful, sleek form that provides a comfortable retreat from everyday stresses, and complements even the most sophisticated décor.



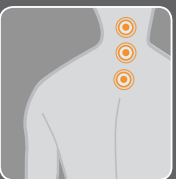
ROTATING MULTI-SPEED FOOT & CALF MASSAGER

Massaging calves in an upward, rolling motion, the rotating, multi-speed unit forces blood away from the feet toward the body's core, allowing fresh, nutrient-rich blood to re-enter the calves and feet for healing and soothing comfort. Only Human Touch offers this patented technology.



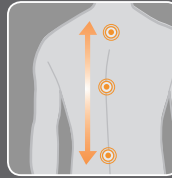
BODY-CONTOURING VISCO-ELASTIC FOAM SEAT CUSHION

A visco-elastic cushion molds to your body to relieve pressure points, providing a comfortable seating experience even when the chair is powered off.



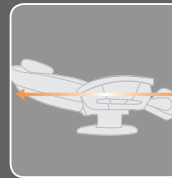
PENETRATING NECK MASSAGE

Simply removing the head pillow reveals an intelligently placed cloth window that enables the HT-135's advanced massage system to provide a closer, more intense neck massage.



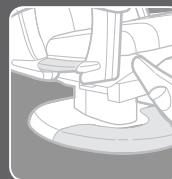
3 INVIGORATING MASSAGE PROGRAMS

Choose from 3 auto-massage programs, targeting the full, upper or lower back to relieve back pain, stress and muscle soreness.



FULL-BODY STRETCHING

As the foot-and-calf massage wells gently hold your legs, the HT-135 slowly reclines, stretching the spine to increase blood flow to the vertebrae and discs, effectively rejuvenating the lower back.



DESIGNER FINISHES AND RICH UPHOLSTERY

The HT-135's supple leather-like upholstery with upscale oak-finish accents makes a beautiful addition to any room.