

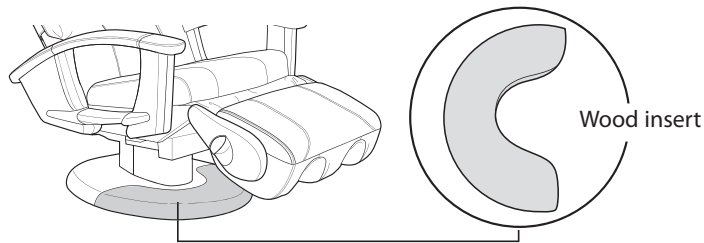
REPLACING THE CHAIR BASE WOOD INSERT

To ensure that Human Touch® products are repaired in a manner that is fully consistent with the practices used during the manufacturing process, Human Touch requires that all product repairs are performed using only factory-new parts and in accordance with these product repair instructions.

SERVICE LEVEL: 2

Tools Required: Large flat-head or Phillips-head screwdriver, small Phillips-head screwdriver

NOTE: SAVE ALL REMOVED PARTS FOR USE DURING REASSEMBLY

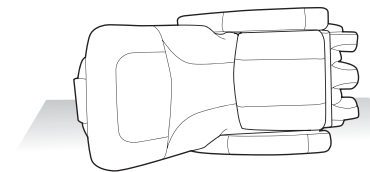


GET READY

1. Power off the chair and unplug it.



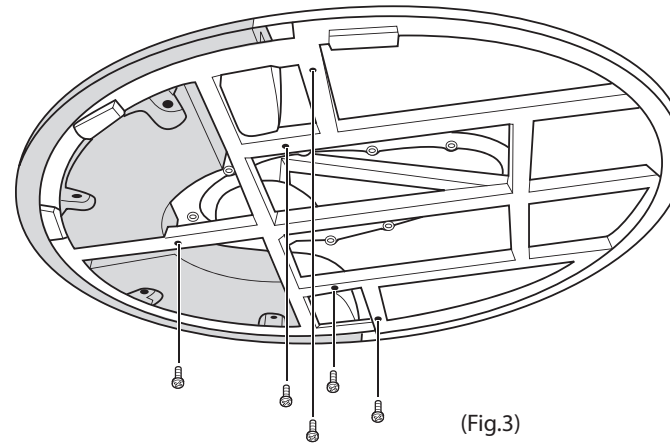
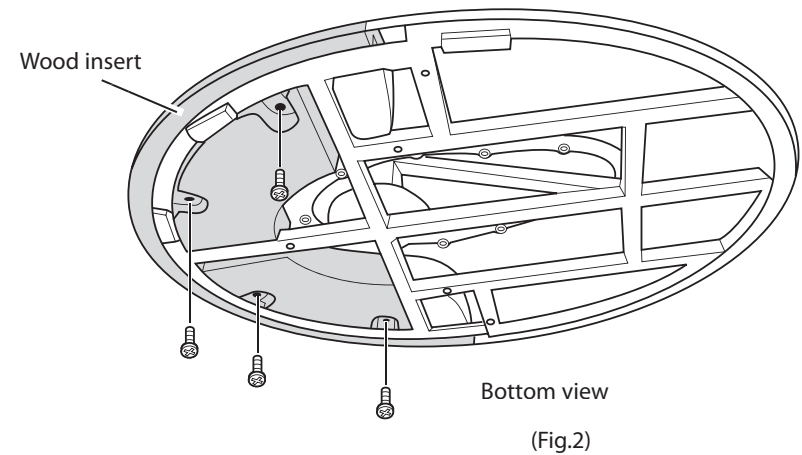
2. Using two people, turn the chair gently on its right-hand side (Fig.1).



(Fig.1)

REMOVING THE WOOD INSERT

1. Using a large flat-head or Phillips-head screwdriver, remove the four large screws from the bottom of the wood insert (Fig.2).
2. Using a small Phillips-head screwdriver, remove the five screws from the inner black metal frame (Fig.3).
3. Remove the wood insert.



INSTALLING THE NEW WOOD INSERT

1. Place the insert into position, aligning the screw holes with the corresponding holes in the chair frame.
2. Using a small Phillips-head screwdriver, replace the five screws you removed from the inner black metal frame.
HINT: Using your other hand to pull the top of the chair base toward you as you replace the screws makes it easier to align the screw holes.
3. Using a large flat-head or Phillips-head screwdriver, replace the four large screws you removed from the bottom of the wood insert.
4. Gently return the chair to an upright position.