

REPLACING THE MAIN PCB

To ensure that Human Touch[®] products are repaired in a manner that is fully consistent with the practices used during the manufacturing process, Human Touch requires that all product repairs are performed using only factory-new parts and in accordance with these product repair instructions.

SERVICE LEVEL: 4

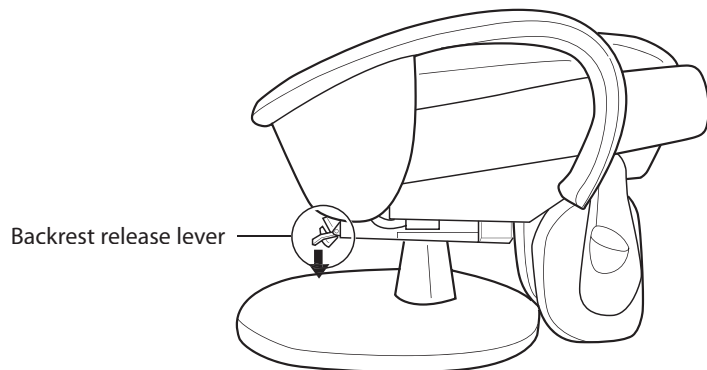
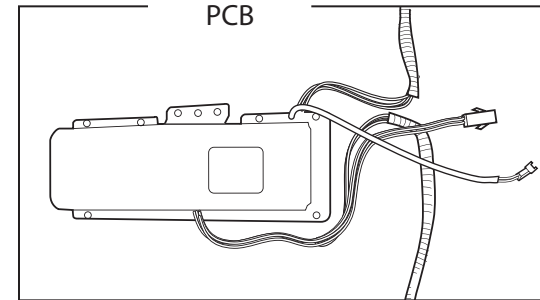
Tools Required: Phillips-head screwdriver, 4 mm (5/32") Allen key.

NOTE: SAVE ALL SCREWS FOR USE DURING REASSEMBLY.

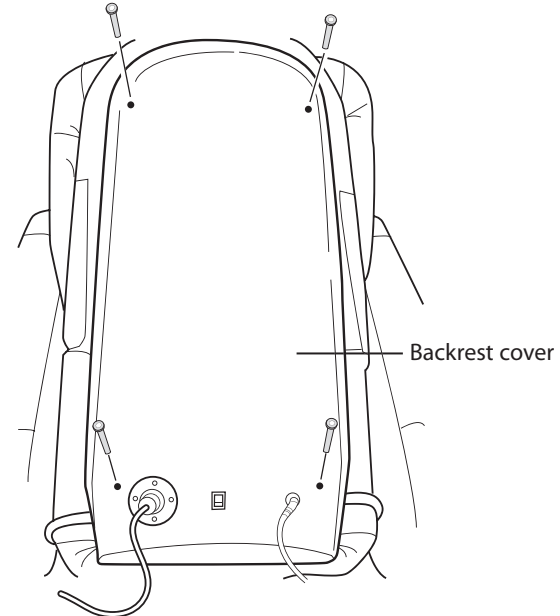
REMOVING THE MAIN PCB



1. Power off the chair and unplug it.
2. Push down on the backrest release lever, then fold the backrest forward onto the chair seat (Fig.1).
3. Using a 4 mm (5/32") Allen key, remove the four backrest cover screws (Fig.2).

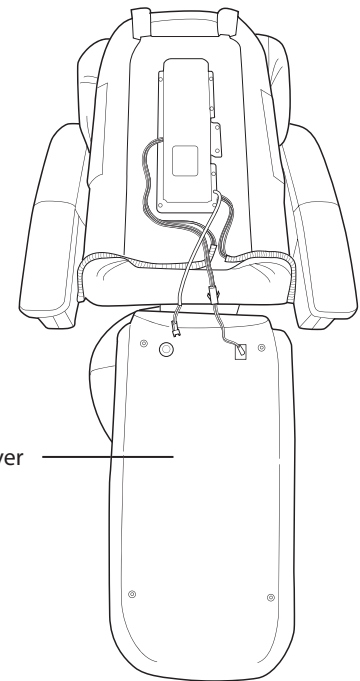


(Fig.1)



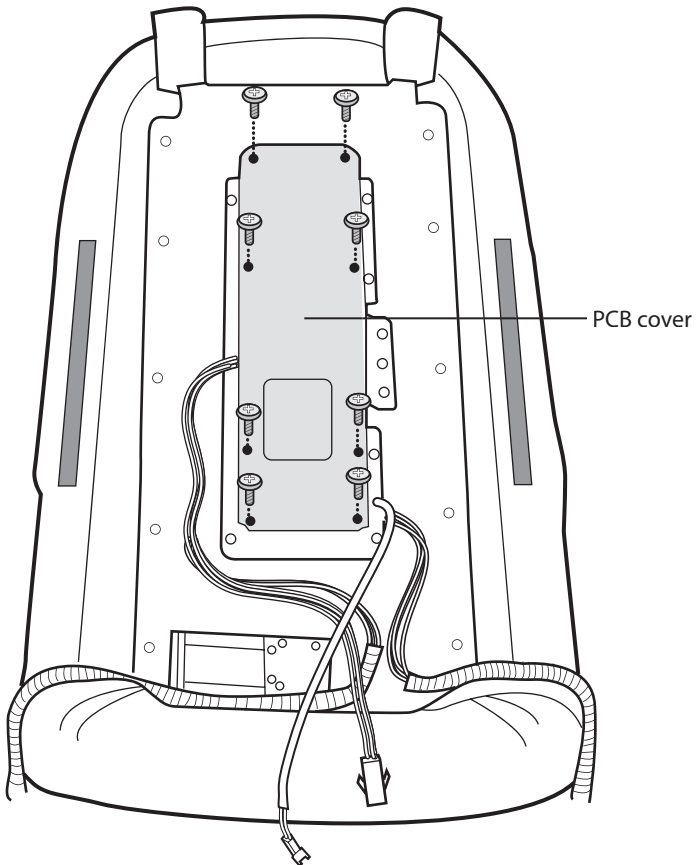
(Fig.2)

4. Tip the backrest cover backward then lay it carefully down on the floor behind the chair (Fig.3).
5. Using a Phillips-head screwdriver, remove the four screws on each side of the PCB cover that secure the cover to the base (Fig.4).
6. Disconnect all cable connectors from the PCB. **IMPORTANT:** Do not cut any of the zip ties that secure the cables, as the zip ties retain the cables in the correct location for reconnection to the new PCB.
7. Using a Phillips-head screwdriver, remove the screws from each corner of the PCB, and the three screws on the metal plate on the right-hand side of the PCB (Fig.5).
8. Remove the PCB from the backrest.

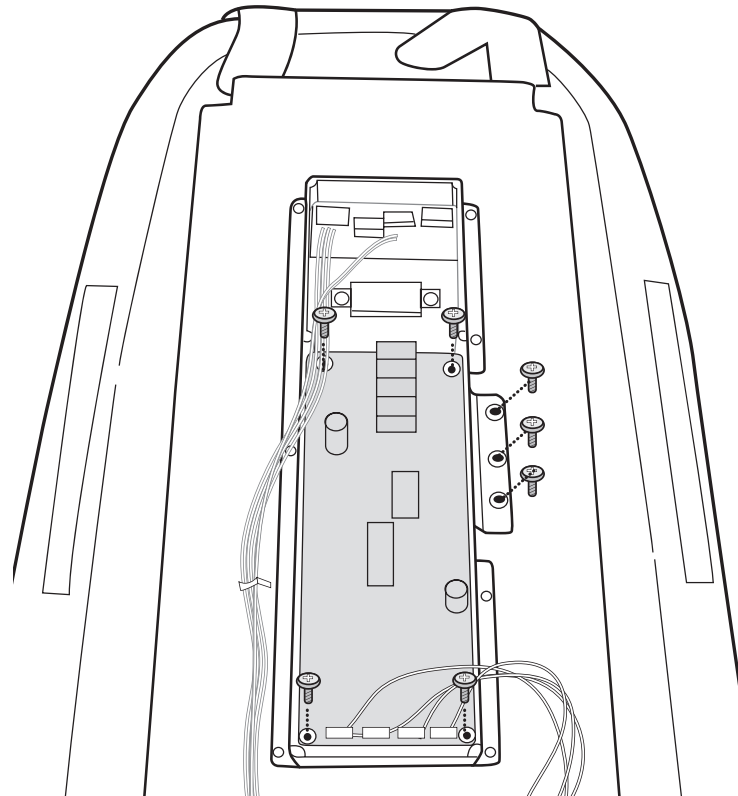


Backrest cover

(Fig.3)



(Fig.4)



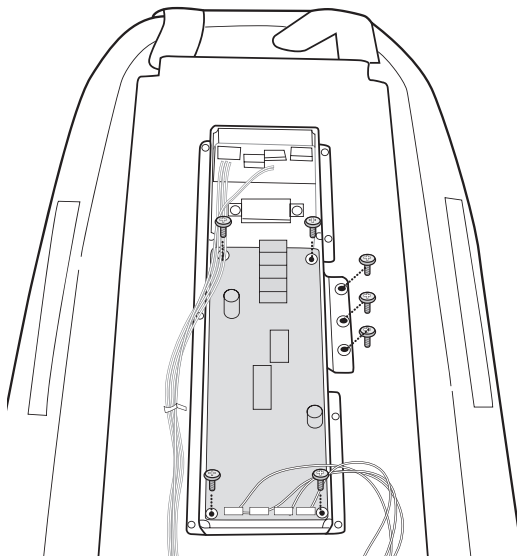
(Fig.5)

INSTALLING THE NEW PCB

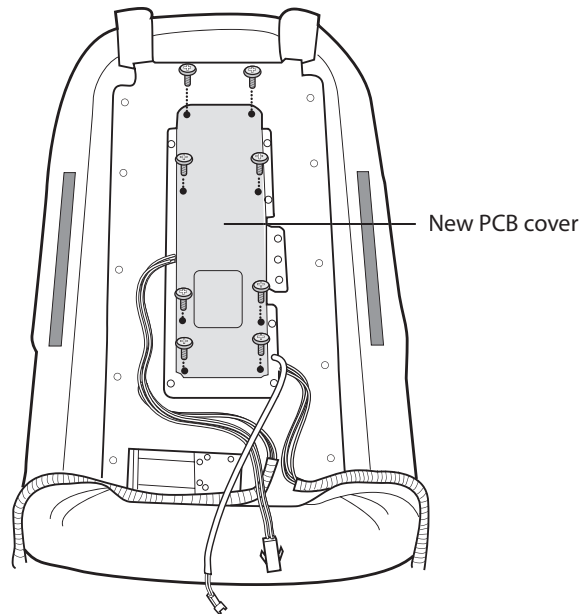
1. Place the PCB into position, then replace the four screws that secure each corner of the PCB to the backrest (Fig.6).
2. Replace the three screws that secure the metal plate on the right-hand side of the PCB to the backrest (Fig.6).
3. Reconnect each cable connector to the corresponding PCB connector. You can easily match the connectors by noting the connector color and the number of cables each contains.
4. Replace the PCB cover, and secure it using the eight screws (Fig.7).
5. Place the backrest cover into position, aligning the four screw holes (Fig.8).
6. Using a 4 mm (5/32") Allen key, replace the four backrest screws.

NOTE: Be sure to use the two longer screws in the upper screw holes and the two shorter screws in the lower screw holes.

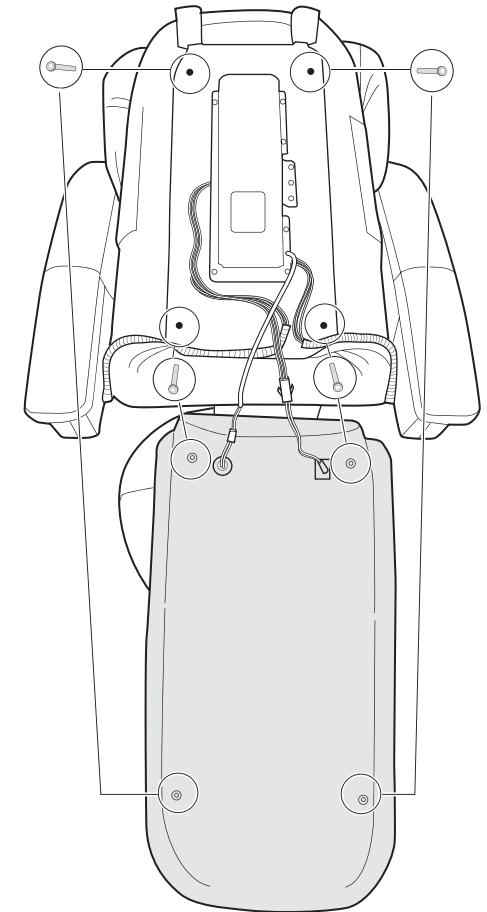
7. Pull up on the backrest to return it to a full upright position.
8. Plug in the chair, power it on, and verify that the chair is receiving power and that all massage functions are now working properly.



(Fig.6)



(Fig.7)



(Fig.8)