

REPLACING THE REMOTE CONTROL

To ensure that Human Touch® products are repaired in a manner that is fully consistent with the practices used during the manufacturing process, Human Touch requires that all product repairs are performed using only factory-new parts and in accordance with these product repair instructions.

SERVICE LEVEL: 1

Tools Required: Phillips-head screwdriver

NOTE: SAVE ALL REMOVED PARTS FOR USE DURING REASSEMBLY

REMOVING THE REMOTE CONTROL

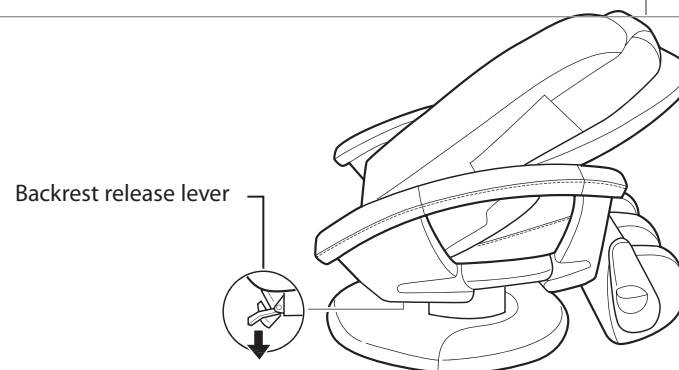


1. Power off the chair and unplug it.
2. Push down on the backrest release lever, then fold the backrest forward onto the chair seat (Fig.1).
3. Locate the remote control bracket on the back of the backrest (Fig.2).
4. Using a Phillips-head screwdriver, remove the four screws that secure the remote control bracket to the backrest cover.
5. Pull the remote control cables through the backrest cover, then disconnect the connectors.

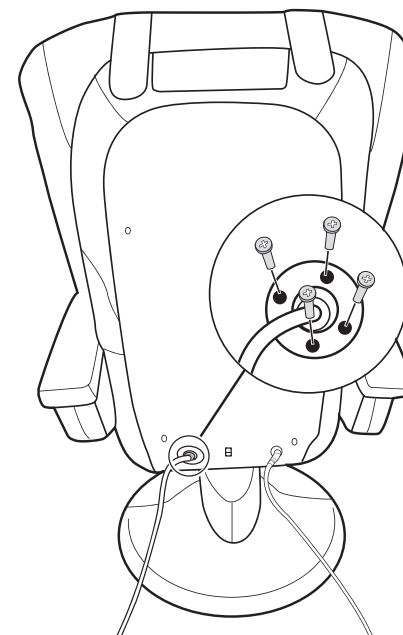
NOTE: Be sure the backrest remote control connector does not fall back into the backrest. If it does, remove the backrest by removing the four backrest screws, using a 4 mm (5/32") Allen key.

INSTALLING THE NEW REMOTE CONTROL

1. Connect the new remote control connector to the backrest remote control connector, then push the cables into the backrest.
2. Using a Phillips-head screwdriver, replace the four remote control bracket screws.
3. Power on the chair and verify that the new remote control works.



(Fig.1)



(Fig.2)