

REPLACING THE BACKREST COVER

It is imperative that Human Touch[®] products are repaired in a manner that ensures product safety and regulatory compliance and that is fully consistent with the practices used during the manufacturing process. Therefore, Human Touch requires that all product repairs are performed using only factory-new parts and in accordance with these repair instructions. Failure to adhere to these instructions voids the product warranty and releases Human Touch from all liability for injury or product damage resulting from the repair.

SERVICE LEVEL: 3

Tools Required: Phillips-head screwdriver, pliers, small hammer, 4 mm (5/32") Allen key (extended length preferred). **NOTE:** SAVE ALL SCREWS FOR USE DURING REASSEMBLY.

CAUTION! You will need at least two people to complete this procedure, as the chair is very heavy. Be sure you have enough people to lift and move the chair, to prevent injury.



(Fig.1)

GET READY

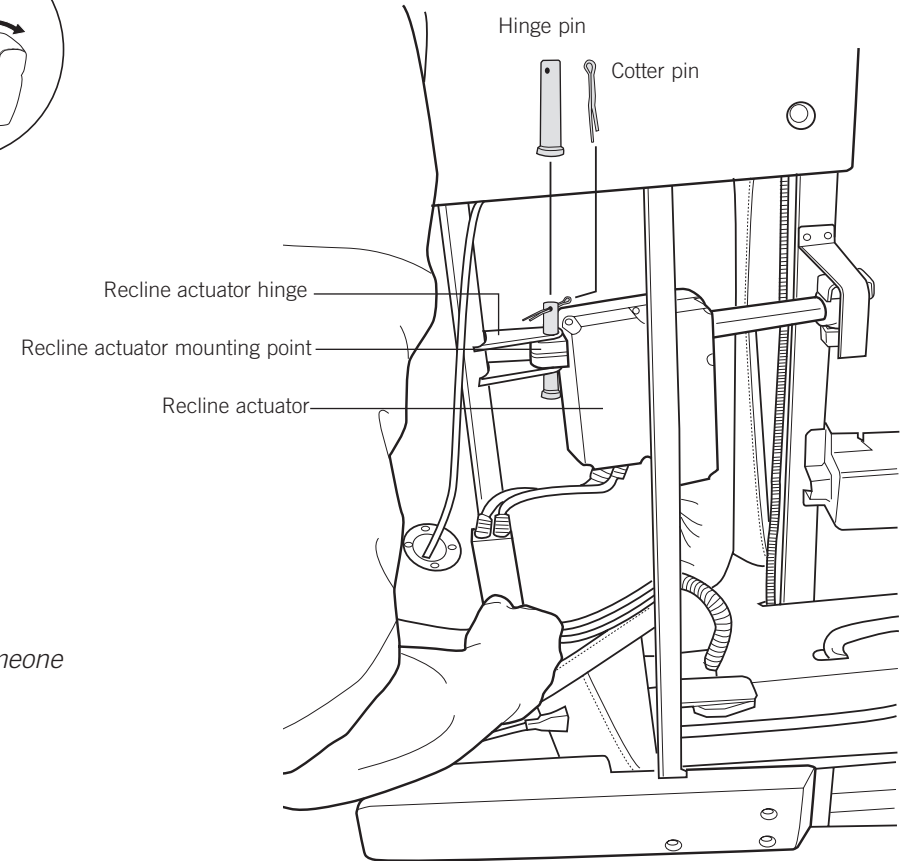
1. Plug the chair into a grounded 110-Volt outlet and turn it on.
2. Use the remote control to raise the backrest to its full upright position.
3. Turn off the chair and unplug it.
4. Using two or more people, stand on the same side of the chair and, lifting with your knees, turn the chair gently on its side (Fig.1).

REMOVING THE BACKREST COVER

Disconnect the Recline Actuator

NOTE: Once you disconnect the recline actuator, the backrest will swing freely. Have someone hold the backrest in place, or place a heavy object behind it, to prevent it from swinging toward you and interfering with the backrest cover removal.

1. Remove the recline actuator cotter pin using a pliers, by straightening out the two ends of the cotter pin and pulling it through the hinge pin (Fig.2).
2. Remove the recline actuator hinge pin using a pliers (or small hammer if necessary) to free it from the hinge.
3. Pull the recline actuator mounting point out of the hinge, and gently push the recline actuator out of the way.

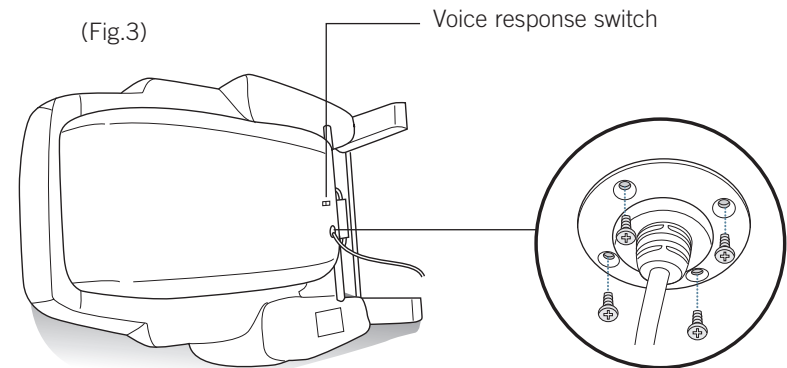


(Fig.2)

The recline actuator in place underneath chair
Left side of the chair is on the floor

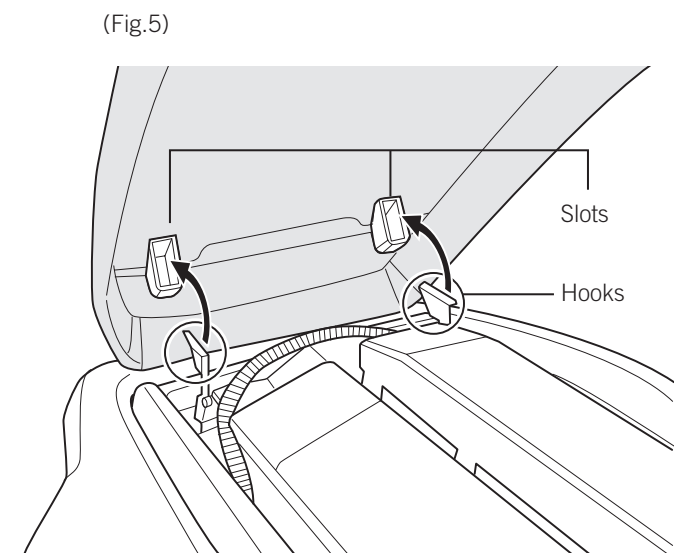
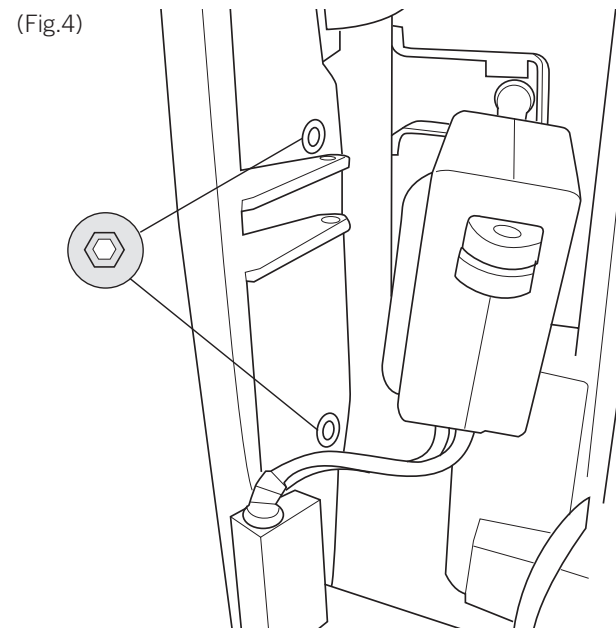
Remove the Remote Control

1. Locate the remote control cable at the bottom center of the backrest.
2. Remove the four screws that hold the remote control cable bracket in place, using a Phillips-head screwdriver (Fig.3).
3. Pull the bracket and cable out of the backrest until the connectors are visible.
4. Disconnect the remote control.



Remove the Backrest Cover

1. Remove the two hex screws located at the bottom of the backrest using a 4 mm Allen key (Fig.4).
2. Remove the cover by lifting upwards on the bottom, and pushing it up toward the top to separate the slots on the cover from the hooks on the backrest (Fig.5).
3. Lift the cover from the just enough to expose the voice response switch cables, then disconnect the cables.
4. Remove the backrest cover from the hinges.



INSTALLING THE NEW BACKREST COVER

Attach the Backrest Cover

1. Line up the top of the backrest cover slots with the hooks on the backrest.
2. Feed the remote control cable through the hole in the backrest and reconnect it.
3. Connect the voice response cables.
4. Standing at the bottom of the backrest, grasp the sides of the cover and pull the bottom edge of the cover until the slots are completely on the hooks.
5. Push the bottom of the cover down and firmly into place against the backrest while replacing the two hex screws, to ensure that the screws reach the screw holes on the backrest.

HINT: You may want to install the screws into the backrest cover just enough to hold them in place, before pressing the cover into position.

Replace the Remote Control

1. Push the remote control cables into the backrest.
2. Replace the remote control cable bracket, using a Phillips-head screwdriver and the four screws you removed earlier.

Reconnect the Recline Actuator

1. Gently raise the recline actuator back into position, aligning the mounting point with the recline actuator hinge (Fig 2).
2. Replace the recline actuator hinge pin, using a small hammer.
3. Replace the recline actuator cotter pin, then use a pliers to bend the two ends back toward the hinge pin to avoid damaging the chair upholstery.

