

REPLACING THE WOOD FEET

To ensure that Human Touch® products are repaired in a manner that is fully consistent with the practices used during the manufacturing process, Human Touch requires that all product repairs are performed using only factory-new parts and in accordance with these product repair instructions.

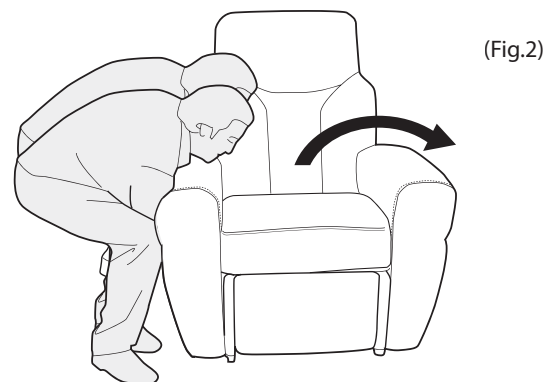
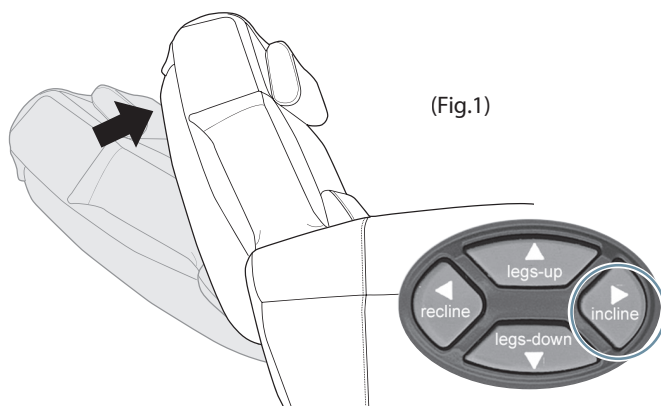
SERVICE LEVEL: 1

Tools Required: Phillips-head screwdriver, 6 mm Allen key, and two people.

NOTE: SAVE ALL REMOVED PARTS FOR USE DURING REASSEMBLY

GET READY

1. Use the remote control to raise the backrest to the full upright position (Fig.1).
2. Power off the chair and unplug it.
3. Using two or more people, tip the chair gently over onto the side opposite the side of the foot being replaced, so the foot being replaced is on top (Fig.2).



REPLACING A FRONT FOOT

1. Remove the screws from the foot, using a 6 mm hex wrench (Fig.3).
2. Remove the foot from the chair.
3. Position the new foot, and replace the screws.
4. Using two or more people, return the chair to its upright position.
5. Plug in the chair and power it back on.

REPLACING A REAR FOOT

1. Remove the nine screws that hold the rear plate to the foot, using a Phillips-head screwdriver.
2. Remove the foot from the chair.
3. Remove the three hex screws, using a 6 mm hex wrench.
4. Position the new foot, and replace the three hex screws.
5. Replace the nine Phillips screws, using a Phillips-head screwdriver.
6. Using two or more people, return the chair to its upright position.
7. Plug in the chair and power it on.

