



## REPLACING THE BACKREST

To ensure that Human Touch® products are repaired in a manner that is fully consistent with the practices used during the manufacturing process, Human Touch requires that all product repairs are performed using only factory-new parts and in accordance with these product repair instructions.


SERVICE LEVEL: 2

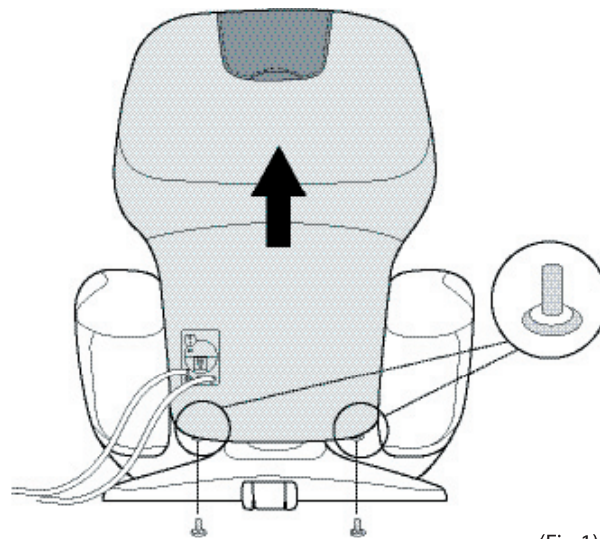
NOTE: SAVE ALL REMOVED PARTS FOR USE DURING REASSEMBLY

### REMOVING THE BACKREST FROM THE CHAIR BASE

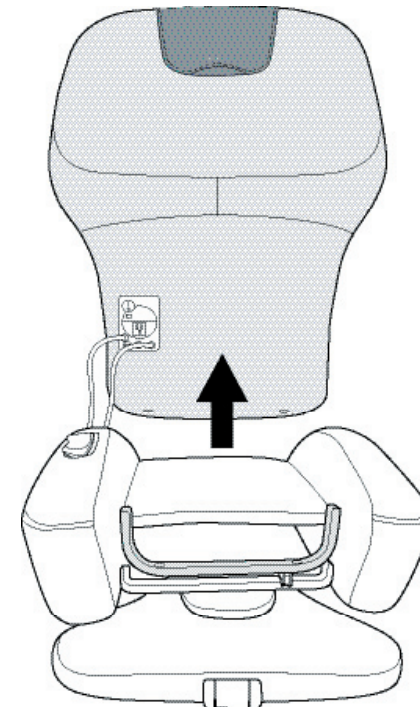
1. Power off the chair and unplug it.
2. Remove the two screw knobs from the bottom of the backrest.
3. Lift the backrest up and off the chair base.



 **CAUTION:** The backrest is heavy. You may want to use two people to lift it off the chair base.



(Fig.1)



## INSTALLING THE NEW BACKREST ONTO THE CHAIR BASE

**⚠ CAUTION:** Be sure all cords and fingers are out of the way before installing the backrest, to avoid damage or injury.

1. Align the two guides on the lower sides of the backrest with the track on the chair base, then slide the backrest firmly onto the chair base (Fig.2).
2. From the bottom of the backrest, install and hand-tighten the two screw knobs.

**⚠ CAUTION:** Make sure that the two screw knobs are installed and tightened before using the chair.

