

REPLACING THE BACKREST ACTUATOR

To ensure that Human Touch® products are repaired in a manner that is fully consistent with the practices used during the manufacturing process, Human Touch requires that all product repairs are performed using only factory-new parts and in accordance with these product repair instructions.

SERVICE LEVEL: 3

Tools Required: Small Phillips-head screwdriver, short-handled Phillips-head screwdriver

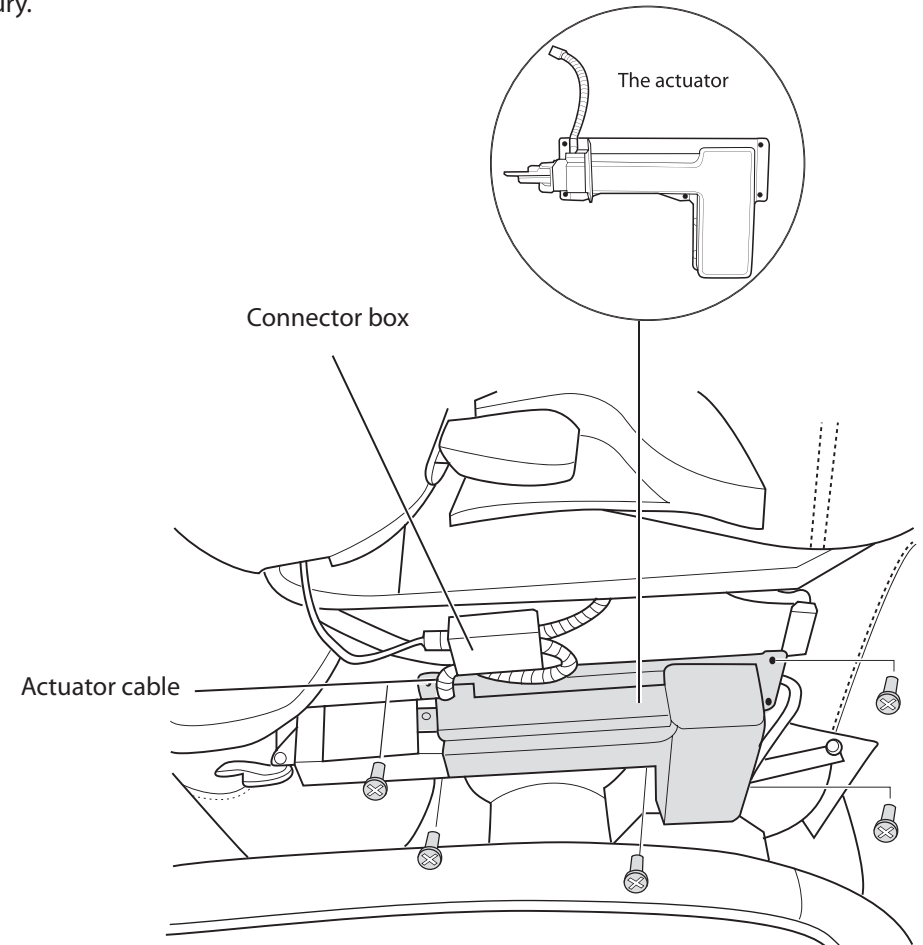


CAUTION! You will need at least two people to complete this procedure, as the chair is very heavy. Be sure you have enough people to lift and move the chair, to prevent injury.

SAVE ALL REMOVED PARTS FOR USE DURING REASSEMBLY

REMOVING THE ACTUATOR

1. Power off the chair, then unplug it.
2. Using two people, gently tip the chair onto its left-hand side.
3. Locate the connector box underneath the chair (Fig.1).
4. Using a small Phillips-head screwdriver, remove the two screws that secure the connector box cover, then remove the cover.
5. Disconnect the cable inside.
6. Using a short-handled Phillips-head screwdriver, remove the five recline actuator screws (and their lock/flat washers) (Fig.1).
NOTE: A short-handled screwdriver helps ensure that you can maintain a straight angle, so you do not strip the screws.
7. Press the backrest release lever on the back of the chair to release the actuator from the backrest.
7. Remove the actuator from the chair base.



NOTE: View of actuator with chair upside-down

(Fig.1)

INSTALLING THE NEW ACTUATOR

1. Place the actuator into position on the bottom of the chair base, lining up all five holes. NOTE: The backrest may have shifted after the actuator was removed, so you may need to adjust it slightly to line up the holes.
2. Replace each of the five screws and hand-tighten.
3. Secure the screws using a short-handled Phillips-head screwdriver.
4. Reconnect the actuator cable.
5. Position the actuator cable connectors inside the connector box, with the cables resting in the cable guides.
6. Replace the connector box cover, using a small Phillips-head screwdriver and the two screws you removed earlier.
7. Using two people, gently return the chair to an upright position. The actuator automatically re-engages the backrest lever.
8. Power on the chair and verify that the new actuator works.