



# REPLACING THE BACKREST ACTUATOR

To ensure that Human Touch<sup>®</sup> products are repaired in a manner that is fully consistent with the practices used during the manufacturing process, Human Touch requires that all product repairs are performed using only factory-new parts and in accordance with these product repair instructions.

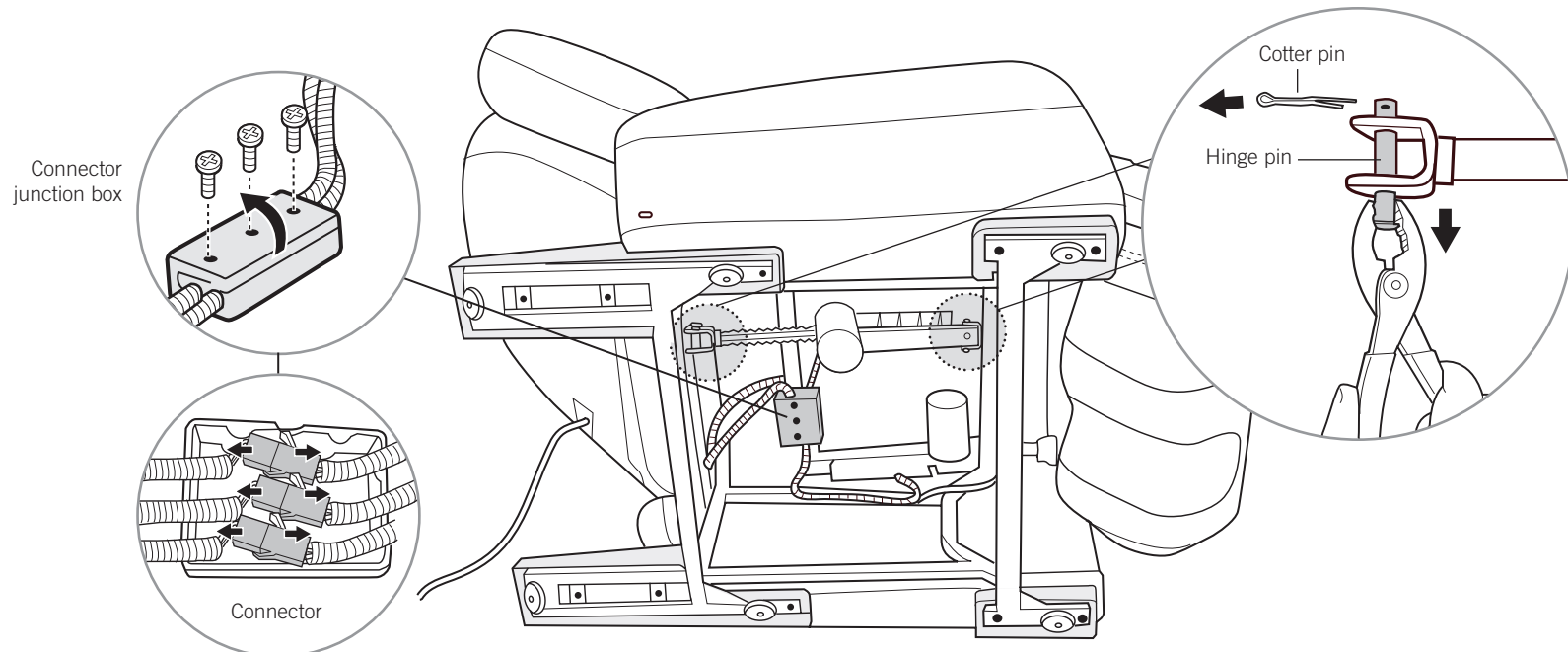
SERVICE LEVEL: 3

**Tools Required:** Needle-nosed pliers, pliers, Phillips-head screwdriver, flat-head screwdriver, small hammer, nail clipper or other instrument suitable for cutting zip ties, new zip ties.

**NOTE:** SAVE ALL SCREWS FOR USE DURING REASSEMBLY.

## REMOVING THE BACKREST ACTUATOR

1. Power off the chair then unplug it.
2. Gently tip the chair onto its left-hand side (Fig.1).
3. Using a Phillips-head screwdriver, remove the three screws that secure the connector junction box cover, then remove the cover (Fig.1).
4. Follow the cable harness from the backrest actuator to the connector junction box, then disconnect the two backrest actuator connectors (Fig.1).
5. Using a nail clipper, or other instrument suitable for cutting zip ties, remove all zip ties that secure the backrest actuator cable harness.
6. Locate the left-hand backrest actuator hinge pin, then use a needle-nosed pliers to remove the cotter pin from the top of the pin (Fig.1).
7. Insert a flat-head screwdriver between the hinge pin head and the mounting bracket, then use the screwdriver as leverage to pry the pin out of the hinge.
8. Use a pliers to remove the pin from the hinge.
9. Locate the right-hand backrest actuator hinge pin, then repeat steps 3 – 5 to remove the hinge pin from the hinge.
10. Remove the backrest actuator from the chair.



(Fig.1)

## INSTALLING THE NEW BACKREST ACTUATOR

1. Align the new actuator left-hand hinge with the mounting bracket, then replace the hinge pin, pushing it in as far as it will go using your fingers.
2. Repeat step 1 to install the right-hand hinge pin.
3. Use a small hammer tap the left-hand hinge pin completely through the hinge, until the pin head is flush with the mounting bracket.
4. Replace the cotter pin on the top end of the hinge pin, to secure it.
5. Repeat steps 3 and 4 to install the right-hand hinge pin.
6. Connect the new actuator cable harness to the corresponding connector from the backrest.
7. Position the cables inside the connector junction box, replace the junction box cover, then secure it using the three screws.
8. Replace the zip ties you removed earlier, to secure the cable harnesses to the bottom of the chair.
9. Gently return the chair to the upright position.
10. Plug in the chair, power it on, then verify that the backrest actuator is now working properly.