

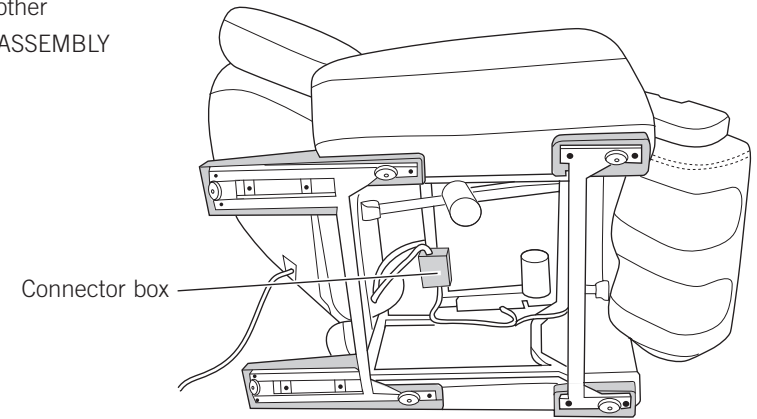
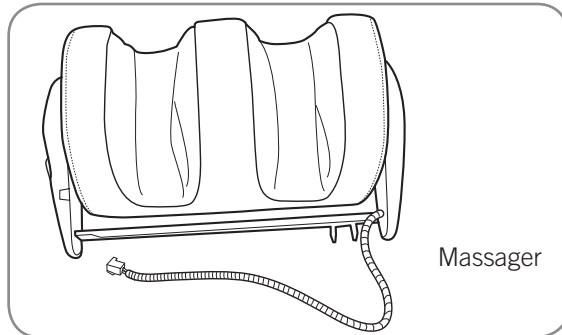


# REPLACING THE FOOT AND CALF MASSAGER

To ensure that Human Touch® products are repaired in a manner that is fully consistent with the practices used during the manufacturing process, Human Touch requires that all product repairs are performed using only factory-new parts and in accordance with these product repair instructions.


SERVICE LEVEL: 2

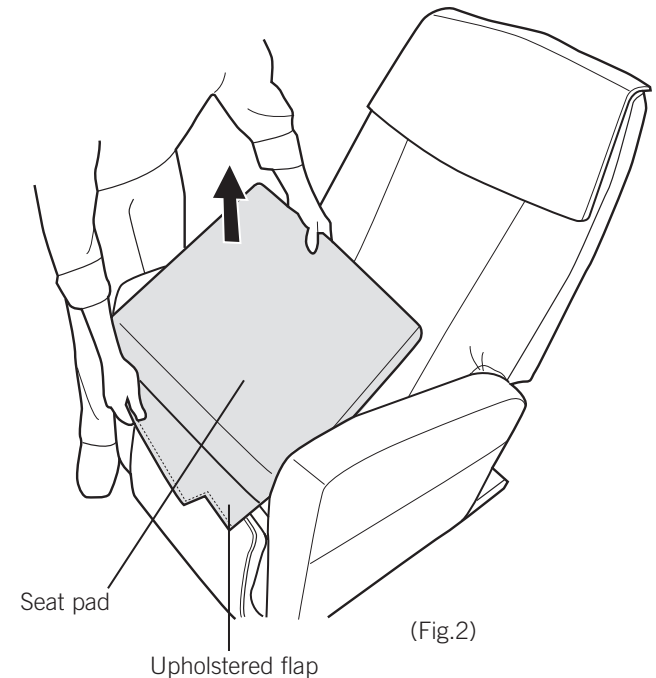
**Tools Required:** Phillips-head screwdriver, flat-head screwdriver, vice grip, small hammer, pliers, nail clipper or other instrument suitable for cutting zip ties, new zip ties. **NOTE:** SAVE ALL REMOVED PARTS FOR USE DURING REASSEMBLY



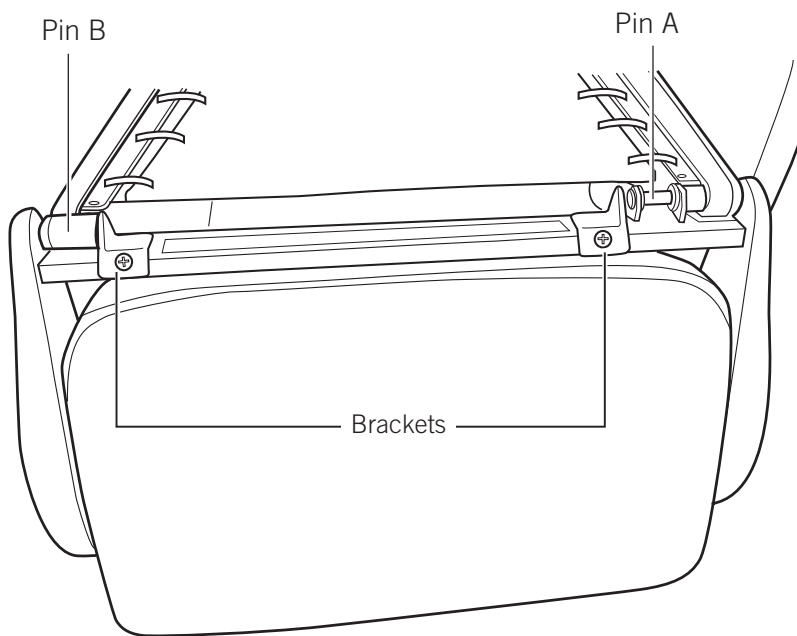
(Fig.1)

## REMOVING THE FOOT AND CALF MASSAGER

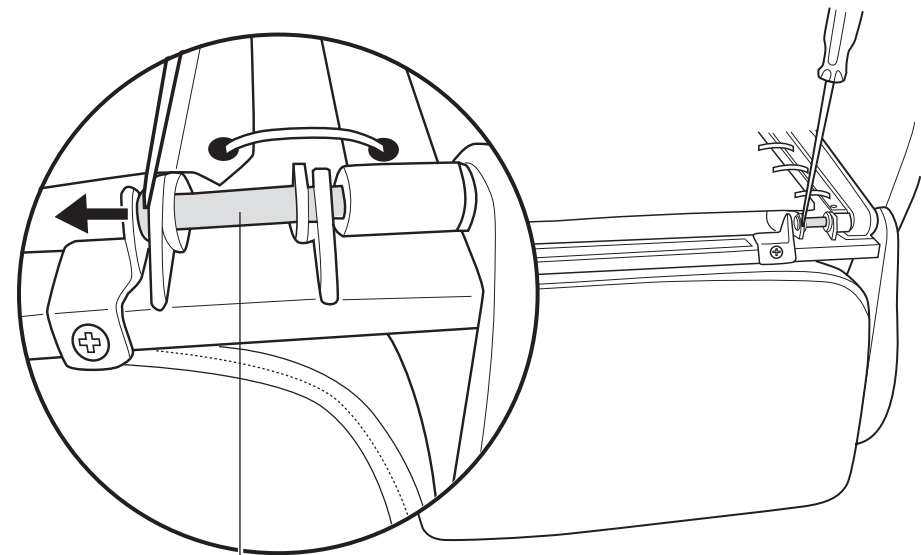
1. Power off the chair and unplug it. 
2. Gently tip the chair onto its side, then locate the connector junction box in the bottom center of the chair. (Fig.1).
3. Using a Phillips-head screwdriver, remove the two screws that secure the connector box cover, remove the cover, then disconnect the foot and calf massager connector (follow the cable harness from the foot and calf massager to identify the proper connector).
4. Using a nail clipper, or other suitable instrument, cut any zip ties that secure the foot and calf massager cable harness to the chair. **NOTE:** Be careful not to cut the wire casing.
5. Gently return the chair to the upright position.
6. Standing in front of the foot and calf massager, detach the upholstered flap that covers the massager frame, then detach the seat pad from the chair base (Fig.2).



7. Remove the two screws from the two brackets on the front of the foot and calf massager frame.
8. Use a flat-head screwdriver to loosen Pin A, by inserting the screwdriver between the pin head and the bracket then using the screwdriver as leverage to push the pin head away from the bracket (Fig.4).



(Fig.3)

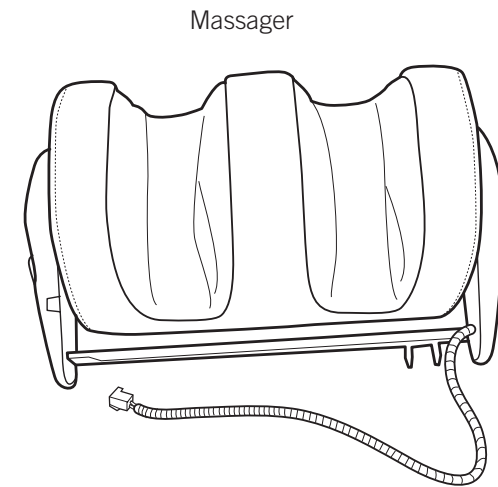
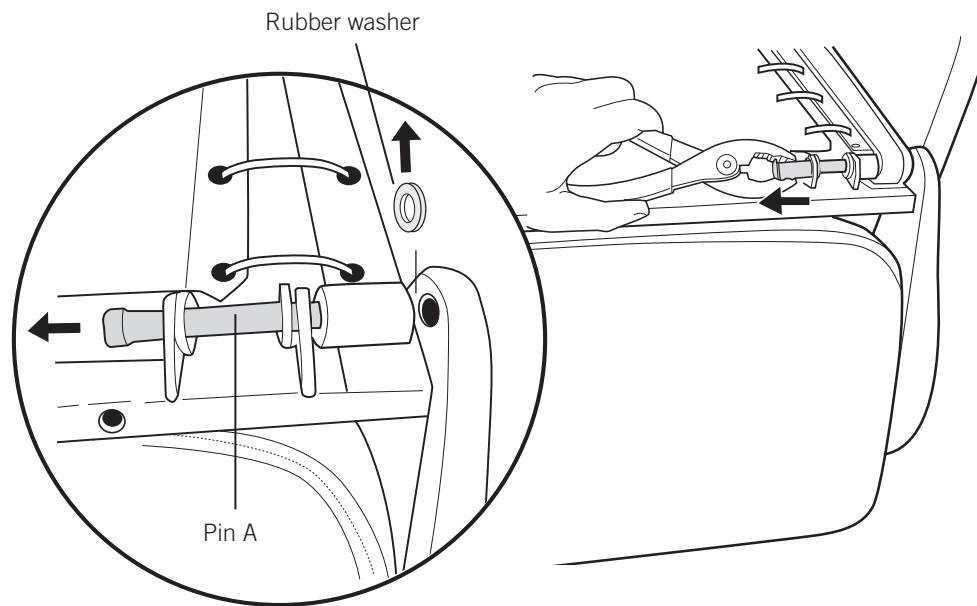


(Fig.4)



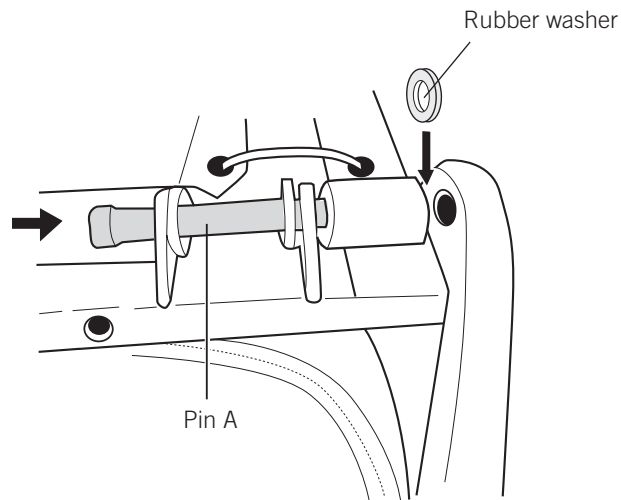
Pin A

9. Using a pliers, remove Pin A from the bracket (Fig.5). As the pin is removed, a washer installed on the right-hand end of the pin will fall to the floor. Be sure to save this washer for use during reassembly.
10. Using a nail clipper or other suitable instrument, cut and remove any remaining zip ties that secure the foot and calf massager cabling to the chair.
11. Pull the foot and calf massager toward you, then to the right, to free it from the chair. Remove the massager from the chair (Fig.6).

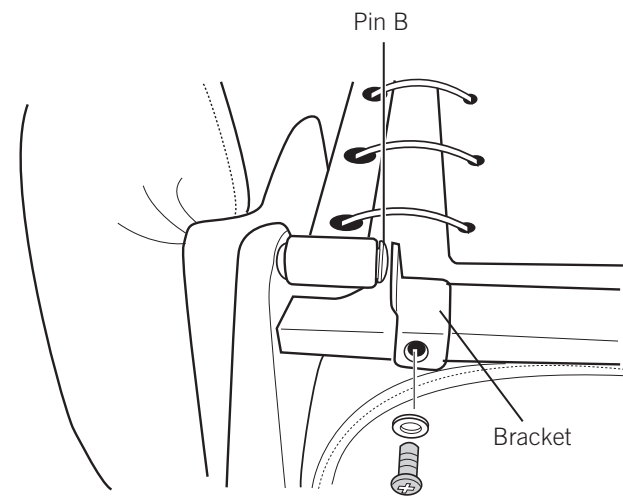


## INSTALLING THE NEW FOOT AND CALF MASSAGER

1. Place the new massager into position, lining up the actuator bracket with the mounting point on the foot and calf massager, then insert pin A (Fig.7).
2. Insert the rubber washer between the chair frame and the inside of the foot and calf massager side panel. (Fig.7).
3. Repeat steps 1 and 2 to install Pin B.
4. Use a small hammer to completely install Pin A and Pin B until both pins are flush with the bracket.
5. Using a Phillips-head screwdriver, replace the two brackets on the front of the massager frame and secure them using the two screws/washers (Fig.9).
6. Reinstall the upholstered flap, by wrapping it around the massager frame and securing it using the hook and loop fasteners.
7. Gently tip the chair onto its side, then connect the foot and calf massager connector to the corresponding connector at the junction box.
8. Replace the connector box cover and secure it, using a Phillips-head screwdriver and the two screws.
9. Install new zip ties to replace those you removed earlier, to secure the massager cabling to the chair base, out of sight.



(Fig.7)



(Fig.9)