



REPLACING THE FOOT AND CALF MASSAGER ACTUATOR

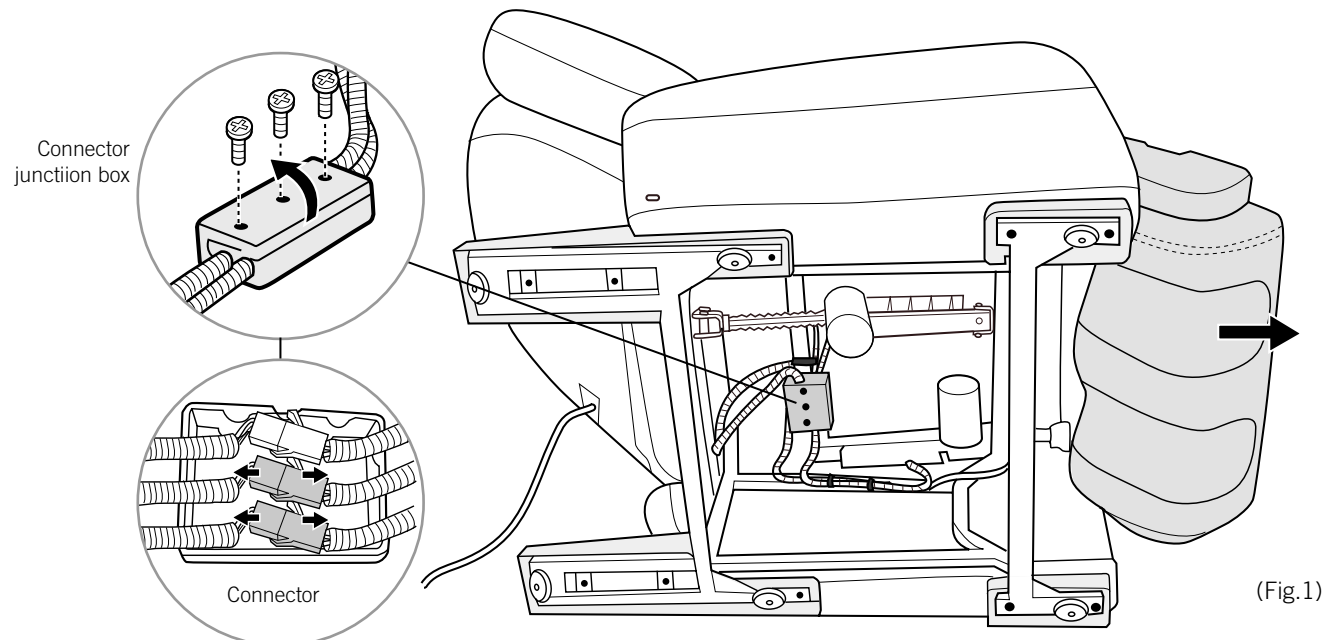
To ensure that Human Touch® products are repaired in a manner that is fully consistent with the practices used during the manufacturing process, Human Touch requires that all product repairs are performed using only factory-new parts and in accordance with these product repair instructions.

SERVICE LEVEL: 3

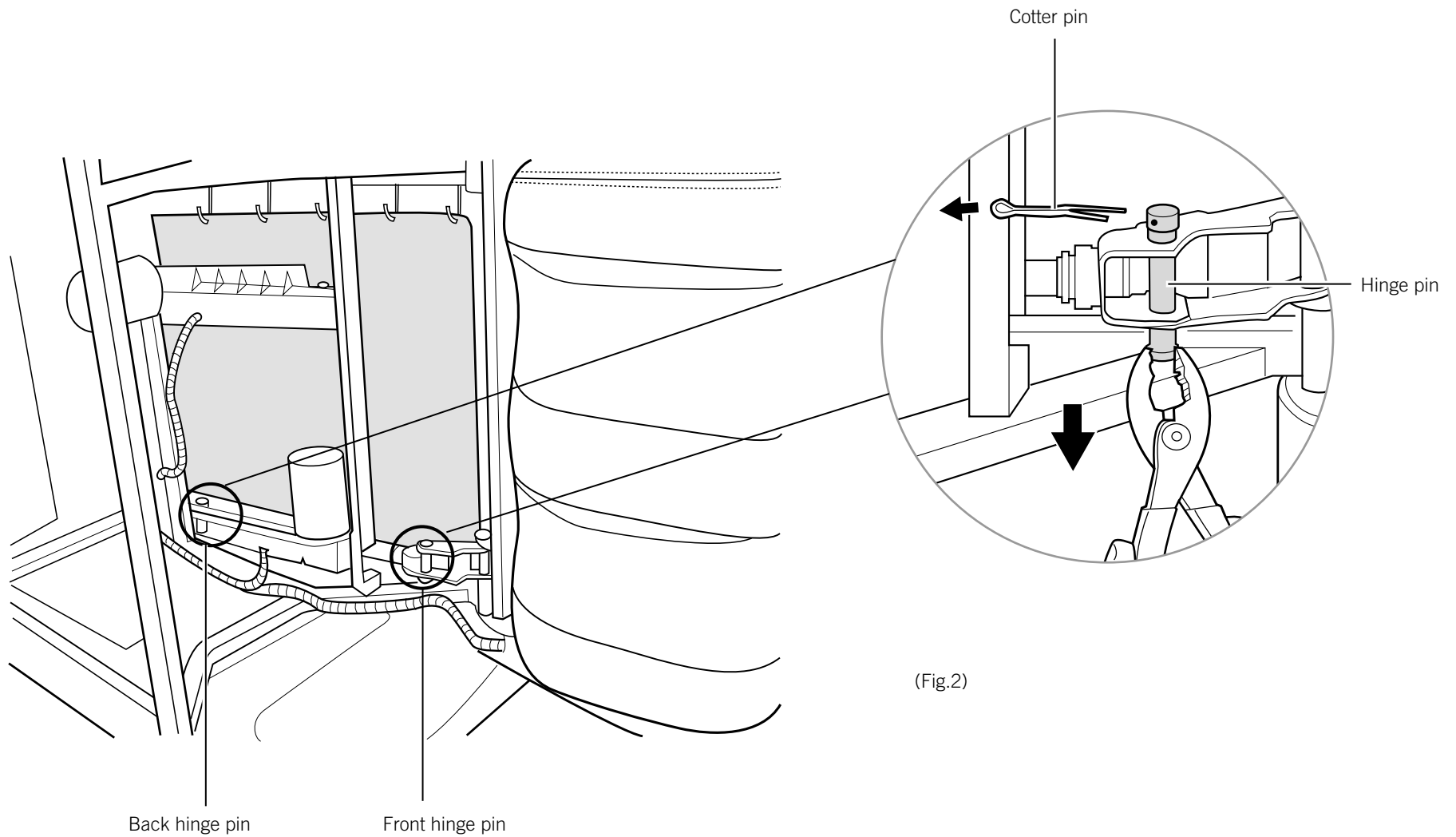
Tools Required: Needle-nosed pliers, pliers, Phillips-head screwdriver, flat-head screwdriver, small hammer, nail clipper or other instrument suitable for cutting zip ties, new zip ties. **NOTE:** SAVE ALL REMOVED PARTS FOR USE DURING REASSEMBLY

REMOVING THE FOOT AND CALF MASSAGER ACTUATOR

1. Power off the chair and unplug it.
2. Gently tip the chair onto its left-hand side, then manually push the foot and calf massager away from the chair, to provide easier access to the front end of the foot and calf massager actuator (Fig.1).
3. Using a Phillips-head screwdriver, remove the three screws that secure the connector junction box cover, then remove the cover (Fig.1).
4. Follow the cable harness from the foot and calf massager actuator to the connector junction box, then disconnect the two connectors (Fig.1).
5. Using a nail clipper, or other instrument suitable for cutting zip ties, remove all zip ties that secure the foot and calf massager actuator cable harness.



6. Locate the front foot and calf massager actuator hinge pin, then use a needle-nosed pliers to remove the cotter pin from the top of the pin (Fig.2).
7. Insert a flat-head screwdriver between the hinge pin head and the mounting bracket, then use the screwdriver as leverage to pry the pin out of the hinge.
8. Use a pliers to remove the pin from the hinge.
9. Repeat steps 6 – 8 to remove the back hinge pin.
10. Remove the foot and calf massager actuator from the chair.



INSTALLING THE NEW FOOT AND CALF MASSAGER ACTUATOR

1. Align the new actuator back hinge with the mounting bracket, then replace the hinge pin, pushing it in as far as it will go using your fingers.
2. Repeat step 1 to install the front hinge pin.
3. Use a small hammer tap the back hinge pin completely through the hinge, until the pin head is flush with the mounting bracket.
4. Replace the cotter pin on the top end of the hinge pin, to secure it.
5. Repeat steps 3 and 4 to install the front hinge pin.
6. Connect the new actuator cable harness to the corresponding foot and calf massager connectors.
7. Position the cables inside the connector junction box, replace the junction box cover, then secure it using the three screws.
8. Replace the zip ties you removed earlier, to secure the cable harnesses to the bottom of the chair.
9. Gently return the chair to the upright position.
10. Plug in the chair, power it on, then verify that the foot and calf massager actuator is now working properly.