



REPLACING THE SEAT CANVAS AND/OR SPRINGS

To ensure that Human Touch® products are repaired in a manner that is fully consistent with the practices used during the manufacturing process, Human Touch requires that all product repairs are performed using only factory-new parts and in accordance with these product repair instructions.

SERVICE LEVEL: 2

Tools Required: Vice grip. SAVE ALL REMOVED PARTS FOR USE DURING REASSEMBLY

REMOVING THE SEAT CANVAS AND/OR SPRINGS

1. Pull up on the seat pad to detach it from the chair, then flip it forward, out of the way (the front flap can remain attached to the chair). (Fig.1).
2. If you are replacing the seat canvas, use a vice grip to remove the springs from one side of the canvas, remove the remaining springs with your fingers, then remove the canvas from the chair base.
3. If you are replacing broken springs, use a vice grip, remove the desired springs.

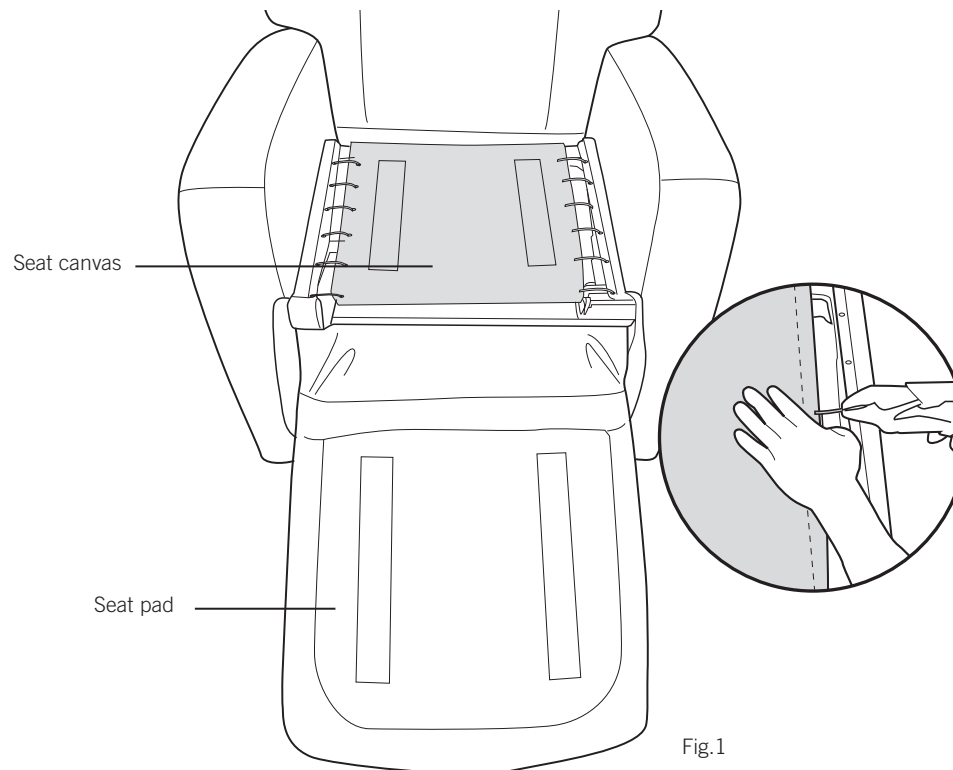


Fig.1

INSTALLING THE NEW SEAT CANVAS AND/OR SPRINGS

IMPORTANT: Be sure to hook the curved side of each spring through the hole in the canvas. If the tension is too tight, bend the outside end of the spring to slightly increase the angle, making it easier to install the spring.

1. If you are installing a new seat canvas:
 - A. Hold the canvas in position, then replace all of the springs on one side (Fig.3).
 - B. Use a vice grip to replace each of the springs on the opposite side of the seat canvas (Fig.4).
2. If you are replacing broken springs, use a vice grip to replace the spring.
3. Replace the seat pad, aligning the hook and loop fasteners.

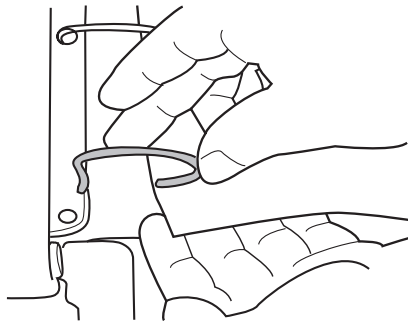


Fig.3



Fig.4