



REPLACING THE SAFETY SENSOR

To ensure that Human Touch® products are repaired in a manner that is fully consistent with the practices used during the manufacturing process, Human Touch requires that all product repairs are performed using only factory-new parts and in accordance with these product repair instructions.

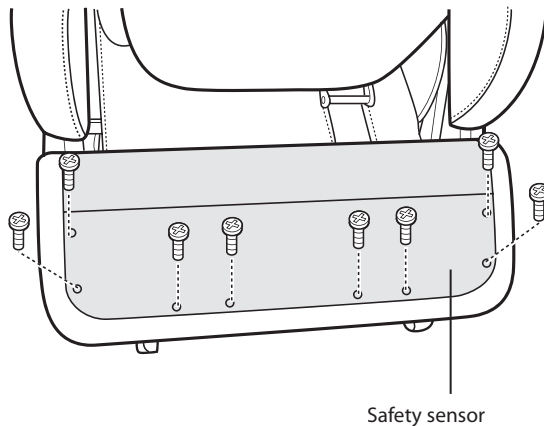
SERVICE LEVEL: 2

Tools Required: Phillips-head screwdriver

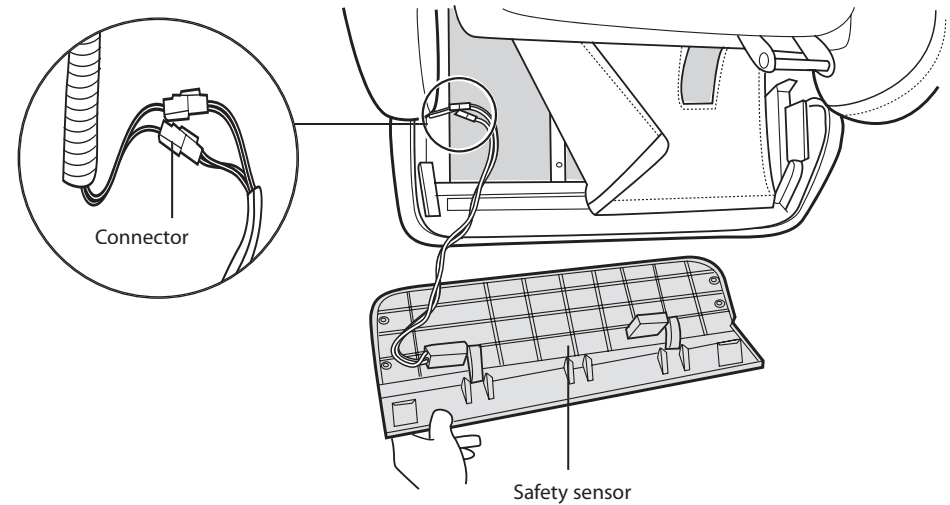
SAVE ALL REMOVED PARTS FOR USE DURING REASSEMBLY

REMOVING THE SAFETY SENSOR

1. Power off the chair and unplug it.
2. Using a Phillips-head screwdriver, remove the eight screws that secure the sensor to the chair frame (Fig.1).
3. Detach the safety sensor from the chair base, to expose the connectors beneath it (Fig.2).
4. Disconnect the connectors, then remove the safety sensor and cables completely from the chair.



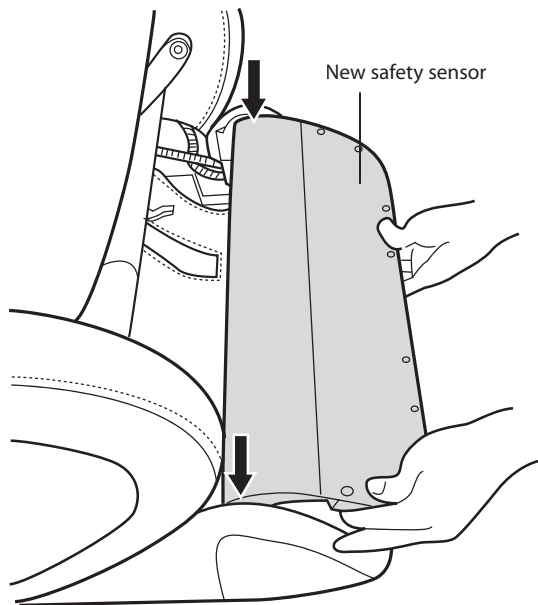
(Fig.1)



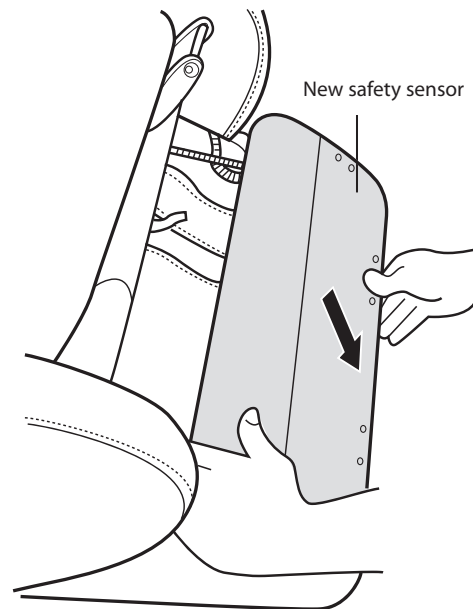
(Fig.2)

INSTALLING THE NEW SAFETY SENSOR

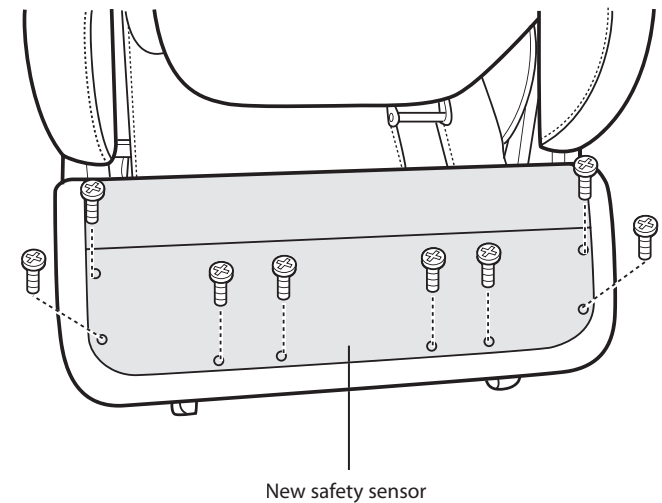
1. Place the new safety sensor behind the chair, then connect the two connectors to the corresponding connectors on the chair base.
2. Place the safety sensor into position, with all cables tucked beneath the sensor, aligning the tab located at each top corner with the corresponding slot (Fig.3).
3. Holding the top of the sensor in place, press down on the lower edge of the sensor to snap it into place (Fig.4).
4. Using a Phillips-head screwdriver, replace the eight screws to secure the safety sensor to the chair base (Fig.5).
5. Plug in the chair and power it on.
6. Use the remote control to verify that the chair now reclines (assuming nothing is resting on the safety sensor).



(Fig.3)



(Fig.4)



(Fig.5)