



REPLACING THE FOOT AND CALF MASSAGER ACTUATOR

To ensure that Human Touch® products are repaired in a manner that is fully consistent with the practices used during the manufacturing process, Human Touch requires that all product repairs are performed using only factory-new parts and in accordance with these product repair instructions.

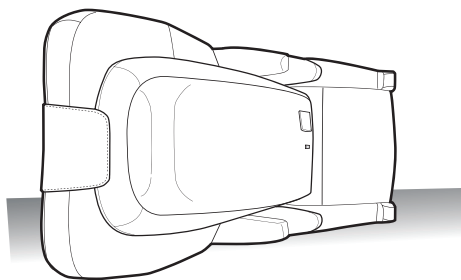
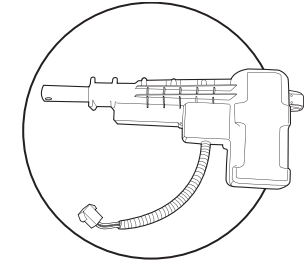
SERVICE LEVEL: 3

Tools Required: Phillips-head screwdriver, pliers, nail clipper or other instrument suitable for cutting zip ties

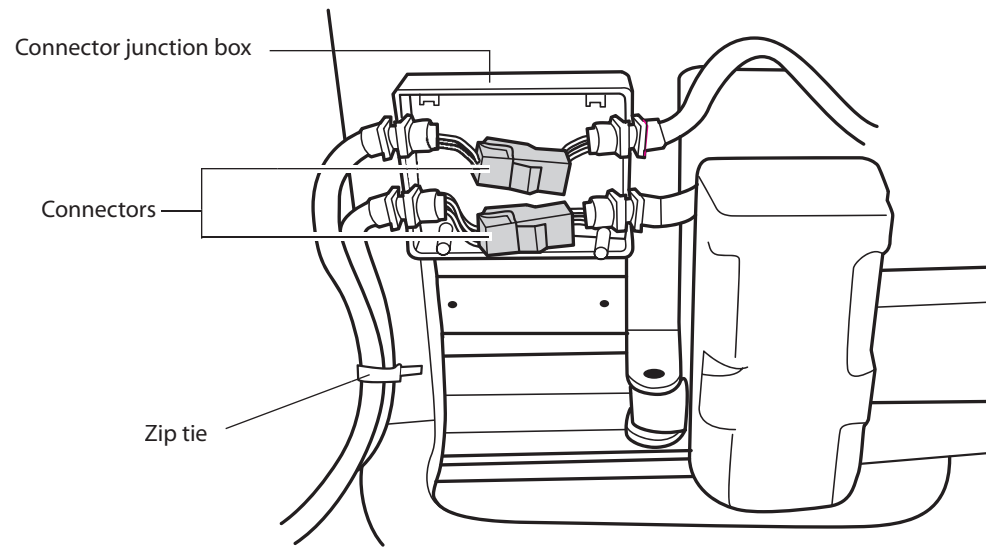
SAVE ALL REMOVED PARTS FOR USE DURING REASSEMBLY

REMOVING THE ACTUATOR

1. Power off the chair and unplug it.
2. Using two people, tip the chair gently onto its left-hand side (Fig.1).
3. Using a Phillips-head screwdriver, remove the two screws that secure the foot and calf massager actuator connector junction box, then remove the box cover (Fig.2).
4. Disconnect the connectors.

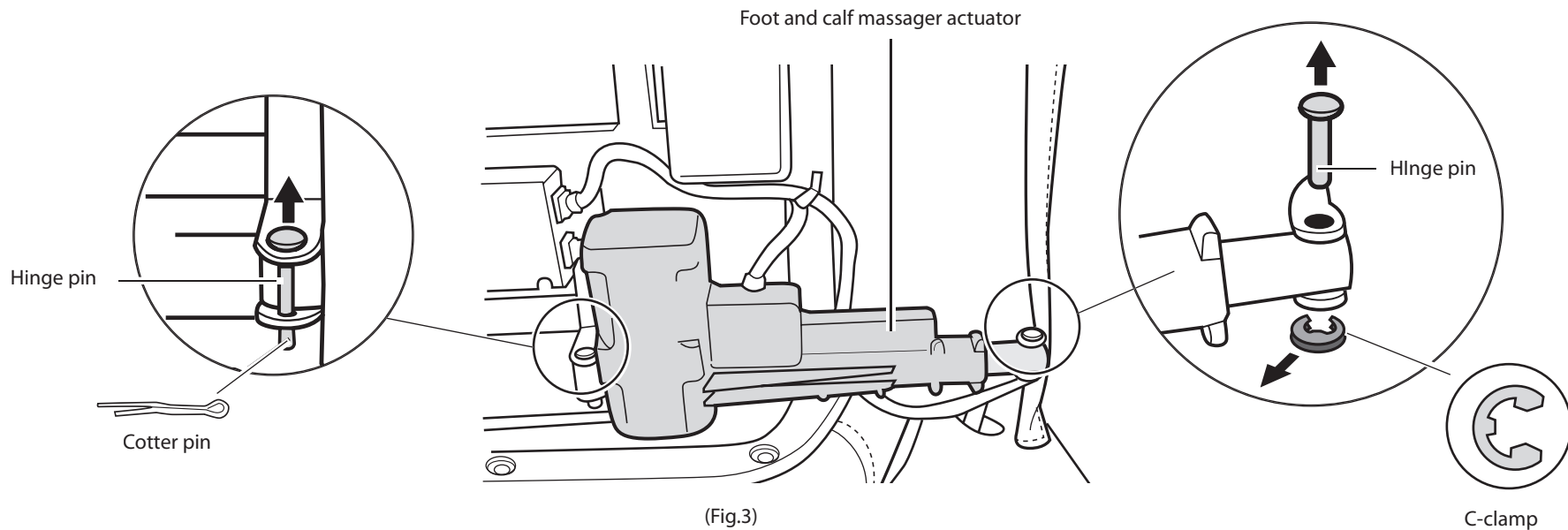


(Fig.1)



(Fig.2)

5. Facing the bottom of the chair, locate the left-hand hinge pin, then, using a needle-nosed pliers, remove the cotter pin from the hinge pin (Fig.3).
6. Locate the right-hand hinge pin, then, using a needle-nosed pliers, remove the C-clamp that secures the pin (Fig.3).
7. Using a pliers, pull up on the hinge pin to remove it.
8. Using a nail clipper or other suitable instrument, cut any zip ties that secure the actuator to the chair base, then remove the actuator.



INSTALLING THE NEW ACTUATOR

1. Place the new actuator into position, aligning the mounting points at both ends with their respective brackets.
2. Insert the hinge pin downward through the right-hand mounting point and bracket, as far as it will go.
3. Using a needle-nosed pliers, replace the C-clamp on the bottom of the hinge pin, to secure it.
4. Insert the other hinge pin downward through the left-hand mounting point and bracket, as far as it will go.
5. Using a needle-nosed pliers, replace the cotter pin on the bottom of the hinge pin, then bend back the ends to secure it.
6. Reconnect the connectors and position them inside the connector junction box.
7. Replace the junction box cover, using two screws.
8. Plug in the chair, power it on, and verify that the foot and calf massager actuator is working properly.