

## REPLACING AN ARMREST

To ensure that Human Touch<sup>®</sup> products are repaired in a manner that is fully consistent with the practices used during the manufacturing process, Human Touch requires that all product repairs are performed using only factory-new parts and in accordance with these product repair instructions.

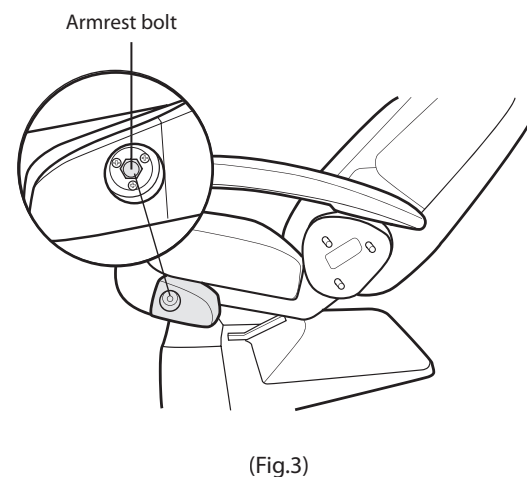
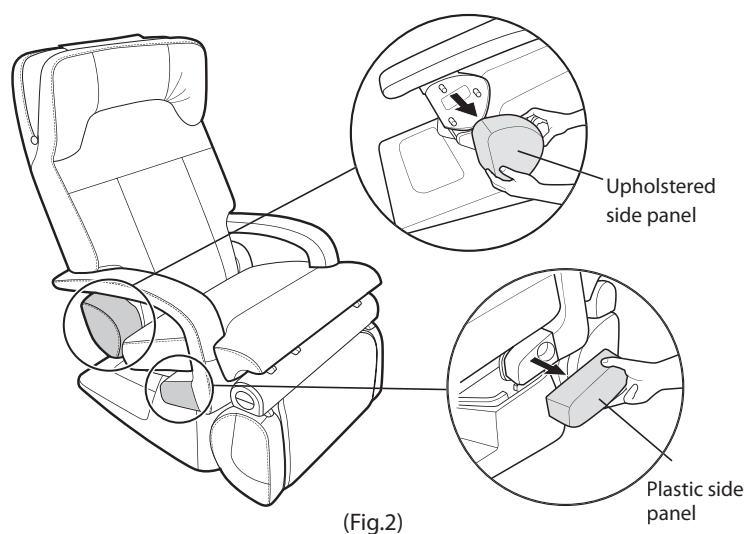
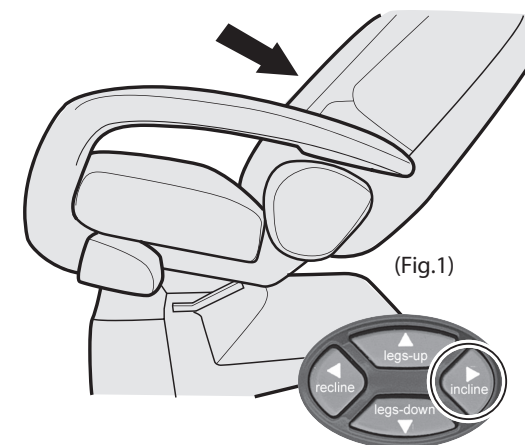
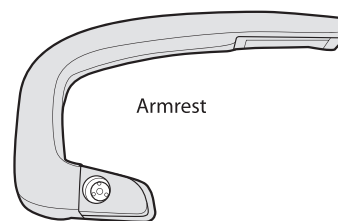
SERVICE LEVEL: 2

Tools Required: 11/16" or 17 mm socket, socket wrench, 5 mm Allen key

NOTE: SAVE ALL SCREWS FOR USE DURING REASSEMBLY.

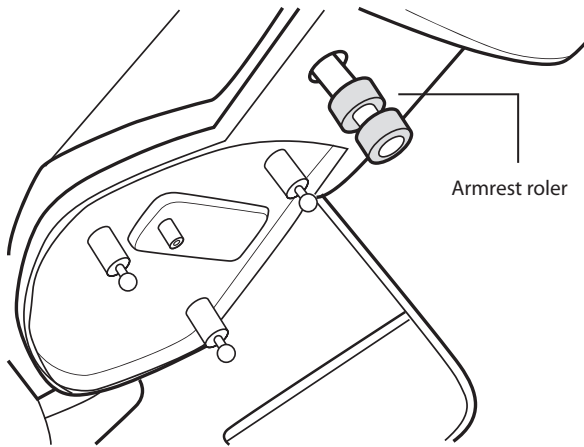
### REPLACING AN ARMREST

1. Use the remote control to slightly recline the chair (Fig.1).
2. Using both hands, pull outward on the plastic side panel cover to remove it (Fig.2).
3. Using both hands, pull outward on the upholstered side panel cover to remove it (Fig.2).
4. Using an 11/16" or 17 mm socket and socket wrench, remove the armrest bolt (Fig.3).
5. Using a 5 mm Allen key, loosen the four arm screws.
6. Lift the back of the armrest slightly upward to clear the retaining plate screws, then pull the armrest toward you to remove it from the chair.

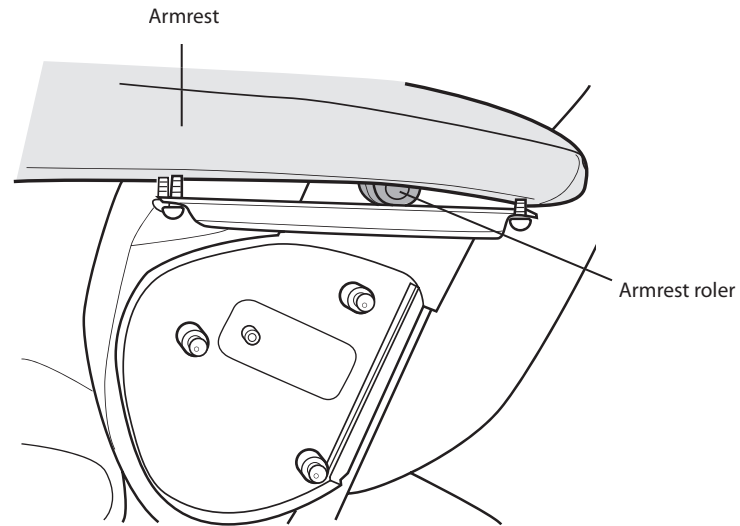


## INSTALLING THE NEW ARMREST

1. Spread the armrest rollers as shown (Fig.5).
2. Slide the armrest, over the rollers, so that the rollers are positioned between the track and the armrest, on opposite sides of the track (Fig.6). You may need to use a flat-head screwdriver to position the rollers properly.
3. Position the front of the armrest onto the mounting pin, then secure it using the bolt and an 11/16" socket and socket wrench (Fig.3).
4. Using a 5-mm Allen key, tighten the four rear screws.
5. Using both hands, replace the plastic side panel cover (Fig.2).
6. Align the posts on the chair base with the corresponding post guides on the upholstered side panel cover, then gently tap the cover into place (Fig.2).



(Fig.5)



(Fig.6)