

REPLACING THE BACKREST ACTUATOR

To ensure that Human Touch[®] products are repaired in a manner that is fully consistent with the practices used during the manufacturing process, Human Touch requires that all product repairs are performed using only factory-new parts and in accordance with these product repair instructions.

SERVICE LEVEL: 3

Tools Required: Needle-nosed pliers, pliers, Phillips-head screwdriver, 3/8-inch Allen Key

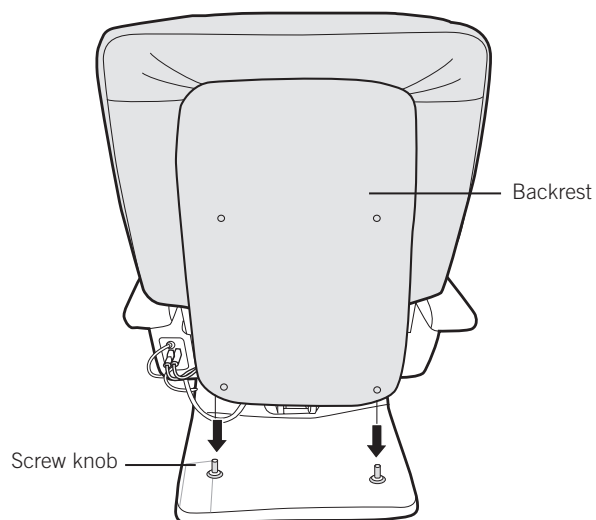
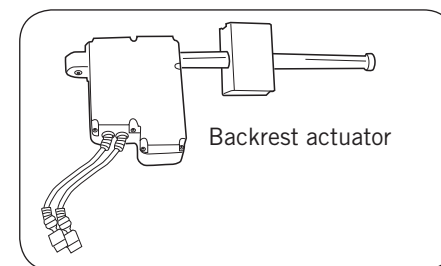
NOTE: SAVE ALL SCREWS FOR USE DURING REASSEMBLY.

CAUTION! You will need at least two people to complete this procedure.

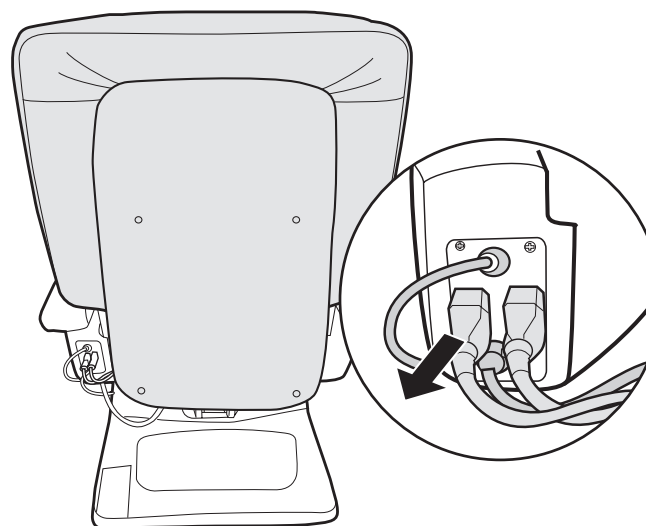
REMOVING THE BACKREST ACTUATOR

REMOVE THE BACKREST

1. Remove the two screw knobs from the bottom of the backrest (Fig. 1).
2. Use the remote control to fully recline the chair.
3. Power off the chair and unplug it.
4. Disconnect all cables that connect the backrest to the left-hand side of the chair base (Fig.2).
5. Lift backrest off the chair base.



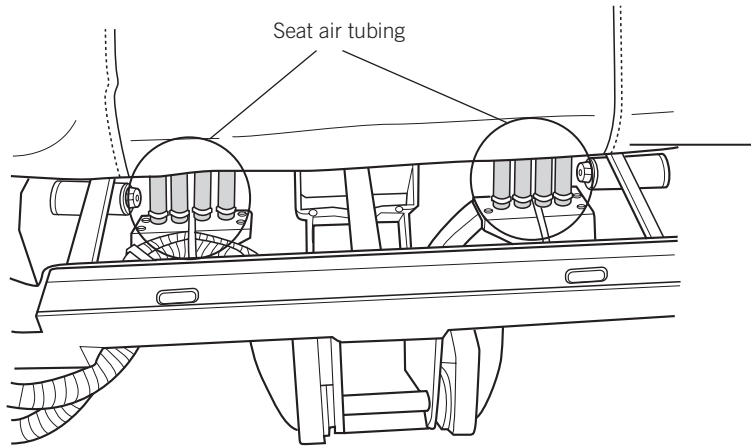
(Fig.1)



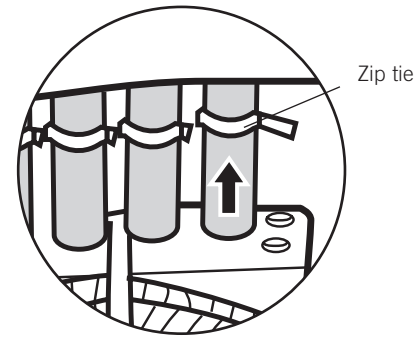
(Fig.2)

REMOVE THE SEAT PAD

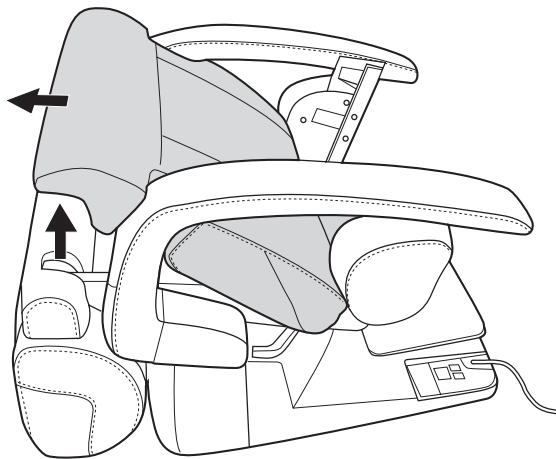
1. Facing the rear of the chair, pull up on the back of the seat pad to expose the seat air tubing (Fig.3).
2. Using your fingers, slide the zip tie on each tube upward approximately one inch, to loosen the tube connection to the fitting (Fig.4).
3. Standing facing the front of the chair, grasp both sides of the seat pad. Pull upward and toward you to release the seat pad from the chair base (Fig.5).
4. Lift one side of the seat pad upward until it clears the armrest, then pull the seat pad up and off the chair base (Fig.6).



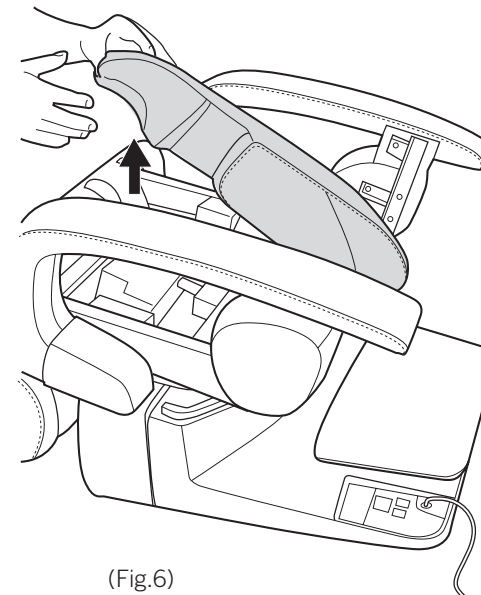
(Fig.3)



(Fig.4)



(Fig.5)



(Fig.6)

DISCONNECT THE ACTUATOR

1. Locate the backrest actuator connector junction box, use a Phillips-head screwdriver to remove the junction box cover screws, then remove the cover (Fig.7).
2. Disconnect both sets of connectors (Fig.7).

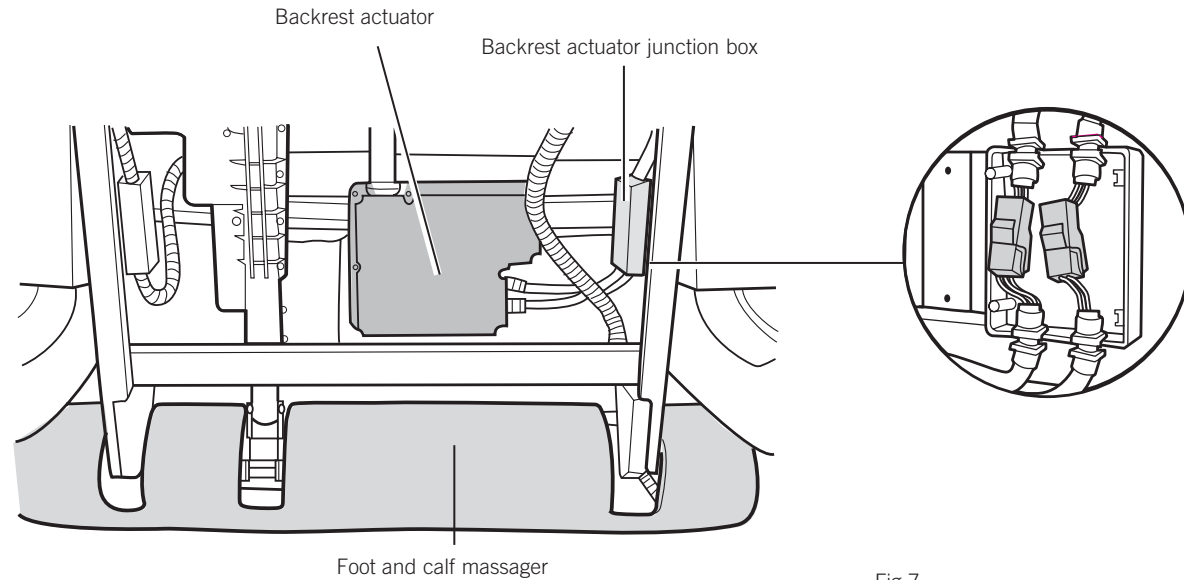


Fig.7

3. Position one person behind the backrest, holding it firmly in place. Once the hinge pin is removed, the backrest swings freely.
4. Use a needle-nosed pliers to remove the cotter pin from the backrest actuator hinge pin (Fig.8).
5. Using a regular pliers, pull the hinge pin out of the bracket and remove it. (Fig.8).
6. Lower the backrest gently to a fully reclined position.

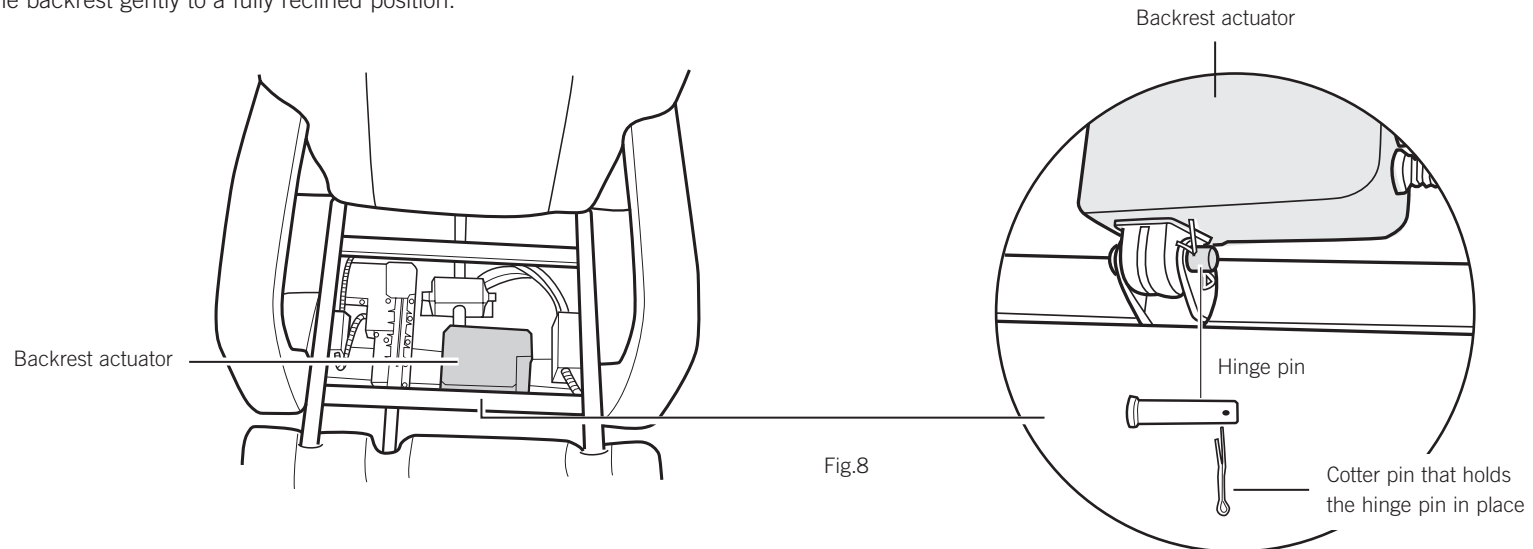
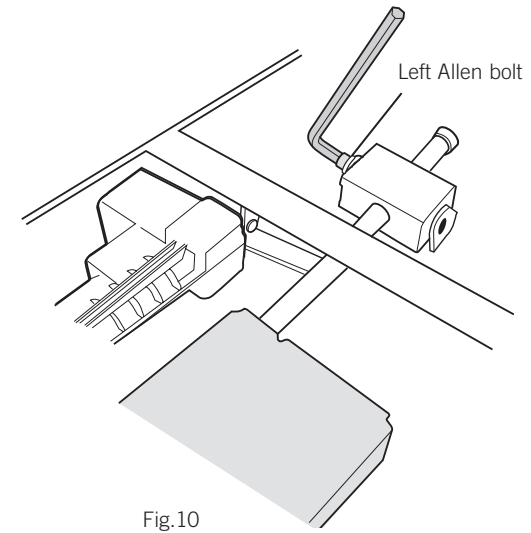
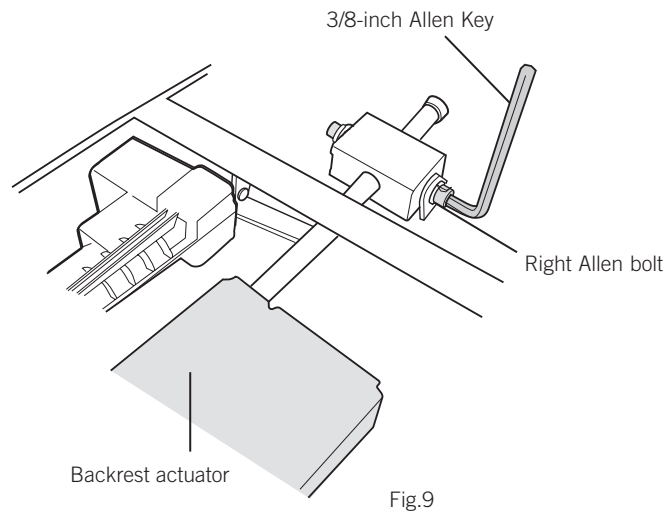


Fig.8

1. Using a 3/8-inch Allen Key, remove the right Allen bolt from the mounting point. (Fig.9).
2. Using a 3/8-inch Allen Key, remove the left Allen bolt from the lower mounting point to release the backrest actuator shaft (Fig.10).
3. Remove the backrest actuator from the chair base.



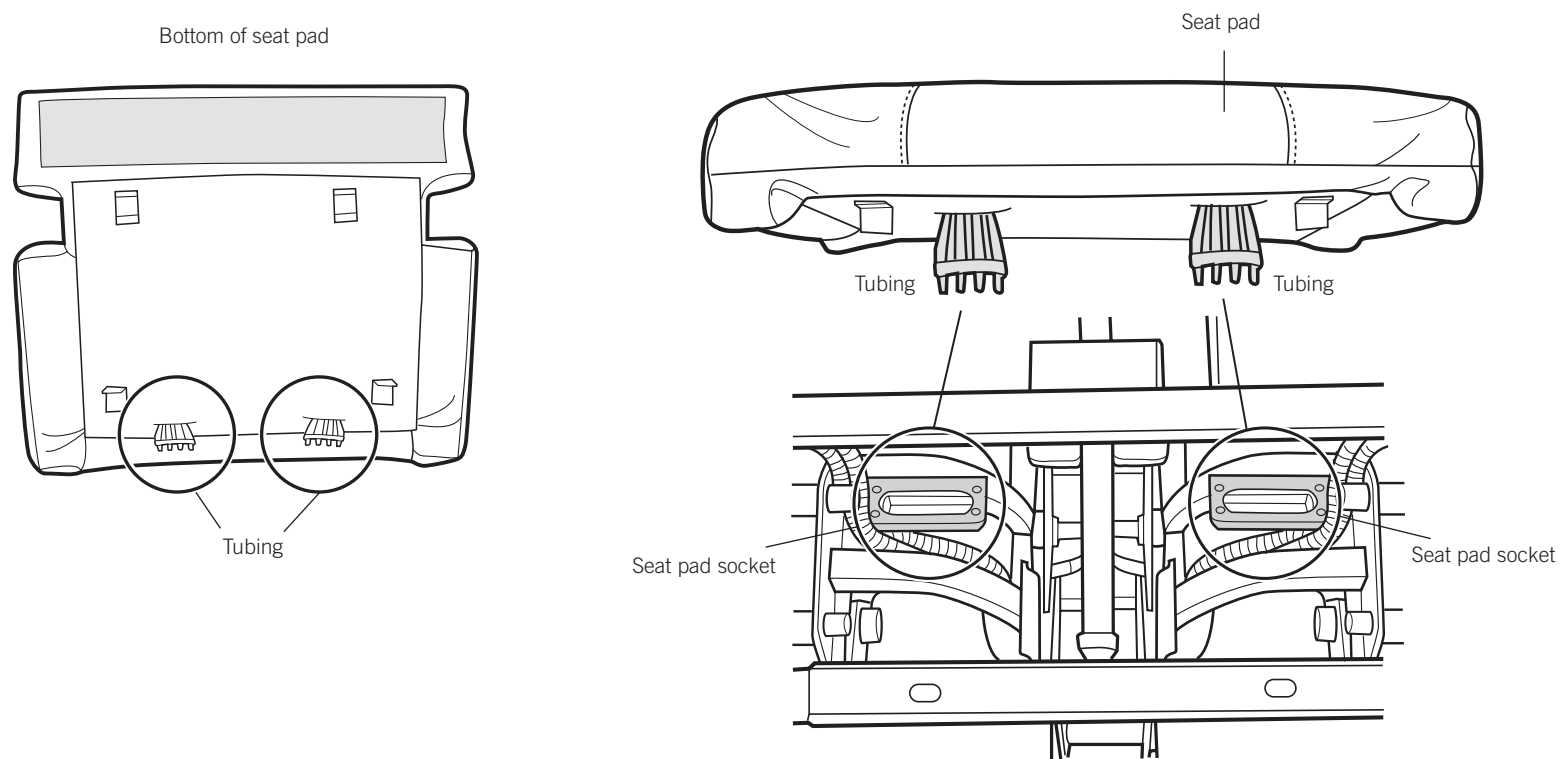
INSTALLING THE NEW BACKREST ACTUATOR

CONNECT THE NEW ACTUATOR

1. Place the new backrest actuator into position, aligning it with the mounting points on the chair base.
2. Replace both the left and right Allen bolts and secure them to the rear mounting points, using a 3/8-inch Allen key.
3. Return the backrest to the upright position and have someone hold it in place.
4. Align the backrest actuator with the front mounting point, then replace the hinge pin and cotter pin. The backrest is now held in place by the actuator.
5. Connect both of the new backrest actuator connectors to the corresponding connectors on the chair base.
6. Place both sets of connectors inside the backrest actuator connector junction box cover and secure it, using a Phillips-head screwdriver and the screws you removed earlier.

REATTACH THE SEAT PAD

1. Locate the two seat pad sockets on the chair base (Fig.11).
2. Place the seat pad into position, aligning the two tubing groups on the bottom of the seat pad with the sockets on the chair base (Fig.11).
3. Aligning the tubing with the corresponding fitting, push the seat pad downward as far as it will go.
4. Using your fingers, slide the zip tie on each tube down to the end of the tube, to secure the tube to the fitting.



(Fig.11)

REINSTALL THE BACKREST

1. Slide the backrest onto the chair base.
2. Plug in the chair and power it on, then use the remote control to raise the backrest to an upright position.
3. Replace the two screw knobs to secure the backrest to the chair base.
4. Reconnect all cables that connect the backrest to the left-hand side of the chair base (Fig.2).
5. Use the remote control to verify that the backrest actuator is now working properly.