

REPLACING THE POWER PANEL

To ensure that Human Touch[®] products are repaired in a manner that is fully consistent with the practices used during the manufacturing process, Human Touch requires that all product repairs are performed using only factory-new parts and in accordance with these product repair instructions.

SERVICE LEVEL: 1

Tools Required: Phillips-head screwdriver, nail clipper or other suitable instrument for cutting zip ties, new zip ties

You will need two people to safely tip the chair forward during this procedure.

REMOVING THE POWER PANEL

1. Power off the chair and unplug it.
2. Standing behind the chair, grasp the shroud on both sides and pull upward just enough to detach it from the chair base (Fig.1).
3. Slide the shroud off to the left to expose the connector junction box (Fig.2).

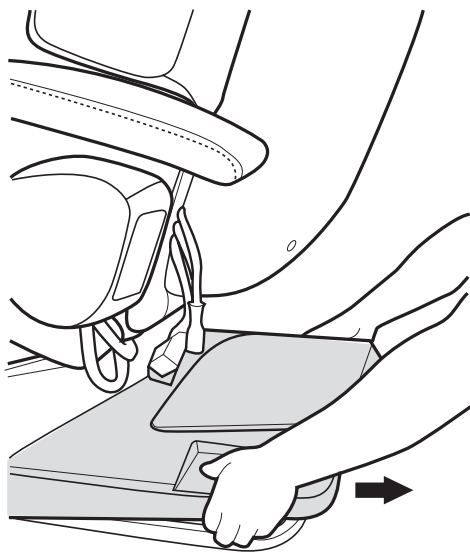
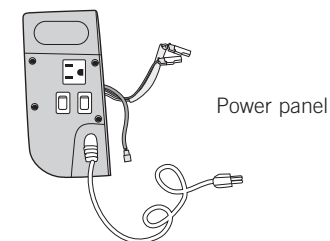


Fig.1

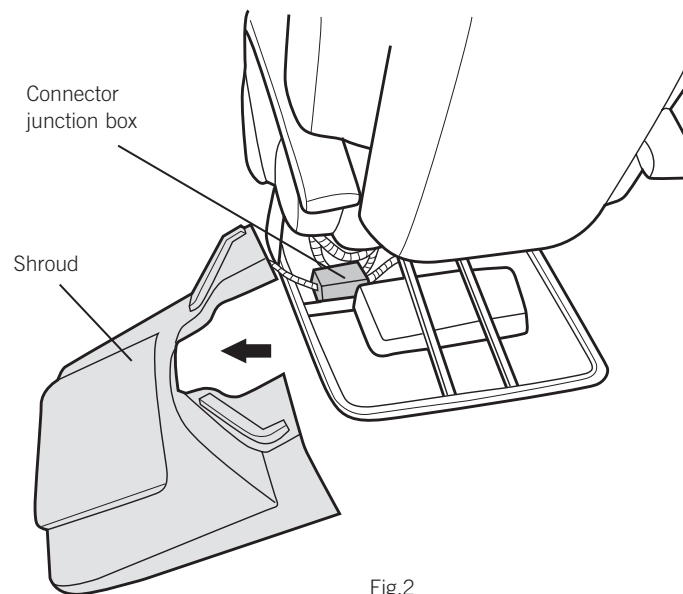


Fig.2

- Using a nail clipper or other suitable instrument, cut the zip tie that secures the junction box, remove the junction box cover, then disconnect the two power panel connectors (Fig. 3)
- Turn the rear shroud over, then, using a nail clipper or other suitable instrument, cut the zip ties that secure the power panel wiring to the shroud.
- Using a Phillips-head screwdriver, punch through the power panel label and remove the four screws that secure the power panel to the chair base (Fig. 4).
- Remove the power panel from the chair (Fig.5).

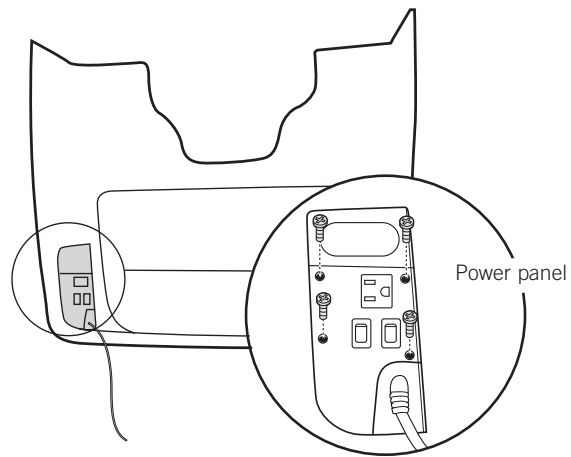
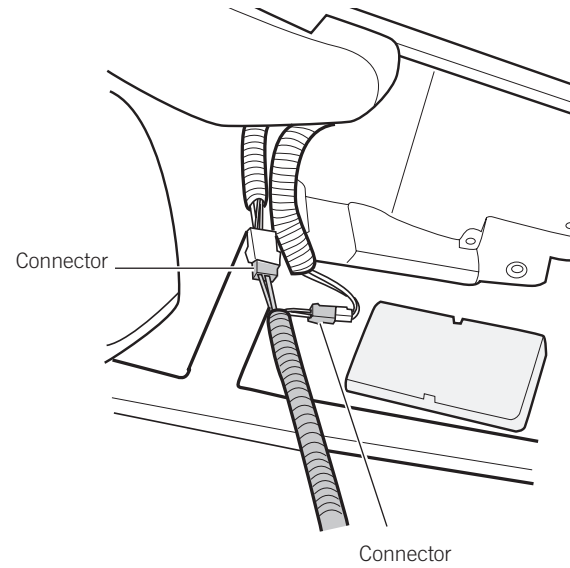
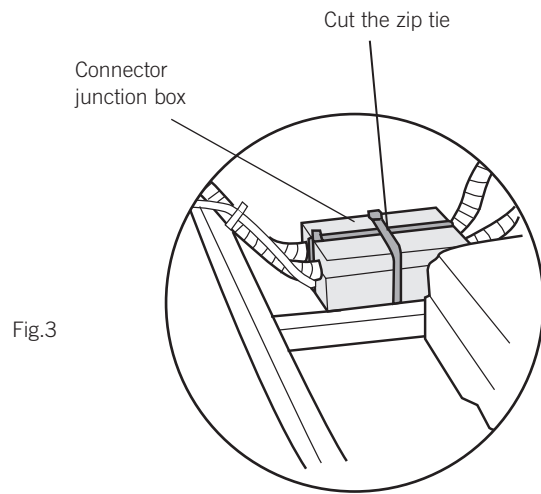


Fig.4

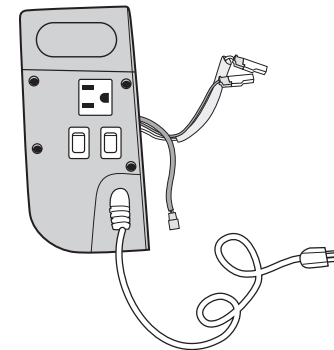


Fig.5

INSTALLING THE NEW POWER PANEL

1. Place the new power panel into position, inserting the rear tabs underneath the chair frame first then lowering the front end of the panel into position (Fig. 6).
2. Connect the new power panel connectors to the corresponding connectors in the junction box.
3. Position the connectors inside the junction box, snap the junction box cover on, then secure it using a large zip tie (Fig. 7)
4. Replace the zip ties you removed earlier with new zip ties, to secure the power panel cables to the shroud.
5. Place the shroud into position, insert the two tabs on the front of the shroud into the two corresponding slots on the chair base, then push down firmly to secure it.
6. Plug in the chair, power it on, and verify that the chair is now receiving power.

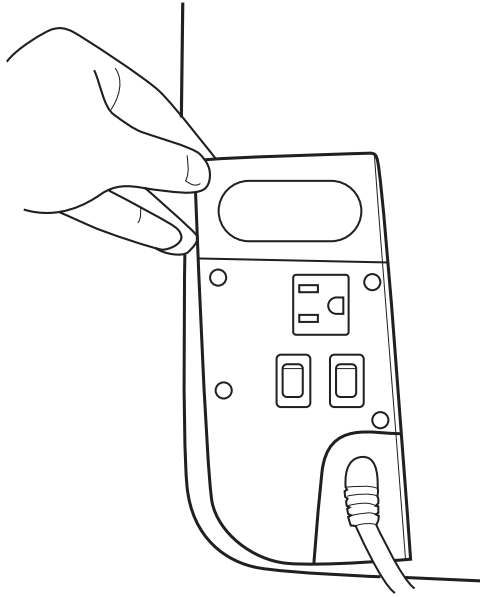


Fig.6

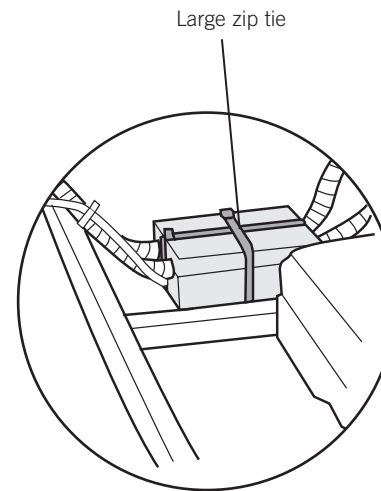


Fig.7