

REPLACING THE FOOTREST RECLINE CABLE

It is imperative that Human Touch® products are repaired in a manner that ensures product safety and regulatory compliance and that is fully consistent with the practices used during the manufacturing process. Therefore, Human Touch requires that all product repairs are performed using only factory-new parts and in accordance with these repair instructions. Failure to adhere to these instructions voids the product warranty and releases Human Touch from all liability for injury or product damage resulting from the repair.

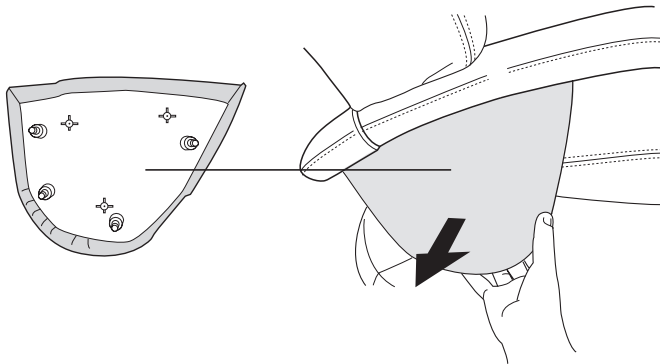
SERVICE LEVEL:3

Tools Required: two small pliers, small Phillips screwdriver, small flathead screwdriver. SAVE ALL REMOVED PARTS FOR USE DURING REASSEMBLY

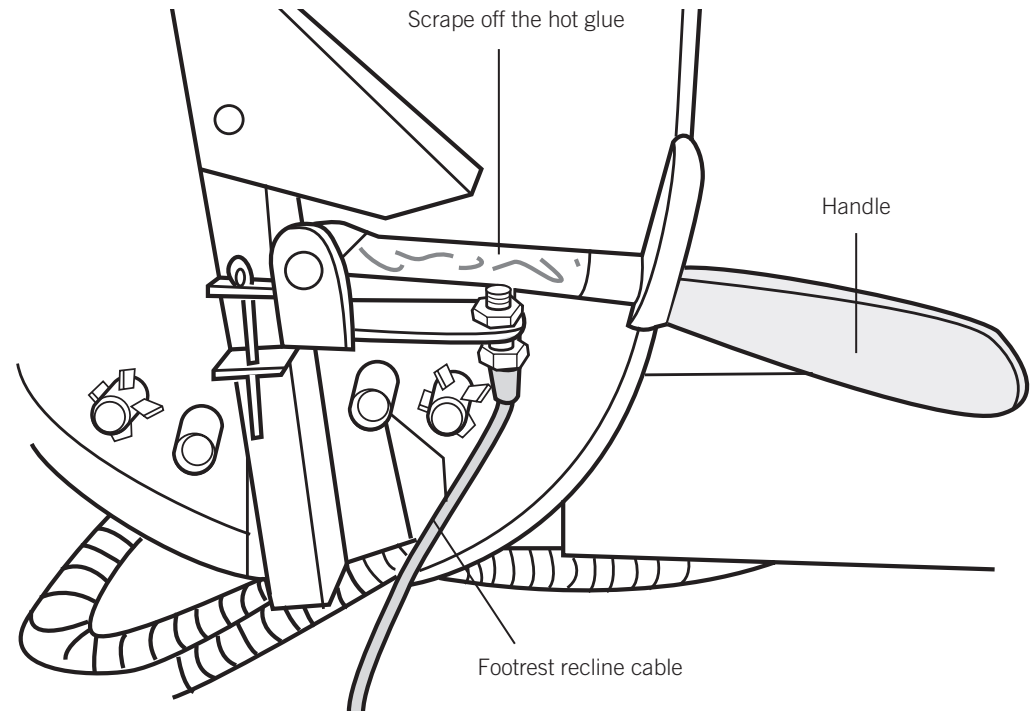
REMOVING THE FOOTREST RECLINE CABLE

Note: The cable runs from the handle on the right side of the chair, underneath the frame, and ends at the end of the adjustment cylinder located under the left side of the chair.

1. Access the cable by removing the right side panel. Pull on the edges of the panel until it comes off (Fig.1).
2. Locate the cable, and where it comes through the handle (Fig.2).
3. Scrape off the hot glue from the top of the handle where the cable comes through the handle (Fig.2).

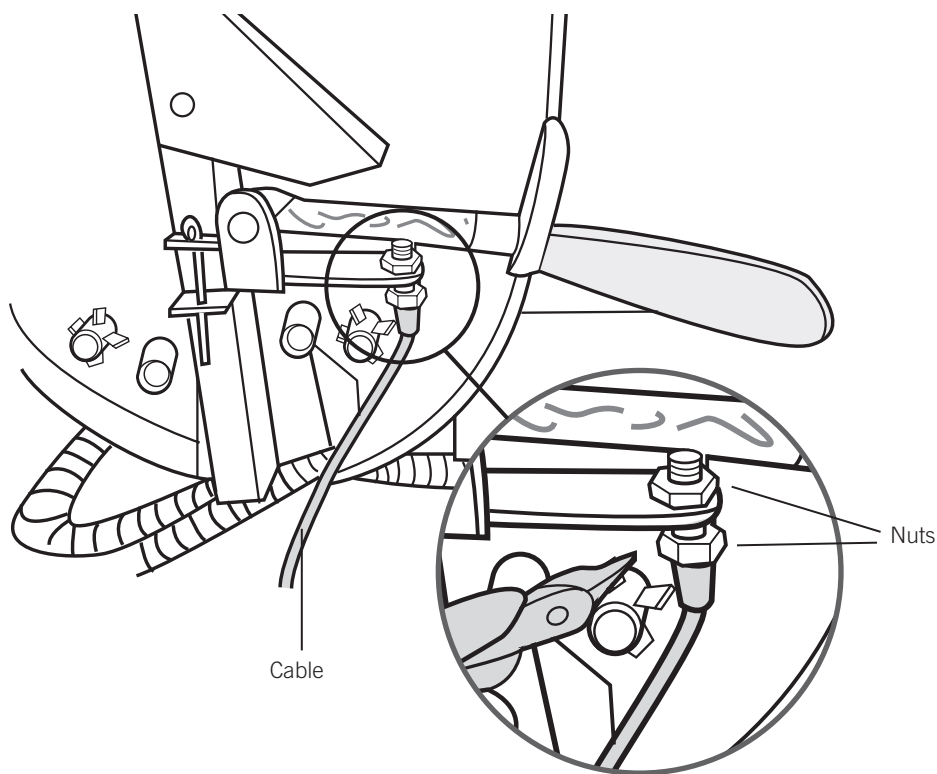


(Fig.1)

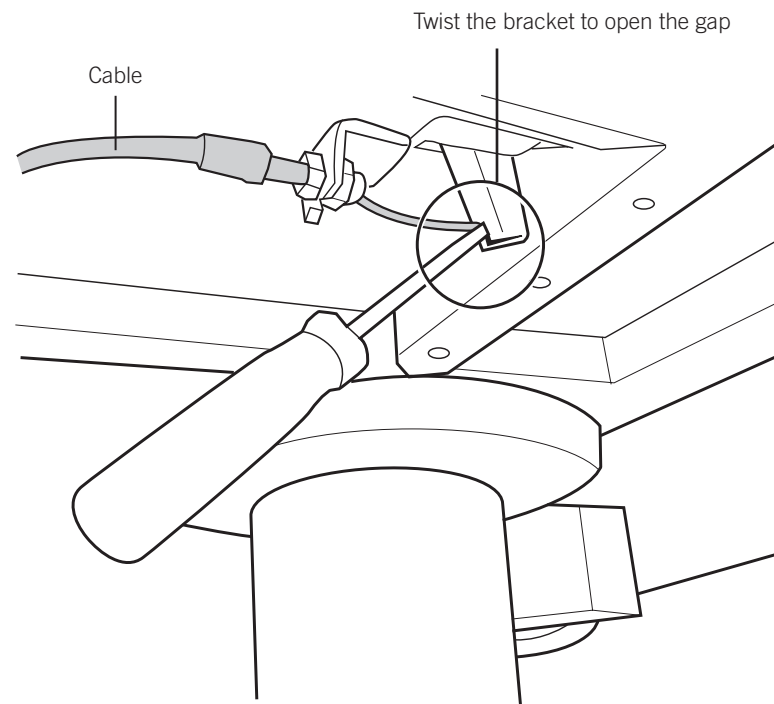


(Fig.2)

4. To remove the cable, use two pliers and loosen the two nuts on either side of the black bracket until the cable is loose enough to pull out from the bracket (fig.2).
5. Push the cable up, so the barrel on the end of the cable is above the handle.
6. Rotate the barrel 90 degrees so it will fit through the slot on the handle, and pull the cable through the handle.
7. To remove the cable from the cable guides underneath the chair, use a Phillips-head screwdriver to remove the screws, pull the cable from the guides.
8. On the other end of the cable, use a small flat-head screwdriver to open the split in the bracket by inserting the screwdriver into the split and then twisting it to open the gap (Fig.3).
9. Loosen the two nuts at the other bracket, and pull the cable free from the bracket.
10. Push the cable toward the split bracket, and free the barrel from the bracket.
11. Remove the cable.



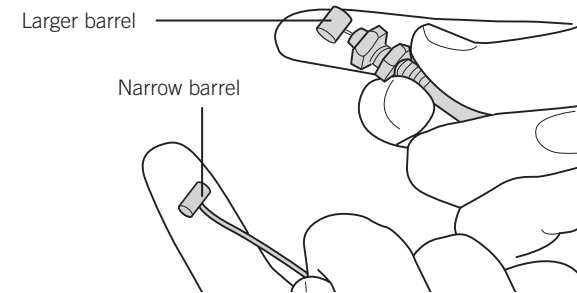
(Fig.2)



(Fig.3)

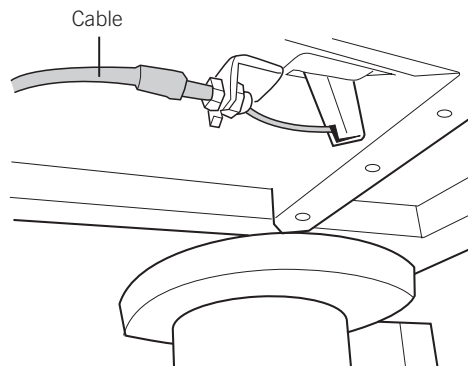
INSTALLING THE NEW FOOTREST RECLINE CABLE

Note: The cable has two distinct ends. The end with the narrow barrel goes on the handle. The larger barrel goes on the other end (Fig.4).

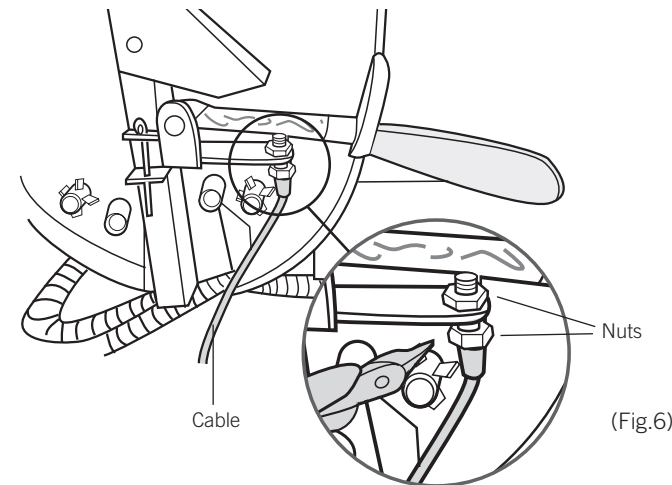


(Fig.4)

1. Place the larger barrel into the slotted bracket. Make sure the barrel is vertical and pull it so it sits fully in the bracket.
2. Place the part of the cable with the two nuts into the other slotted bracket so that one nut is on either side of the bracket. Tighten the nuts enough to hold the cable in place (Fig.5).
3. Route the cable under the chair.
4. Insert the smaller barrel through the handle, rotate it 90 degrees and pull it to secure it into the handle.
5. With the handle in the down position, position the cable with the two nuts into the other slotted bracket. Tighten the nuts enough to hold it into the bracket (Fig.6).
6. Place the cable into the cable guides and re-install the cable guides under the chair.
7. Test the handle operation. If the cable is tight when the handle is in the down position, it should work properly. When the handle is operating as desired, tighten both nuts to secure the cable.



(Fig.5)



(Fig.6)

8. If the cable is not tight when the handle is down, tighten it using the following instructions:
 - a. Put the handle in the down position.
 - b. Locate the nut on the top of the cable guide near the handle. Turn the nut counter-clockwise until the cable is tight. Turn the nut on the bottom until both nuts are touching the bracket.
 - c. Test the handle and make sure the footrest moves properly.
 - d. Continue to make adjustments as necessary following the above procedure.
 - e. When the handle is operating as desired, tighten both nuts to secure the cable.
 - f. On the opposite end of the cable, tighten the nuts to secure the cable at that end.

Please send any questions or comments regarding these instructions to: documentation@humantouch.com

© 2010 Human Touch®, LLC.