

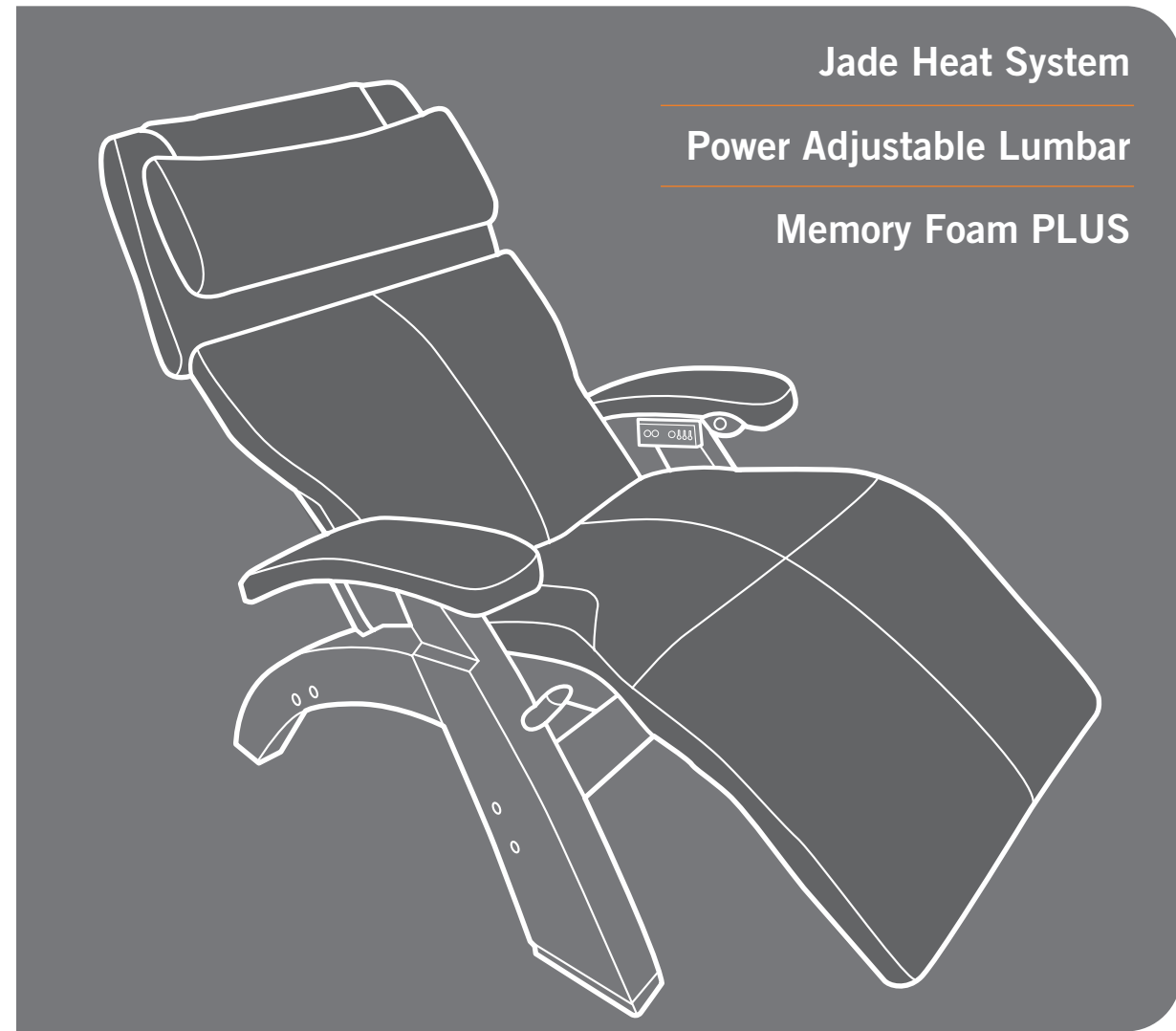
# Perfect Chair®

## PC-420/600/610 Supreme Upholstery Package

Jade Heat System

Power Adjustable Lumbar

Memory Foam PLUS



[humantouch.com](http://humantouch.com)  
800.355.2762

©2024 Human Touch®, LLC. Patents pending and intellectual property rights enforced.  
No medical claims are warranted or implied by the use of this product.  
Human Touch is a trademark of Human Touch®, LLC.  
PC-SUP-NA-C1



use & care manual

Register your product **ONLINE** today  
[www.humantouch.com/register](http://www.humantouch.com/register)

Register your product **ONLINE** today  
[www.humantouch.com/register](http://www.humantouch.com/register)



For **more than four decades**, Human Touch® has established itself as an industry leader that is changing the lives of its customers with products and services that help them **feel, perform, and live their best**. Developed in cooperation with the medical community and industry experts, we deliver products that blend patented technology, craftsmanship and intelligent ergonomics with superior design to enable therapeutic relief for everyone.

Our industry-leading massage chairs, Perfect Chair® recliners and evolving set of innovative solutions share attributes in their ease-of-use, attention to performance and quality, and design to adapt to most any lifestyle. These attributes are highly valued by our customers and garner broad industry award and recognition. As a result, Human Touch empowers people to enjoy greater health and vitality in their professions, pursuits and everyday lives. And with a population increasingly aware of the benefits of wellness, Human Touch extends its brand leadership and available **solutions for the benefit of everyone**.

[humantouch.com](http://humantouch.com)

*Proudly endorsed by:*



Register your product at [www.humantouch.com](http://www.humantouch.com) to ensure your product is in our system to simplify the warranty process should you ever need it.

## Perfect Chair®

### PC-420/600/610 Supreme Upholstery Package

Jade Heat System

Power Adjustable Lumbar

Memory Foam PLUS

## welcome to **human touch**®

Your Perfect Chair Supreme Upholstery Package is packed with features designed to cradle your body in comfort—not only in the traditional zero-gravity position, but in the position you sit most.

Easily adjust your back support with a touch of a button by simply inflating the precision controlled lumbar region to your exact comfort preferences.

By adding the healing properties of far-infrared heat into your Perfect Chair, we've integrated the earth's natural elements and healing arts of the Far East into an amazingly luxurious chair that soothes tired, aching muscles, elevating the body to a new state of comfort and relaxation. We've also incorporated luxurious high-density plush seating with premium, responsive Memory Foam PLUS that maximizes ultimate comfort and provides ideal support while it contours your entire body.

# keep it safe

## IMPORTANT SAFETY INSTRUCTIONS

When using an electrical appliance, basic precautions should always be followed, including the following:

### READ ALL INSTRUCTIONS BEFORE USING THIS APPLIANCE.

 **DANGER:** TO REDUCE THE RISK OF ELECTRICAL SHOCK  
ALWAYS UNPLUG THIS PRODUCT FROM THE ELECTRICAL OUTLET IMMEDIATELY AFTER USING AND BEFORE CLEANING.

 **WARNING:** TO REDUCE THE RISK OF BURNS, ELECTRIC SHOCK, AND FIRE, THIS PRODUCT MUST BE USED IN ACCORDANCE WITH THE FOLLOWING INSTRUCTIONS:

- DO NOT PUT HANDS OR FINGERS NEAR THE FOOTREST MECHANISM ON THE UNDERSIDE OF THE CHAIR WHILE THIS PRODUCT IS RUNNING. TOUCHING THE MECHANISM CAN RESULT IN INJURY.
- IF THE SUPPLY CORD IS DAMAGED, IT MUST BE REPLACED BY THE MANUFACTURER OR ITS SERVICE AGENT OR A SIMILARLY QUALIFIED PERSON IN ORDER TO AVOID A HAZARD.
- AN APPLIANCE SHOULD NEVER BE LEFT UNATTENDED WHEN PLUGGED IN. UNPLUG FROM OUTLET WHEN NOT IN USE, AND BEFORE PUTTING ON OR TAKING OFF PARTS.
- CLOSE SUPERVISION IS NECESSARY WHEN THIS PRODUCT IS USED BY, ON, OR NEAR CHILDREN, INVALIDS, OR DISABLED PERSONS. KEEP CHILDREN AWAY FROM EXTENDED FOOT SUPPORT (OR OTHER SIMILAR PARTS).
- USE THIS PRODUCT ONLY FOR ITS INTENDED USE AS DESCRIBED IN THIS MANUAL. DO NOT USE ATTACHMENTS NOT RECOMMENDED BY THE MANUFACTURER.
- NEVER OPERATE THIS PRODUCT IF IT HAS A DAMAGED CORD OR PLUG, IF IT IS NOT WORKING PROPERLY, IF IT HAS BEEN DROPPED OR DAMAGED, OR DROPPED INTO WATER. RETURN THIS PRODUCT TO A SERVICE CENTER FOR EXAMINATION AND REPAIR.
- DO NOT CARRY THIS APPLIANCE BY SUPPLY CORD OR USE CORD AS A HANDLE.
- ALWAYS KEEP THE POWER CORD AWAY FROM HEATED SURFACES.
- NEVER OPERATE THIS PRODUCT WITH THE AIR OPENINGS BLOCKED. KEEP THE AIR OPENINGS FREE OF LINT, HAIR, AND THE LIKE.
- NEVER DROP OR INSERT ANY OBJECT INTO ANY OPENING.
- DO NOT USE OUTDOORS.
- DO NOT OPERATE WHERE AEROSOL (SPRAY) PRODUCTS ARE BEING USED OR WHERE OXYGEN IS BEING ADMINISTERED.
- DO NOT USE THIS PRODUCT WHEN STANDING ON A DAMP FLOOR, OR WHEN ANY PART OF THE BODY IS IN CONTACT WITH PLUMBING OR ANY SIMILAR GROUND.
- DO NOT USE THIS PRODUCT IF NOISE ABOVE NORMAL SOUND IS HEARD.
- DO NOT STAND ON OR IN APPLIANCE. USE ONLY WHILE SEATED.
- THIS APPLIANCE IS NOT INTENDED FOR USE BY PERSONS (INCLUDING CHILDREN) WITH REDUCED PHYSICAL, SENSORY OR MENTAL CAPABILITIES, OR LACK OF EXPERIENCE AND KNOWLEDGE, UNLESS THEY HAVE BEEN GIVEN SUPERVISION OR INSTRUCTION CONCERNING USE OF THE APPLIANCE BY A PERSON RESPONSIBLE FOR THEIR SAFETY. CHILDREN SHOULD BE SUPERVISED TO ENSURE THAT THEY DO NOT PLAY WITH THE APPLIANCE.

- DO NOT USE WHILE SLEEPING.
- DO NOT USE ON AN INFANT.
- THIS PAD IS NOT TO BE USED BY OR ON AN INVALID, SLEEPING OR UNCONSCIOUS PERSON, OR A PERSON WITH POOR BLOOD CIRCULATION UNLESS CAREFULLY ATTENDED.
- DO NOT USE ON AREAS OF INSENSITIVE SKIN.
- BURNS CAN OCCUR REGARDLESS OF CONTROL SETTING; CHECK SKIN UNDER PAD FREQUENTLY.
- NEVER USE PAD WITHOUT COVER IN PLACE.
- DO NOT USE PINS OR OTHER METALLIC MEANS TO FASTEN THIS PAD IN PLACE.
- DO NOT SIT ON OR CRUSH PAD – AVOID SHARP FOLDS.
- NEVER PULL THIS PAD BY THE SUPPLY CORD.
- DO NOT USE THE CORD AS A HANDLE.
- IT IS NOT NECESSARY TO OPEN THE COVER TO EXAMINE THE PAD BEFORE EACH USE.
- LOOP CORD LOOSELY WHEN STORING, TIGHT WRAPPING MAY DAMAGE CORD AND INTERNAL PARTS.
- READ AND FOLLOW ALL INSTRUCTIONS ON BOX OR PACKED WITH PAD BEFORE USING.
- THE HEATING PAD MUST NOT BE LAUNDERED.

### SAFETY PRECAUTIONS

- COMFORTABLE CLOTHING IS RECOMMENDED WHILE USING THIS PRODUCT.
- IF YOU FEEL ANY ABNORMAL DISCOMFORT DURING THE OPERATION OF THIS PRODUCT, TURN OFF THE POWER IMMEDIATELY AND DO NOT USE THE PRODUCT. CONSULT YOUR PHYSICIAN.
- DO NOT PULL ON THE AC CORD.
- WHEN USING THIS PRODUCT AFTER IT HAS BEEN IN STORAGE, CHECK TO SEE THAT THE PRODUCT IS OPERATING PROPERLY PRIOR TO USE.
- ALWAYS CONFIRM THAT THERE ARE NO OBSTACLES BEHIND THE PRODUCT AND THAT THERE IS SUFFICIENT SPACE TO RECLINE.
- TO AVOID INJURY, KEEP PETS AWAY FROM THE CHAIR WHEN IN USE.

### DO NOT ATTEMPT TO REPAIR THIS PRODUCT YOURSELF.

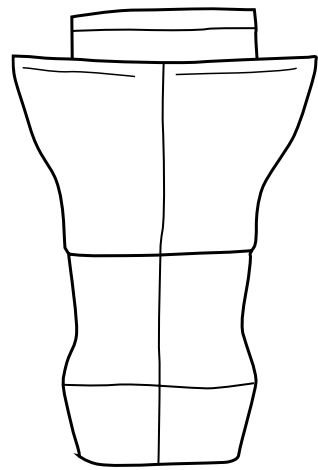
- THIS PRODUCT IS DESIGNED FOR PERSONAL IN-HOME USE. UNAUTHORIZED COMMERCIAL USE WILL VOID WARRANTY.
- THIS HEATING PAD HAS A POLARIZED PLUG (ONE BLADE IS WIDER THAN THE OTHER) AS A SAFETY FEATURE. THIS PLUG WILL FIT INTO A POLARIZED OUTLET ONLY ONE WAY. IF THE PLUG DOES NOT FIT FULLY INTO THE OUTLET, REVERSE THE PLUG. IF IT STILL DOES NOT FIT, CONTACT A QUALIFIED ELECTRICIAN. DO NOT ATTEMPT TO DEFEAT THIS SAFETY FEATURE.

## SAVE THESE INSTRUCTIONS

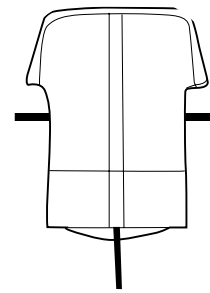
# get ready

## Unpack the boxes

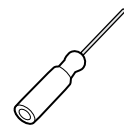
### Chair box



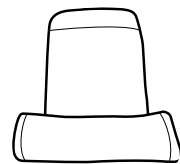
Body pad



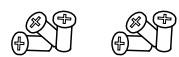
Headrest pad with full back cover



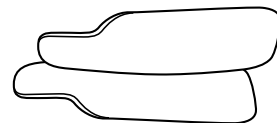
Phillips-head screwdriver



Neck pillow



Screws (6)  
(attached to arm cap packaging)



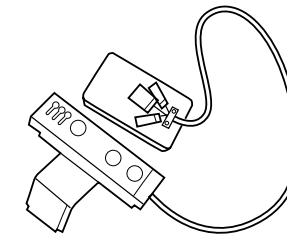
Arm caps (2)

Your Supreme Upholstery Package requires some assembly. Just follow these easy steps...

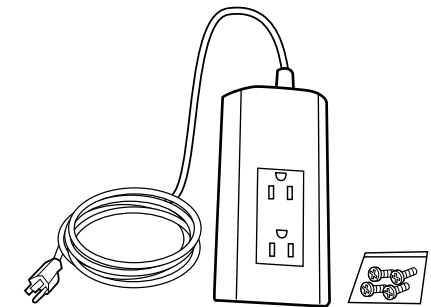
1. Install the power hub.
2. Install the control panel.
3. Install the pads.

...and before you know it you'll be settled into soothing comfort!

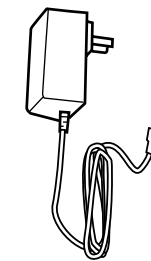
### Parts box



Control panel with connector box



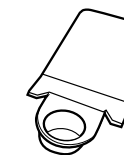
Power hub



Transformer

### PC-600/610

**NOTE:** Locate the recline controller housing that comes with the chair base.



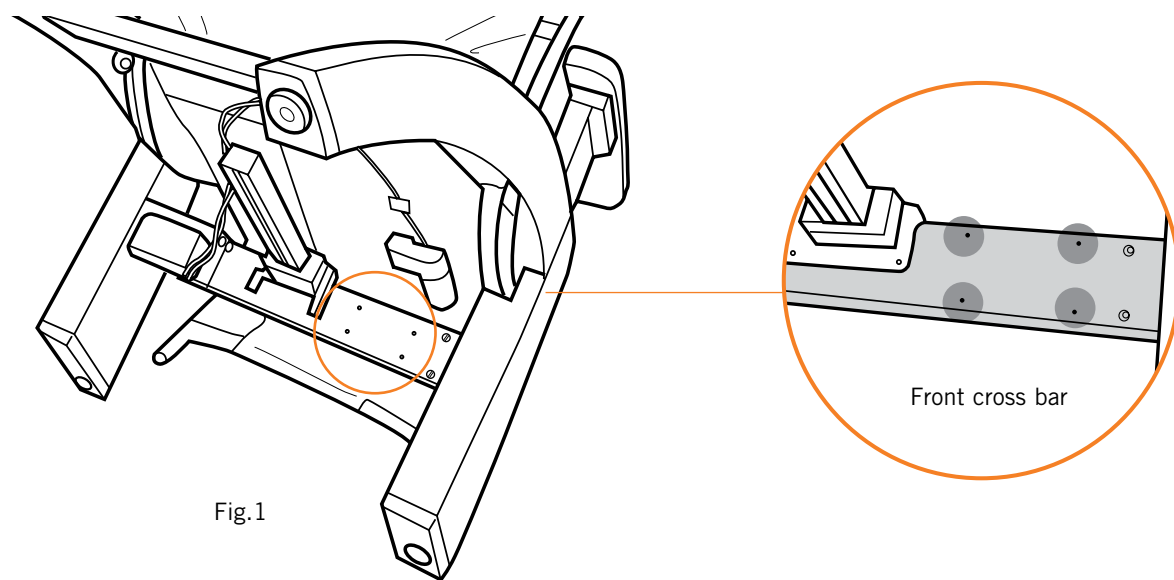
Recline controller housing

# put it together

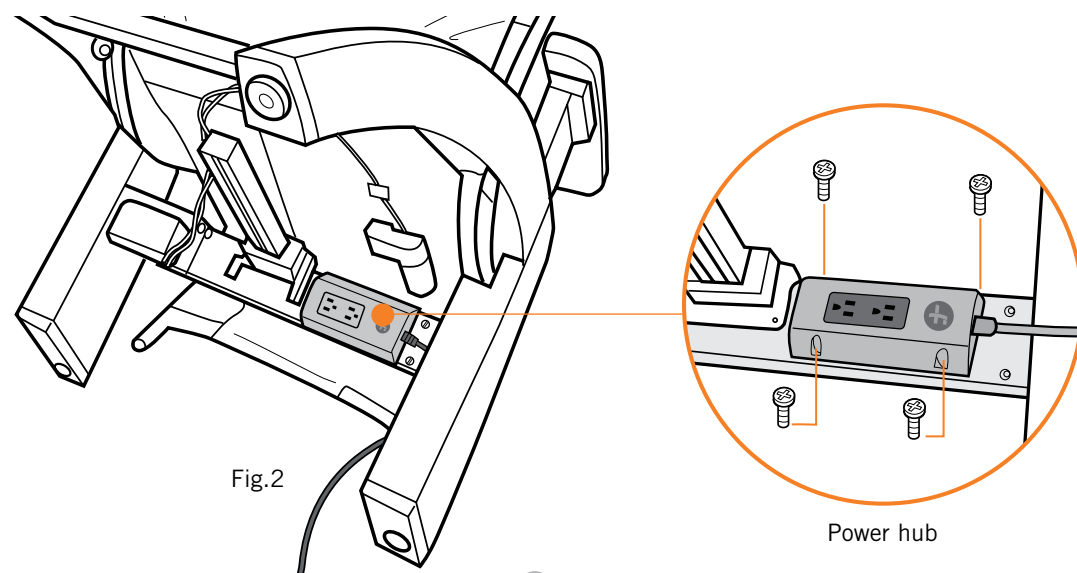
**NOTE:** The illustrations in this section show a **PC-600/610**. If you are installing the upholstery package on a **PC-420** it will look different underneath the chair and on the left-hand armrest.

## Install the power hub

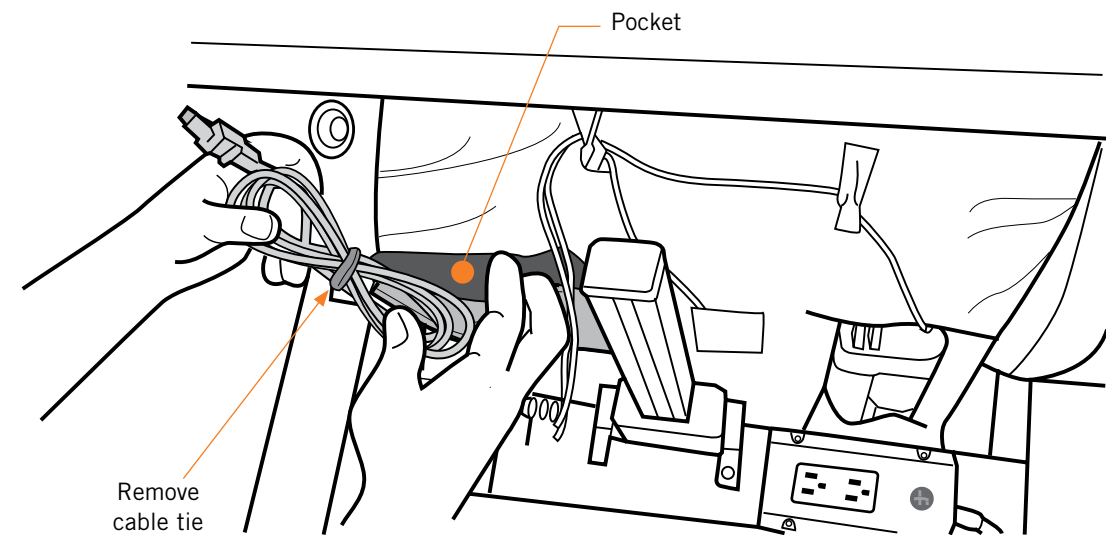
1. Gently tip the chair forward onto the footrest (Fig.1).
2. Locate the four screw holes on the rear of the front cross bar.



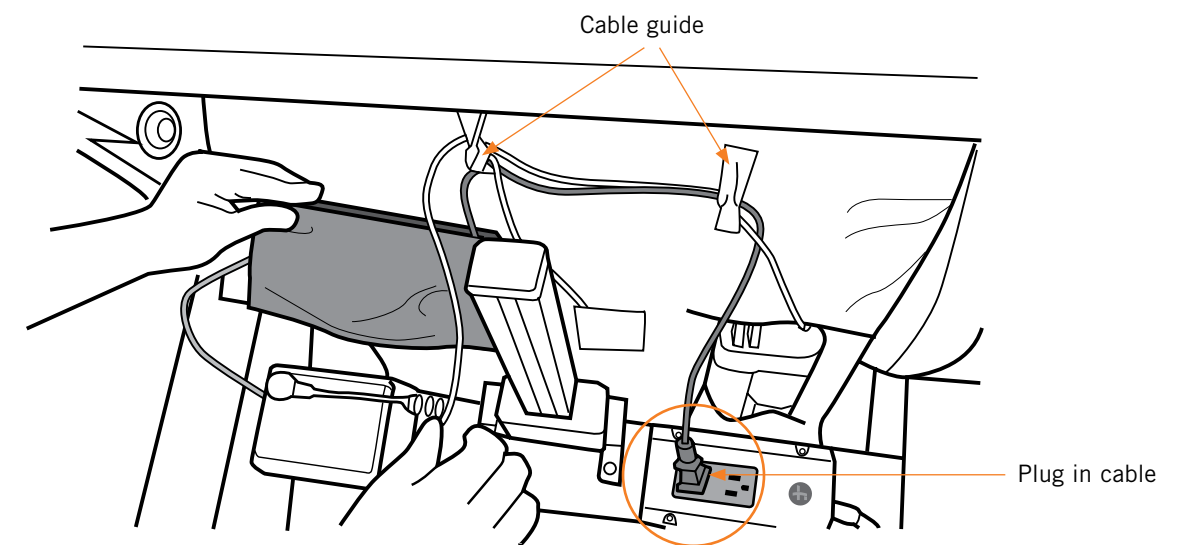
3. Using the provided Phillips-head screwdriver and screws, secure the power hub to the chair with the power cord facing to the right (Fig.2).



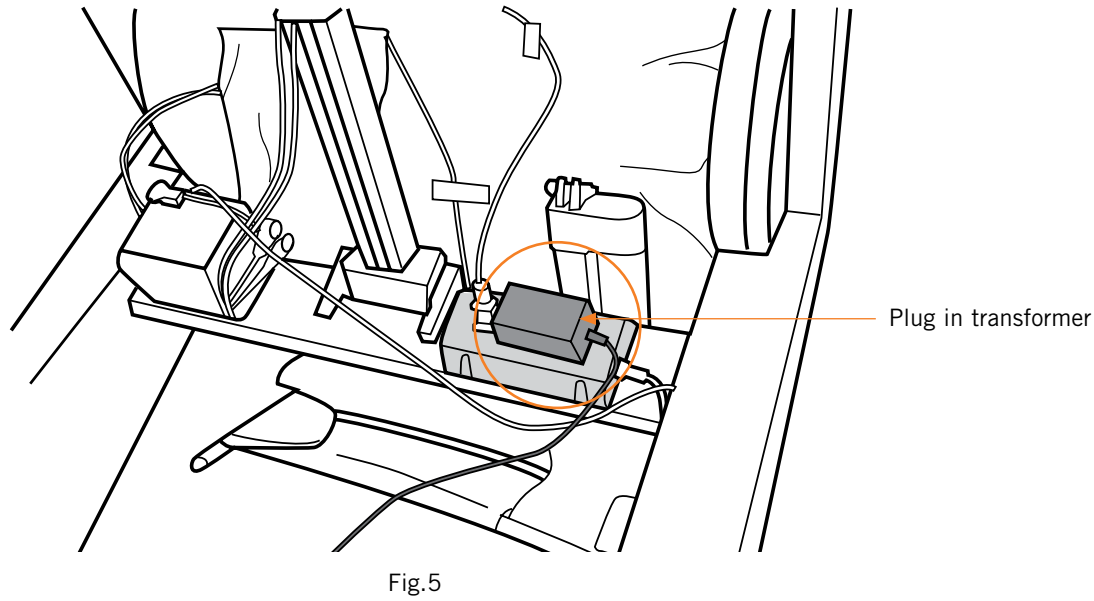
4. **PC-600/610:** Open the canvas pocket on the bottom of the chair, remove the coiled cable, remove the cable tie, then return the cable to the pocket with the plug positioned at the top (Fig.3).



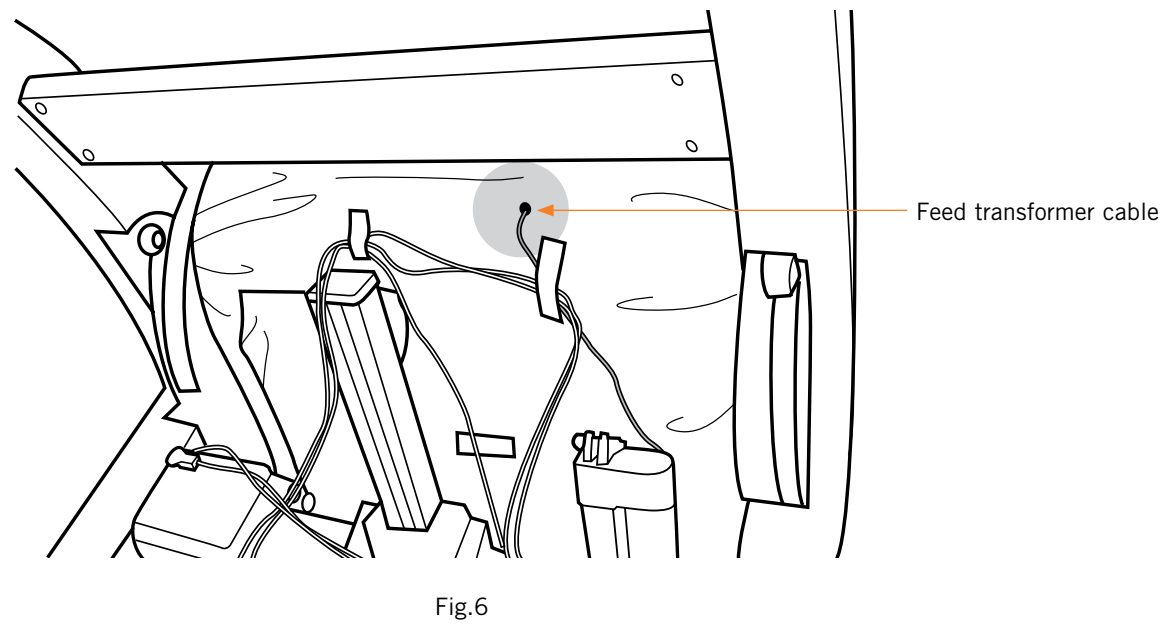
5. **PC-600/610:** Pull the plug gently out of the pocket, guide the cable through the two cable guides on the chair canvas, plug it into the left-hand power hub receptacle, then close the canvas pocket using the hook-and-loop fasteners (Fig.4).



6. Plug the transformer into the right-hand power hub receptacle (Fig.5).

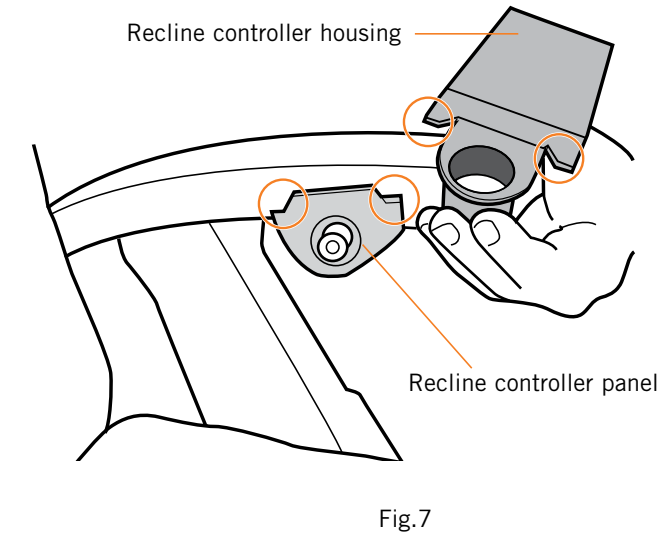


7. Feed the transformer cable up through the cable guide then up through the hole in the chair canvas (Fig.6).
8. Gently return the chair to the upright position.

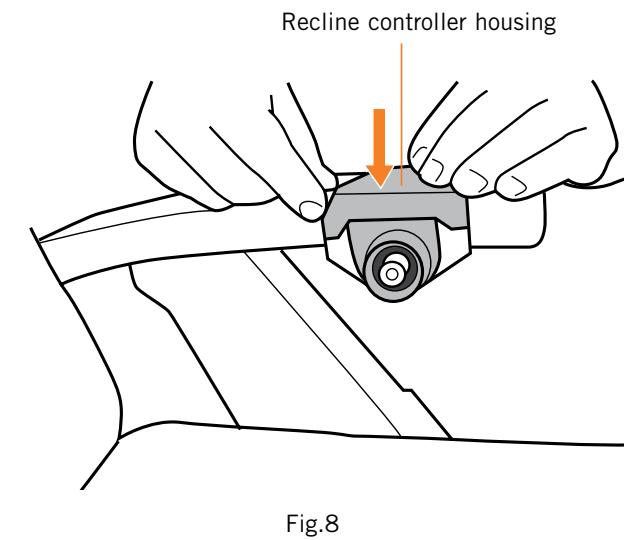


## Install the control panel

1. Retrieve the six screws attached to the armrest cap's packaging.
2. **PC-600/610:** Note the shape of the top of the recline controller panel and the matching shape of the recline controller housing (Fig.7).



3. **PC-600/610:** Place the housing into position on the left-hand armrest as shown (Fig.8).
4. **PC-600/610:** Make sure the matching shapes are tightly aligned to ensure that the knob is centered in the housing.



5. Place the control panel into position on the armrest, above the chair arm as shown (Fig.9).

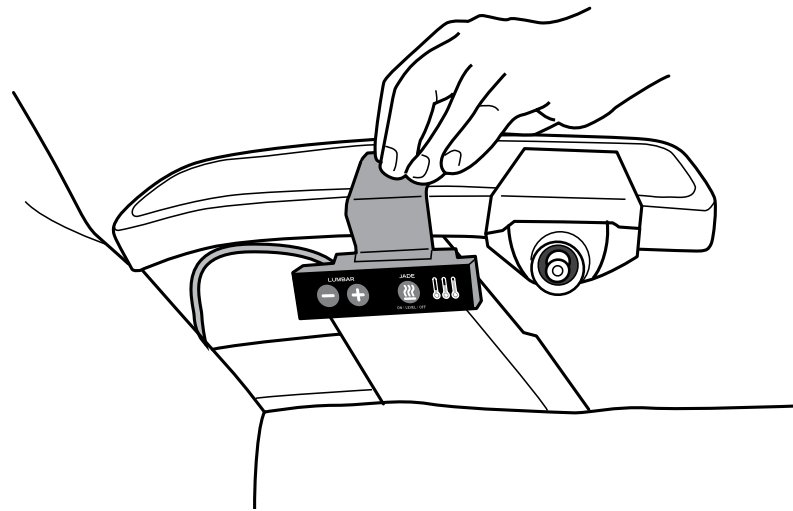
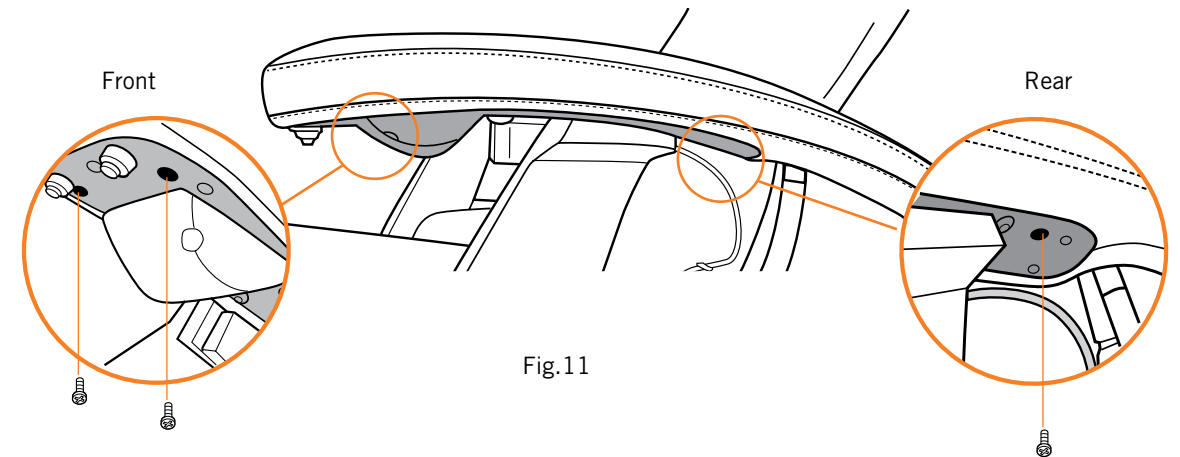


Fig.9

7. While pressing down on the armrest cap, secure it using the provided Phillips-head screwdriver and three screws (Fig.11).



6. While holding the housing firmly in place, place the arm cap into position and press down firmly (Fig.10).

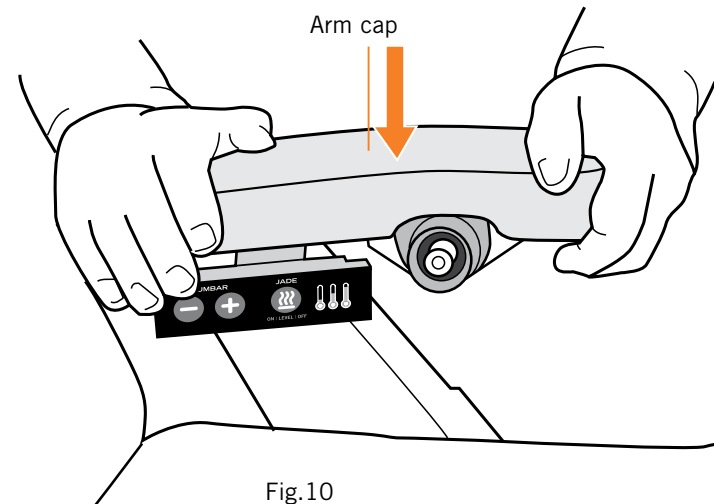


Fig.10

8. Using a Phillips-head screwdriver, remove the screw and washer that secure the left-hand glide rail safety tip (Fig.12).  
9. Place the control panel cable loop into position over the screw hole, then replace the screw and washer to secure it. (Fig.12).  
10. Place the cap into position on the right-hand armrest core, then secure it using three screws.

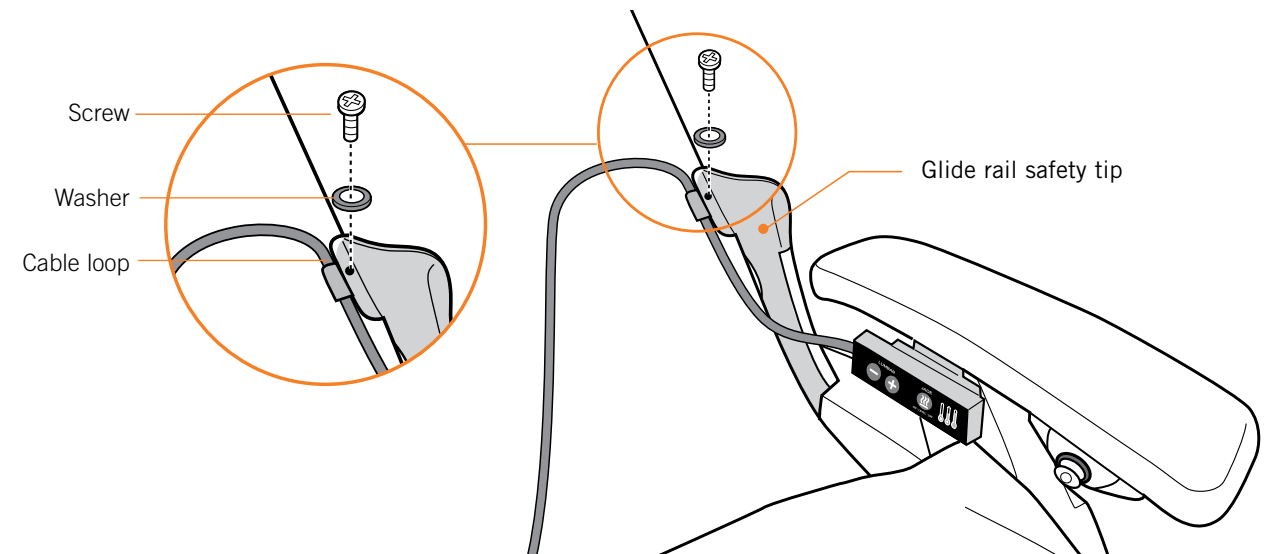


Fig.12

11. Do one of the following:
  - If you are installing the pad set on a PC-600/610, plug in the chair, use the recline controller to recline it, then unplug the chair.
  - If you are installing the pad set on a PC-420, use the recline lever to recline the chair.
12. Slide the body pad onto the footrest frame, making sure the frame slides into the pockets on the bottom corners of the pad (Fig.13).
13. Fold the upper part of the pad forward onto the seat (Fig.13).
14. Locate the following cables:
  - Cable coming through the seat canvas (from the transformer plugged into the power hub) with red wiring.
  - Two cables coming from the pad set with black and yellow wiring.

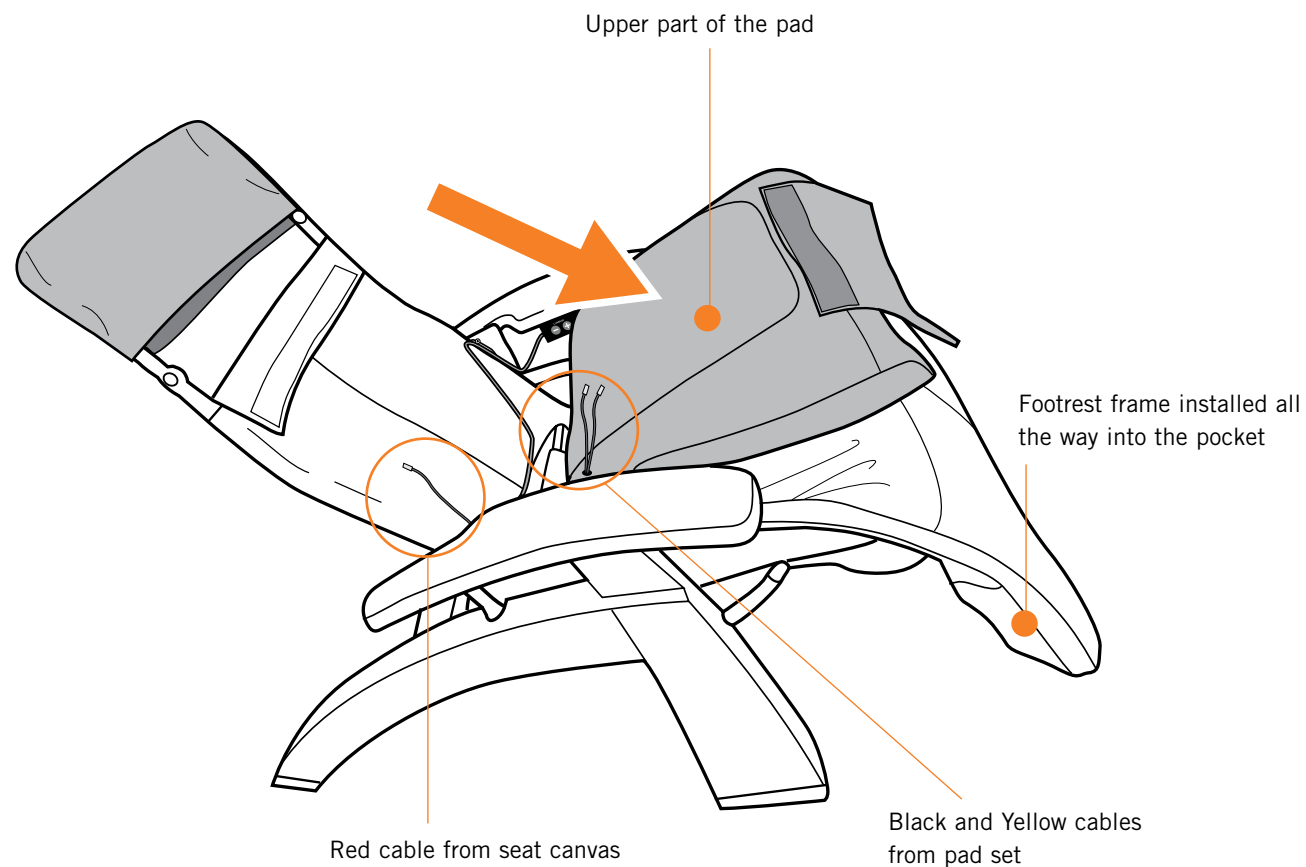


Fig.13

15. Matching the wire colors, connect the three connectors to the corresponding connectors in the connector box attached to the control panel cable. (yellow/yellow, red/red, black/black) (Fig.14).
16. Install the three cable strain reliefs into the connector box slots, push them all the way down, then snap the connector box cover into place to secure it (Fig.14).
17. Tuck the connector box into the seat canvas.

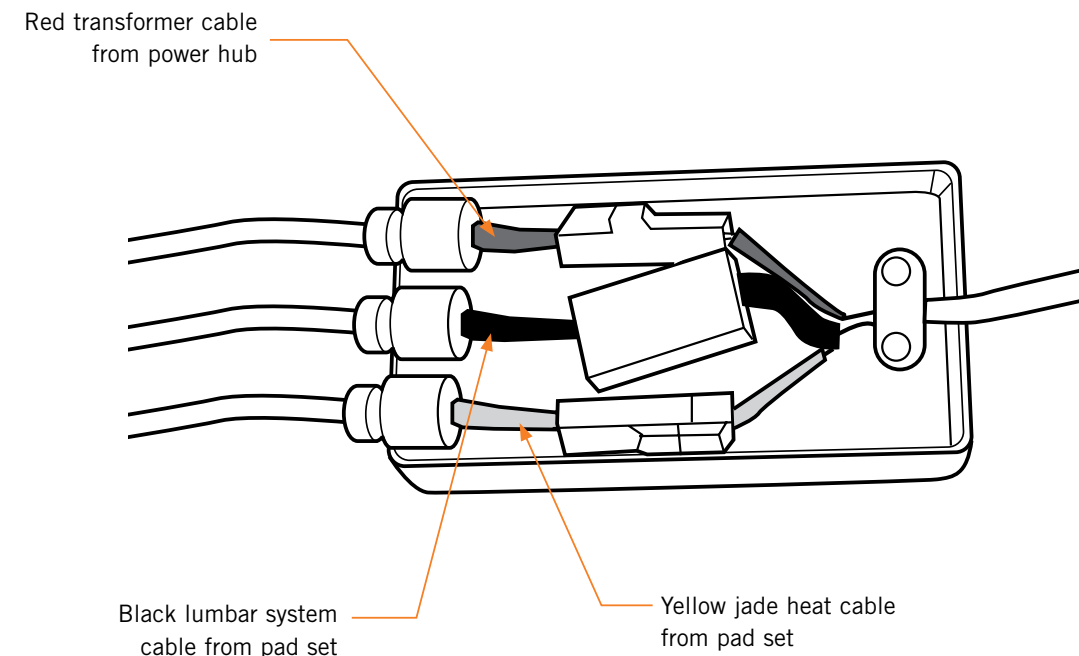
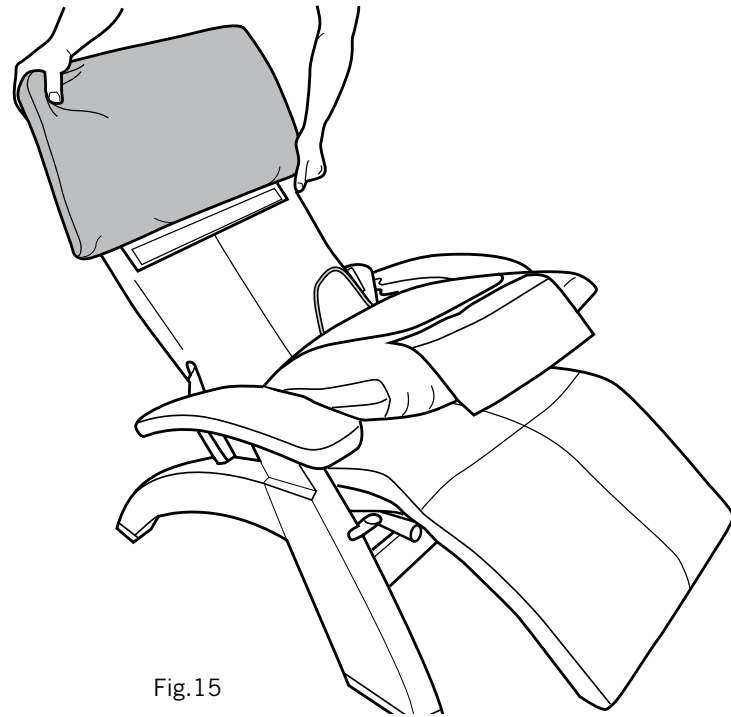


Fig.14

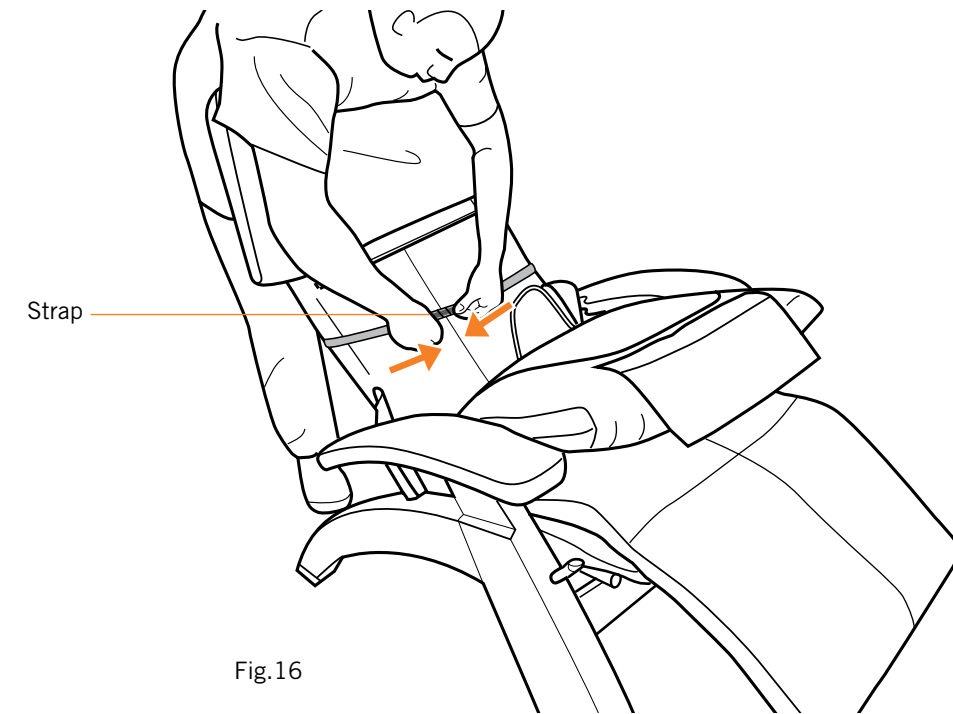


## Install the pads

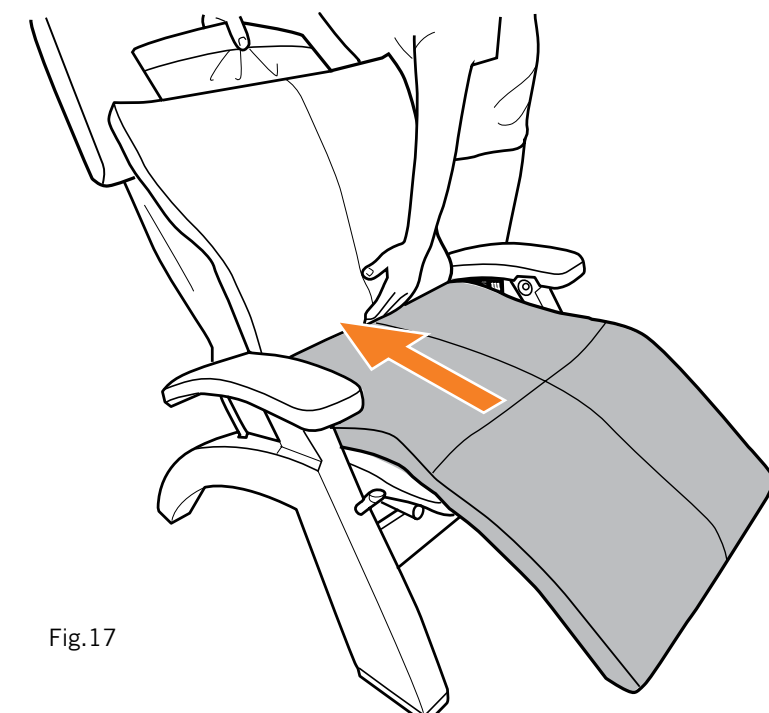
1. Slide the headrest pad over the head rest frame (Fig.15).



2. Wrap the side straps around the front of the chair canvas, pull them taut, then secure them using the hook-and-loop fasteners (Fig.16). Be sure the straps are positioned toward the middle of the chair canvas. Slide straps down if needed. **NOTE:** If the straps are too tight and/or positioned too high, it causes wrinkles in the back cover and may cause the headrest to lift.



3. Lift up on the body pad to detach the seat hook and loop fasteners, pull it firmly up toward the seat, then press firmly down on the seat and leg area to secure it (Fig.17).



- Pull up on the backrest pad until the hook-and-loop fastener strip on the back of the pad aligns with the hook-and-loop fastener strip on the chair canvas, then press the two strips firmly together (Fig.18).

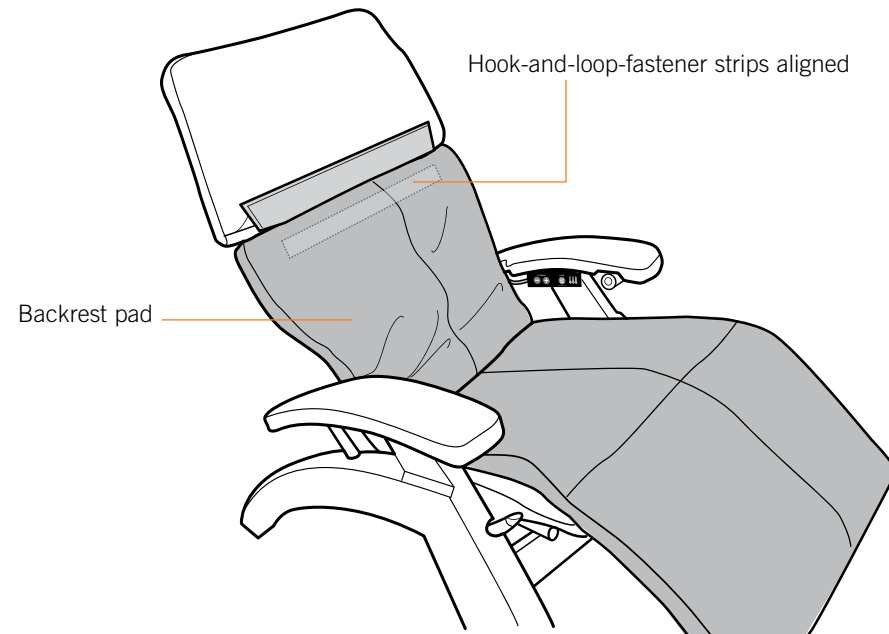


Fig.18

- Tuck the flap on the top of the body pad up into the headrest pad and smooth the lower part of the headrest pad firmly flat to secure the hook and loop fasteners inside (Fig.19).

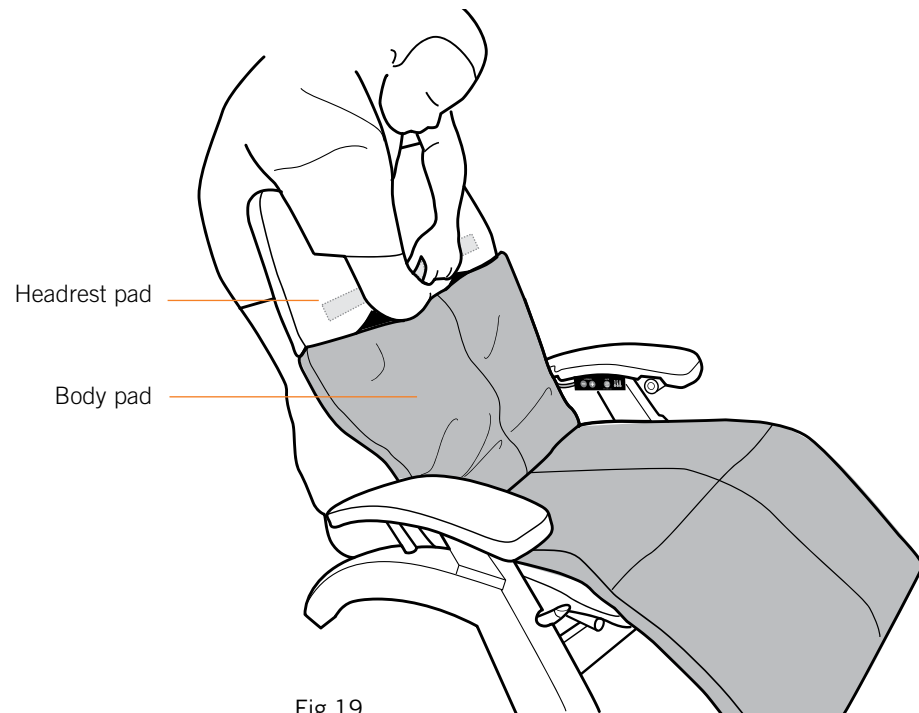
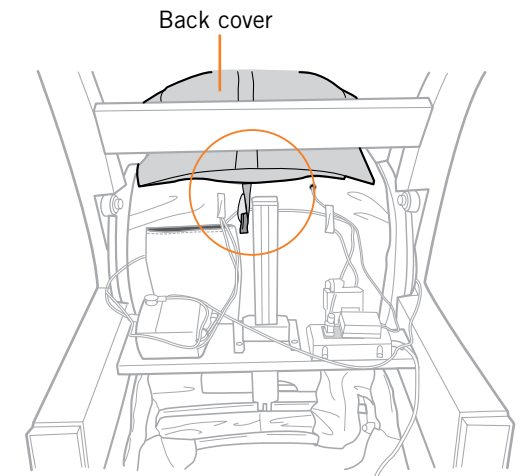
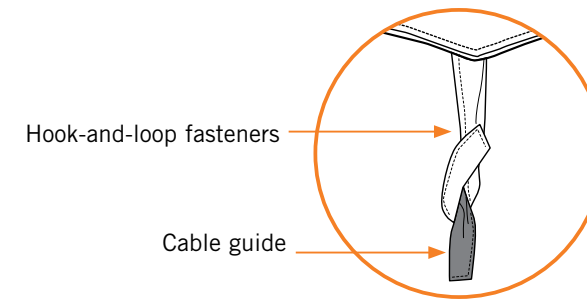


Fig.19

- Return the chair to the upright position.
- Tip the chair gently forward until it is resting on its headrest.
- Locate the canvas cable guide just to the right of the canvas pocket, then do one of the following:
  - If the cable guide is vertical, loop the strap on the bottom of the backrest cover through the left-hand cable guide, twist it so the hook-and-loop fasteners are aligned, then secure it using the hook-and-loop fasteners (Fig.20).
  - If the cable guide is horizontal, insert the end of the strap through the cable guide from the top, pull it back upward, then attach it to the strap using the hook-and-loop fasteners.

**VERTICAL CABLE GUIDE**



**HORIZONTAL CABLE GUIDE**

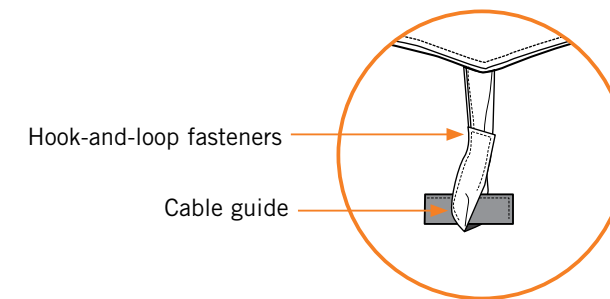
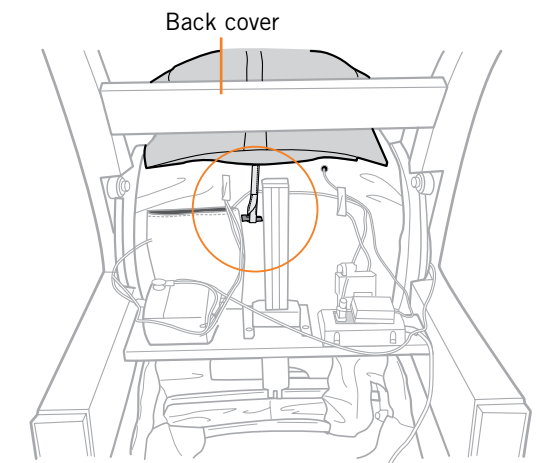


Fig.20



- Place the neck pillow at the desired height; a magnet holds it in position (Fig.21).

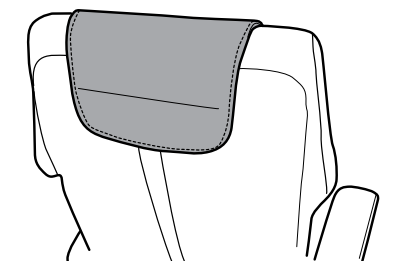
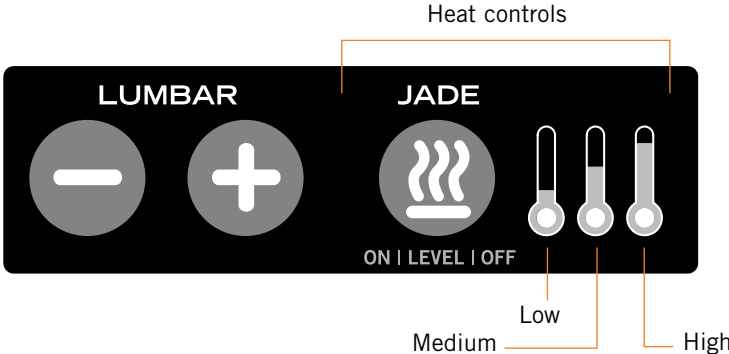


Fig.21

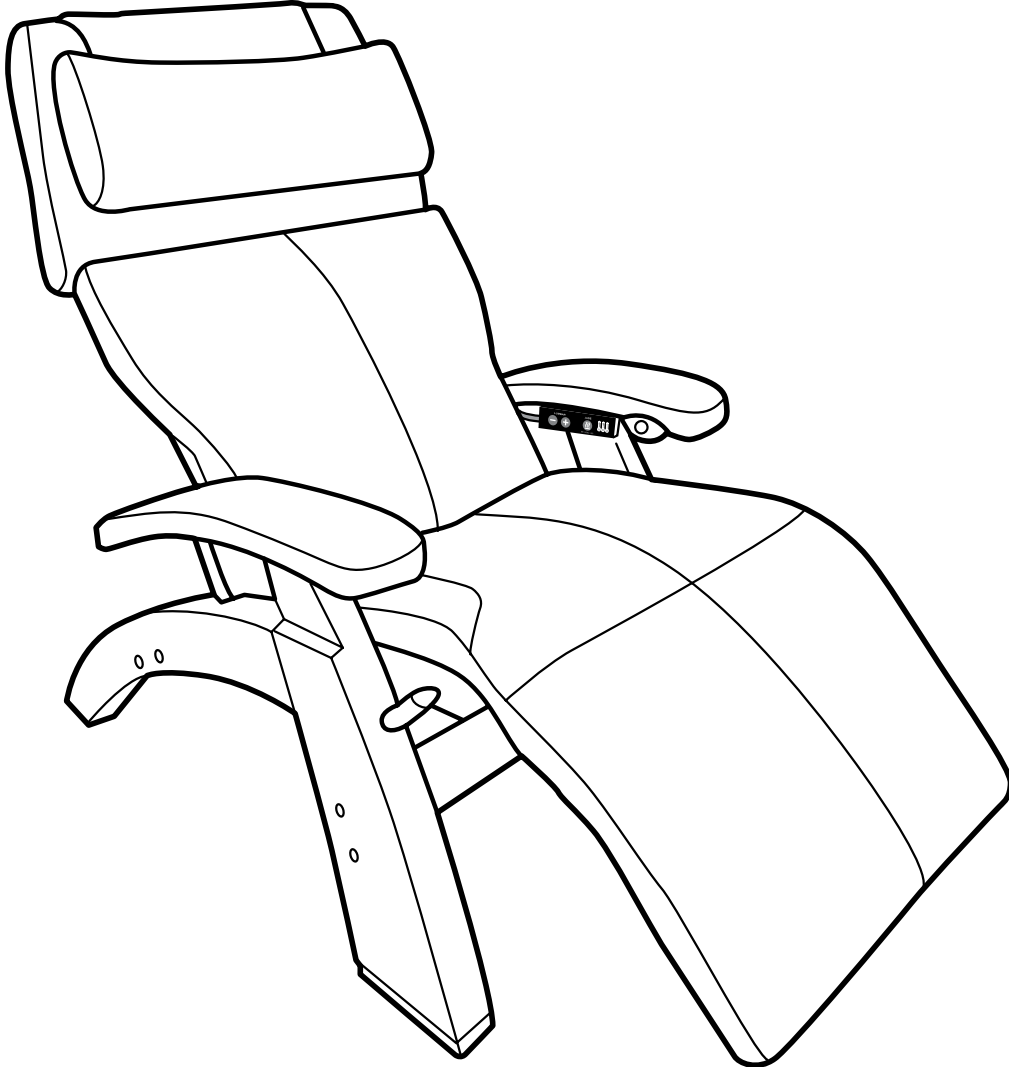
# take control

## Using the Jade Heat System

Press the heat button to toggle through low, medium, high, and off. The Jade Stones radiate far-infrared rays that deliver warmth into muscle tissue. Once the deep penetrating heat reaches the optimal temperature, the desired level of warmth is maintained.

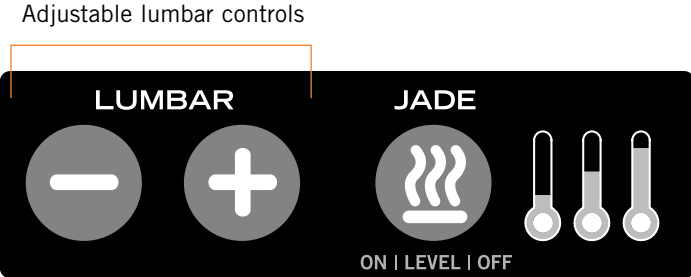


**NOTE:** The Jade Heat system automatically powers off after two hours of no use.



## Using the adjustable lumbar system

Press and hold the plus button to inflate the lumbar area; press and hold the minus button to deflate it.



## Install batteries in the lumbar system (optional)

Your Perfect Chair Supreme Upholstery Package is equipped with a battery-powered option for the lumbar system, to be used in the case of a power outage or if you opt out of using the included jade heat system.

1. Locate the zippered pocket on the back of the body pad in the left shoulder area (Fig.22).
2. Unzip the pocket and remove the foam square (Fig.23).

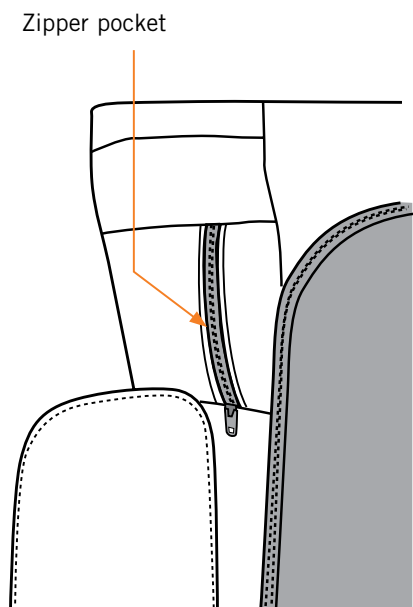


Fig.22

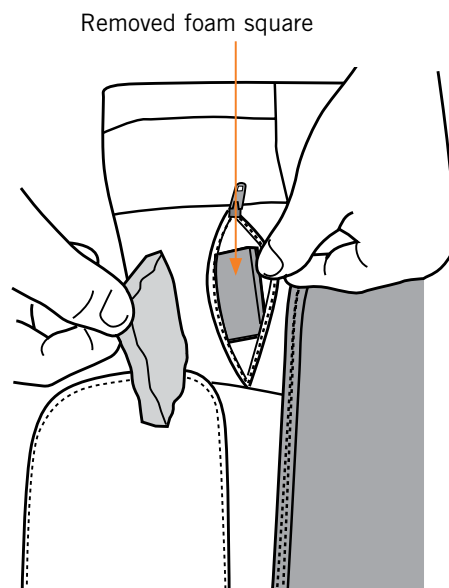


Fig.23

3. Lift the edge of the black battery compartment that is closest to the edge of the pad upward (do not pull up on the edge of the box from which the wiring is visible) (Fig.24).
4. Use your fingers to remove the battery compartment cover, then install four AA alkaline batteries (Fig.25). (Batteries not included).
5. Replace the battery compartment cover.
6. Tuck the battery compartment back into the foam cavity.
7. Replace the foam square to cover the battery compartment.
8. Close the zippered pocket.

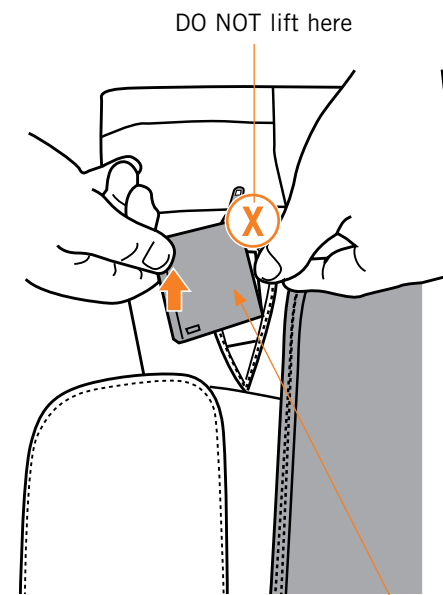


Fig.24

Battery compartment

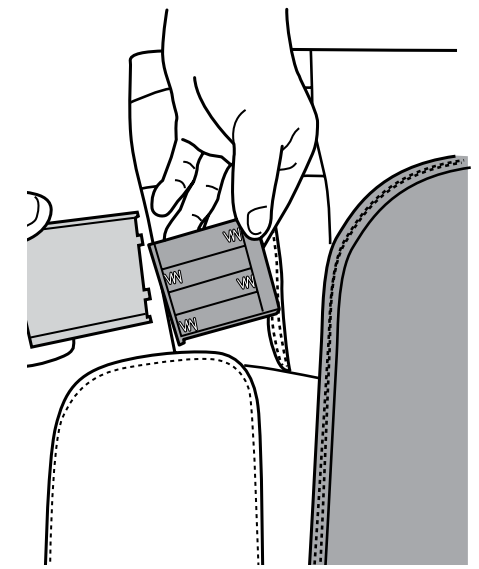


Fig.25

# care and maintenance

To keep your product working and looking its best, please follow these simple care guidelines.

## WARNING:

1. Be sure to disconnect the power cord from the electrical outlet before cleaning.
2. When cleaning the remote control or power switch, use a dry cloth only. Never use a damp cloth to clean any electrical component.

## CAUTION:

1. Be sure to test any cleaning solution on a small, inconspicuous part of the product to ensure that the color does not fade prior to using the solution on the entire product surface.
2. Do not use benzene, thinner or any other solvents on your product.

### Cleaning Code Standard for SofHyde or Cloth: W

To maintain your Human Touch product in optimum condition, dust it frequently and/or vacuum it with a soft brush vacuum extension. If your product becomes dirty, use a water-based upholstery cleaner only. To treat stains, spot clean with an upholstery shampoo or a mild detergent foam.

### Caring for Leather Upholstery

Natural leather is a breathing, porous material similar to human skin, and is susceptible to staining due to absorbing dirt, sweat, moisture, oil and grease (e.g., hair products and skin lotions). Do not allow these elements to come into direct contact with the upholstery. To help prevent normal leather cracking and drying, and help prevent staining, apply a high-quality leather cleaner and conditioner at least every three months; this will revitalize and reseal the leather surfaces. Follow the product label instructions carefully; Human Touch is not responsible for third-party products.

### Maintenance and Repair:

1. The mechanics of this product are specially designed and constructed to be maintenance free. No periodic lubrication or servicing is required.
2. Your chair should only be serviced by a Human Touch-authorized service representative.

### Use and Storage Environment:

1. Do not place the chair in direct or reflected sunlight, as ultraviolet rays will quickly fade the upholstery color and cause SofHyde upholstery to rapidly deteriorate.
2. Operate your chair in a room temperature between 41 and 104 degrees Fahrenheit (5 to 40 degrees Celsius) with humidity levels of 10% to 70% (non-condensing) to avoid damage.
3. To prevent damage to the upholstery, before sitting in your chair make sure there are no sharp objects in your pockets and no metal buttons or zippers that can come in contact with the chair.
4. Do not place the chair where excessive dust and pet hair can migrate into the chair's electrical and mechanical components; this can cause malfunction over time.
5. When not in use for a long period of time, we recommend that the chair be covered, the power cord be coiled, and that the unit be placed in an environment free of dust and moisture.
6. Store your chair in a room temperature between 5 and 122 degrees Fahrenheit (-15 to 50 degrees Celsius) with humidity levels of 10% to 70% (non-condensing) to avoid damage; product stored in cold temperatures may require 48 hours at room temperature to function properly.
7. Do not store near open heat or flame.

# having trouble?

## Having trouble with your Jade Heat or adjustable lumbar system?

Before calling customer service, perform these easy troubleshooting steps:

### My control panel is not working at all (no LEDs light):

1. Make sure the transformer is plugged securely into the power hub on the underside of the chair.
2. Make sure the power hub is plugged securely into a wall outlet.
3. Make sure the wall outlet is working, by plugging a known working appliance into it.
4. Detach the top of the body pad and fold it forward, open the black connector box cover, confirm there are no damaged wires, and then unplug/replug the red cable connector.

### My Jade Heat system is working but my adjustable lumbar system is not working:

1. Detach the top of the body pad and fold it forward, open the black connector box cover, confirm there are no damaged wires, and then unplug/replug the black cable connector.

### My Jade Heat system has no heat (but the LEDs light on the control panel and the adjustable lumbar system is working):

1. Detach the top of the body pad and fold it forward, open the black connector box cover, wires, confirm there are no damaged wires, and then unplug/replug the yellow cable connector.

### My lumbar system is working, but my Jade Heat system is not working:

1. Detach the top of the body pad and fold it forward, open the black connector box cover, confirm there are no damaged wires, and then unplug/replug the yellow cable connector.

## Questions about the pads?

### Before calling customer service, consider the following:

- Small scratches, slight color changes, and minor stretching are a normal part of leather wear over time.
- Perfect Chair pads are “soft cushion” upholstery, therefore some wrinkles are an intended part of their appearance.
- As with any soft upholstery, sitting habits may cause sharp folds to occur over time. These can generally be smoothed out if caught early, or remove and reinstall the pad for maximum improvement.
- It is normal for upholstery foam, whether standard foam or memory foam, to settle and compress to some degree over time, somewhat altering its appearance.
- If the pads are crooked, sagging, making noise, or uncomfortable, remove and reinstall the pad set **carefully following the instructions** in this manual.

---

Contact our Customer Experience team at **800-355-2762**,  
Monday – Thursday 7 AM to 4:30 PM PST, Friday 7 AM to 3:30 PM  
or [csadmin@humantouch.com](mailto:csadmin@humantouch.com)

---

**Specifications\***

Operating Voltage: 125 VAC 60HZ. 20 Watts

*\*Specifications are subject to change without prior notice.*

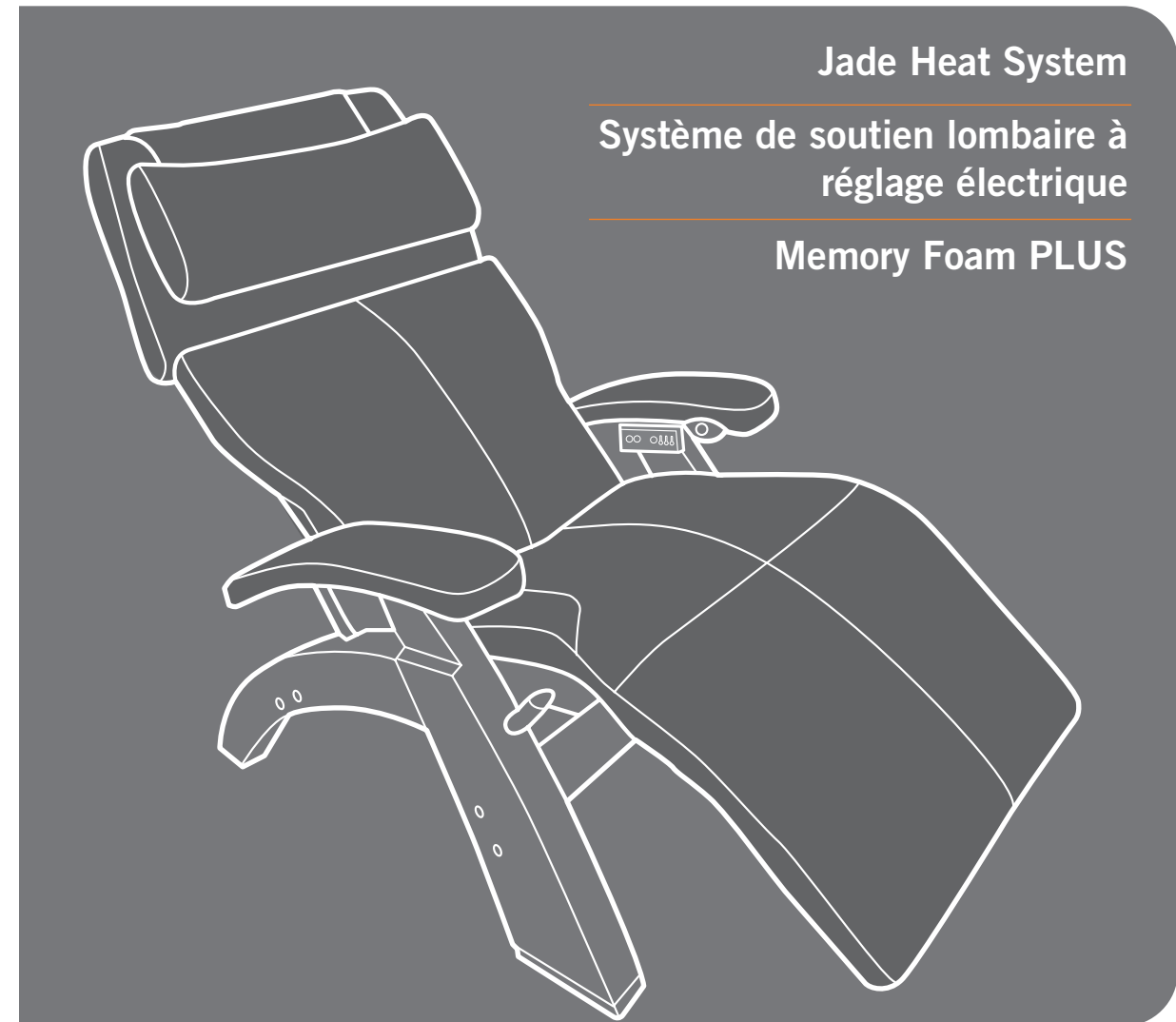
[humantouch.com](http://humantouch.com)

Ensemble de garniture SUPREME  
**Perfect Chair® PC-420/600/610**  
avec technologie

Jade Heat System

Système de soutien lombaire à  
réglage électrique

Memory Foam PLUS



[humantouch.com](http://humantouch.com)  
800.355.2762



mode d'emploi et  
d'entretien

Enregistrez votre produit **EN LIGNE** dès maintenant

[www.humantouch.com/register](http://www.humantouch.com/register)

Enregistrez votre produit **EN LIGNE** dès maintenant

[www.humantouch.com/register](http://www.humantouch.com/register)



Grâce à une expérience de plus de quatre décennies, Human Touch s'est établi comme un chef de file de l'industrie en changeant la vie de ses clients grâce à des produits et services qui les aident à se sentir mieux, à performer davantage et à être à leur meilleur. Élaborés en collaboration avec des experts du domaine médical et de l'industrie, nous offrons des produits qui allient une technologie brevetée, le savoir-faire et une ergonomie intelligente avec une conception supérieure : le soulagement thérapeutique pour tous.

Nos fauteuils de massage, nos fauteuils inclinables Perfect Chair<sup>MD</sup> et notre gamme de solutions innovantes possèdent tous les mêmes attributs en matière de convivialité, de souci de la performance et de la qualité, en plus d'une conception qui s'adapte à la plupart des modes de vie. Ces qualités sont très appréciées de nos clients et nous valent de nombreuses reconnaissances et de nombreux prix dans l'industrie. Ainsi, Human Touch permet aux gens de vivre en meilleure santé, avec plus de vitalité, que ce soit au niveau professionnel ou personnel, au quotidien. Alors que de plus en plus de gens prennent conscience des bienfaits du mieux-être, Human Touch élargit son leadership de marque et offre des solutions dont tous peuvent profiter.

[humantouch.com](http://humantouch.com)



Enregistrez votre produit à [www.humantouch.com](http://www.humantouch.com) pour que votre produit figure dans notre système, ce qui simplifiera le processus de la garantie, si jamais vous en aviez besoin.

## Ensemble de garniture SUPREME

### Perfect Chair<sup>®</sup> PC-420/600/610 avec technologie

Jade Heat System

Système de soutien lombaire  
à réglage électrique

Memory Foam PLUS

## bienvenue à human touch<sup>®</sup>

Votre ensemble de garniture Perfect Chair Supreme regorge de caractéristiques conçues pour bercer votre corps de confort, non seulement dans la classique position zéro gravité, mais aussi dans la position assise que vous utilisez le plus souvent.

Ajustez facilement votre soutien lombaire en une pression de bouton qui permet de gonfler simplement la région lombaire contrôlée avec précision selon vos préférences de confort précises.

Grâce à l'ajout des propriétés curatives de la chaleur infrarouge à votre Perfect Chair, nous avons intégré des éléments propres à la terre et les arts de la guérison de l'Extrême-Orient dans un fauteuil incroyablement luxueux qui apaise les muscles exténués et douloureux, ce qui permet d'amener le corps dans un nouvel état de confort et de relaxation. Nous avons également intégré un élégant siège chauffant en peluche haute densité comprenant une mousse viscoélastique Memory Foam PLUS sensible de qualité supérieure qui maximise le confort et offre un soutien idéal tout en épousant le contour du corps en entier.



# consignes de sécurité

## CONSIGNES DE SÉCURITÉ IMPORTANTES

Lorsque vous utilisez un appareil électrique, vous devez toujours suivre les précautions de base suivantes :

### LISEZ TOUTES LES INSTRUCTIONS AVANT D'UTILISER CET APPAREIL.



#### **DANGER: AFIN DE RÉDUIRE LES RISQUES D'ÉLECTROCUTION :**

DÉBRANCHEZ TOUJOURS CET APPAREIL DE L'ALIMENTATION ÉLECTRIQUE DÈS QUE VOUS AVEZ FINI DE L'EMPLOYER ET AVANT DE LE NETTOYER.



#### **MISE EN GARDE : POUR RÉDUIRE LE RISQUE DE BRÛLURE, DE DÉCHARGE ÉLECTRIQUE ET D'INCENDIE, CE PRODUIT DOIT ÊTRE UTILISÉ CONFORMÉMENT AUX INSTRUCTIONS SUIVANTES :**

- TENEZ VOS MAINS ET VOS DOIGTS ÉLOIGNÉS DU MÉCANISME DE MASSAGE ET DES ROULEAUX LORSQU'ILS SONT EN MARCHE.
- SI LE CORDON D'ALIMENTATION EST ENDOMMAGÉ, IL DOIT ÊTRE REMPLACÉ PAR LE FABRICANT, SON REPRÉSENTANT DE SERVICE OU UN TECHNICIEN QUALIFIÉ AFIN D'ÉVITER TOUT DANGER.
- UN APPAREIL NE DEVRAIT JAMAIS ÊTRE LAISSÉ SANS SURVEILLANCE LORSQU'IL EST BRANCHÉ. DÉBRANCHEZ L'APPAREIL DE L'ALIMENTATION LORSQUE VOUS NE L'EMPLOYEZ PAS ET AVANT D'Y INSÉRER OU D'EN RETIRER DES PIÈCES.
- UNE SURVEILLANCE ÉTROITE EST NÉCESSAIRE LORSQUE CE FAUTEUIL EST EMPLOYÉ PRÈS OU PAR DES ENFANTS OU DES PERSONNES HANDICAPÉES. GARDEZ LES ENFANTS À L'ABRI DU REPOSE-PIED DÉPLOYÉ (OU AUTRES PIÈCES SEMBLABLES).
- EMPLOYEZ CE FAUTEUIL À CE POUR QUOI IL A ÉTÉ CONÇU, TEL QUE DÉCRIT DANS CE GUIDE. EMPLOYEZ UNIQUEMENT LES ACCESSOIRES RECOMMANDÉS PAR LE FABRICANT.
- N'EMPLOYEZ JAMAIS CE PRODUIT SI SON CORDON OU SA FICHE D'ALIMENTATION SONT ENDOMMAGÉS, S'IL NE FONCTIONNE PAS CORRECTEMENT, S'IL A ÉTÉ ÉCHAPPÉ OU ENDOMMAGÉ OU S'IL A ÉTÉ IMMÉRGÉ. RETOURNEZ CE FAUTEUIL À UN CENTRE DE SERVICE POUR EXAMEN ET RÉPARATION.
- NE TRANSPORTEZ PAS CET APPAREIL EN TIRANT SUR SON CORDON D'ALIMENTATION. N'UTILISEZ PAS LE CORDON D'ALIMENTATION COMME UNE POIGNÉE.
- ÉLOIGNEZ TOUJOURS LE CORDON D'ALIMENTATION DE TOUTE SOURCE DE CHALEUR.
- NE FAITES JAMAIS FONCTIONNER CE FAUTEUIL SI SES TRAPPES D'AÉRATION SONT OBSTRUÉES. MAINTENEZ LES TRAPPES D'AÉRATION EXEMPTES DE PELUCHE, DE CHEVEUX ET DE SUBSTANCES SEMBLABLES.
- N'ÉCHAPPEZ NI N'INSÉREZ JAMAIS AUCUN OBJET DANS AUCUNE OUVERTURE.
- N'EMPLOYEZ PAS CE FAUTEUIL À L'EXTÉRIEUR.
- NE FAITES PAS FONCTIONNER DANS UN ENDROIT OÙ ON UTILISE DES PRODUITS À BOMBE AÉROSOL (VAPORISATEUR) OU DANS UN ENDROIT OÙ DE L'OXYGÈNE EST ADMINISTRÉE.
- N'EMPLOYEZ PAS CET APPAREIL SUR UNE SURFACE HUMIDE OU LORSQU'UNE PARTIE DE VOTRE CORPS EST EN CONTACT AVEC UNE STRUCTURE DE PLOMBERIE OU AUTRE STRUCTURE SIMILAIRE.
- N'EMPLOYEZ PAS CE FAUTEUIL S'IL ÉMET UN BRUIT PLUS ÉLEVÉ QUE LE SON NORMAL.

- NE VOUS METTEZ PAS DEBOUT SUR OU DANS L'APPAREIL. N'UTILISEZ CET APPAREIL QU'EN POSITION ASSISE.
- CET APPAREIL NE DOIT PAS ÊTRE UTILISÉ PAR DES PERSONNES À CAPACITÉS RÉDUITES, Y COMPRIS LES ENFANTS, OU QUI MANQUENT DE CONNAISSANCE ET D'EXPÉRIENCE, À MOINS QU'ILS N'AIENT ÉTÉ INSTRUITS SUR LE FONCTIONNEMENT DE L'APPAREIL PAR LA PERSONNE RESPONSABLE DE LEUR SÉCURITÉ. NE PAS LAISSER LES ENFANTS SANS SURVEILLANCE À PROXIMITÉ DU FAUTEUIL.
- NE PAS UTILISER CE PRODUIT LORSQUE VOUS DORMEZ.
- NE PAS UTILISER CE PRODUIT AVEC UN NOURRISSON.
- CE COUSSIN N'EST PAS CONÇU POUR ÊTRE UTILISÉ POUR UNE PERSONNE INVALIDE, ENDORMIE OU INCONSCIENTE, OU UNE PERSONNE AYANT UNE MAUVAISE CIRCULATION SANGUINE, À MOINS QU'ELLE SOIT SUPERVISÉE AVEC ATTENTION.
- NE PAS UTILISER SUR DES ZONES OÙ LA PEAU EST INSENSIBLE.
- DES BRÛLURES PEUVENT SE PRODUIRE INDÉPENDAMMENT DU RÉGLAGE; VÉRIFIER RÉGULIÈREMENT LA PEAU SOUS LE COUSSIN.
- NE JAMAIS UTILISER SI LA HOUSSE N'EST PAS EN PLACE.
- NE PAS UTILISER D'ÉPINGLES OU D'AUTRES MOYENS MÉTALLIQUES POUR FIXER CE COUSSIN EN PLACE.
- NE PAS S'ASSEOIR SUR LE COUSSIN ET NE PAS L'ÉCRASER - ÉVITER DE LE PLIER DE FAÇON PRONONCÉE.
- NE JAMAIS TIRER CE COUSSIN PAR LE CORDON D'ALIMENTATION.
- NE PAS UTILISER LE CORDON COMME UNE POIGNÉE.
- IL N'EST PAS NÉCESSAIRE D'OUVRIER LA HOUSSE POUR EXAMINER LE COUSSIN AVANT CHAQUE UTILISATION
- POUR LE RANGEMENT, ENROULER LE CORDON SANS LE SERRER, CAR S'IL EST ROULÉ SERRÉ, LE CORDON ET DES PIÈCES INTERNES POURRAIENT ÊTRE ENDOMMAGÉS.
- AVANT D'UTILISER LE PRODUIT, LIRE ET OBSERVER TOUTES LES INSTRUCTIONS FOURNIES SUR LA BOÎTE OU DANS L'EMBALLAGE AVEC LE COUSSIN.
- LE COUSSIN CHAUFFANT NE DOIT PAS ÊTRE LAVÉ.

### CONSIGNES DE SÉCURITÉ

- NOUS RECOMMANDONS LE PORT DE VÊTEMENTS CONFORTABLES POUR L'EMPLOI DE CE PRODUIT.
- SI VOUS ÉPROUVEZ UN INCONFORT ANORMAL LORSQUE VOUS EMPLOYEZ CE PRODUIT, ÉTEIGNEZ-LE IMMÉDIATEMENT ET CESSEZ SON EMPLOI. CONSULTEZ VOTRE MÉDECIN.
- NE TIREZ PAS SUR LE CORDON D'ALIMENTATION.
- SI VOUS EMPLOYEZ CE PRODUIT APRÈS UNE PÉRIODE DE RANGEMENT PROLONGÉE, VÉRIFIEZ SON BON FONCTIONNEMENT AU PRÉALABLE.
- ASSUREZ-VOUS TOUJOURS QU'AUCUN OBSTACLE NE SE TROUVE DERRIÈRE LE FAUTEUIL. ASSUREZ-VOUS DE DISPOSER D'UN ESPACE SUFFISANT POUR INCLINER LE FAUTEUIL.
- POUR ÉVITER LES BLESSURES, GARDEZ LES ANIMAUX LOIN DU FAUTEUIL LORSQUE VOUS L'UTILISEZ.

#### **NE RÉPAREZ PAS CE FAUTEUIL VOUS-MÊME.**

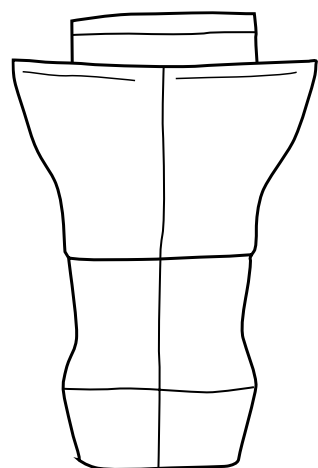
- CE FAUTEUIL EST CONÇU POUR UN USAGE PERSONNEL AU FOYER. TOUT USAGE À DES FINS COMMERCIALES ANNULERA LA GARANTIE.
- AFIN DE RÉDUIRE LES RISQUES D'ÉLECTROCUTION, CET APPAREIL EST DOTÉ D'UN CORDON À FICHE POLARISÉE (UNE LAME EST PLUS LARGE QUE L'AUTRE). CETTE FICHE NE S'INSÈRE QUE DANS UN SEUL SENS DANS UNE PRISE POLARISÉE. SI LA FICHE NE S'INSÈRE PAS ENTIÈREMENT DANS LA PRISE, INVERSEZ LA FICHE. SI ELLE NE S'INSÈRE TOUJOURS PAS ENTIÈREMENT, CONTACTEZ UN ÉLECTRICIEN QUALIFIÉ POUR FAIRE INSTALLER UNE PRISE APPROPRIÉE. NE MODIFIEZ PAS LA FICHE D'ALIMENTATION ÉLECTRIQUE.

### CONSERVEZ CE MODE D'EMPLOI

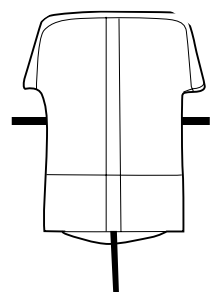
# préparez-vous

## Déballez les boîtes

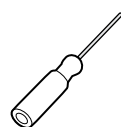
### Boîte du fauteuil



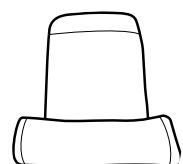
Coussin corporel



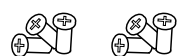
Coussin d'appuie-tête avec housse complète pour le dos



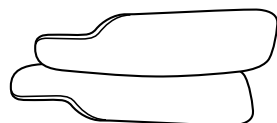
Tournevis à tête cruciforme



Oreiller nuchal



Vis (6)  
(collées sur l'emballage de  
protège-accoudoirs)



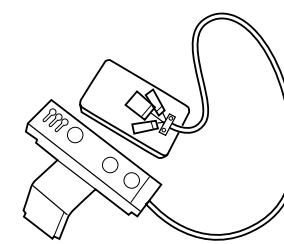
Protège-accoudoirs (2)

Votre ensemble de garniture Supreme exige un peu d'assemblage. Vous n'avez qu'à suivre ces étapes faciles....

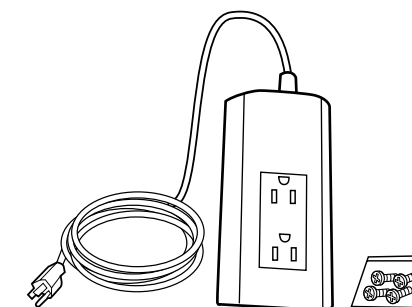
1. Installer la multiprise.
2. Installer le panneau de commande.
3. Installer les coussins.

...et avant même que vous en soyez conscient, vous serez bercé par un confort apaisant!

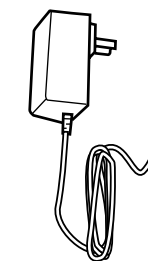
### Boîte de pièces



Panneau de commande avec boîte  
de raccordement



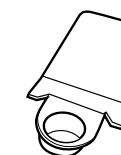
Bloc d'alimentation



Transformateur

#### PC-600/610

**REMARQUE :** Repérez le boîtier de contrôleur d'inclinaison qui est fourni avec la base du fauteuil.



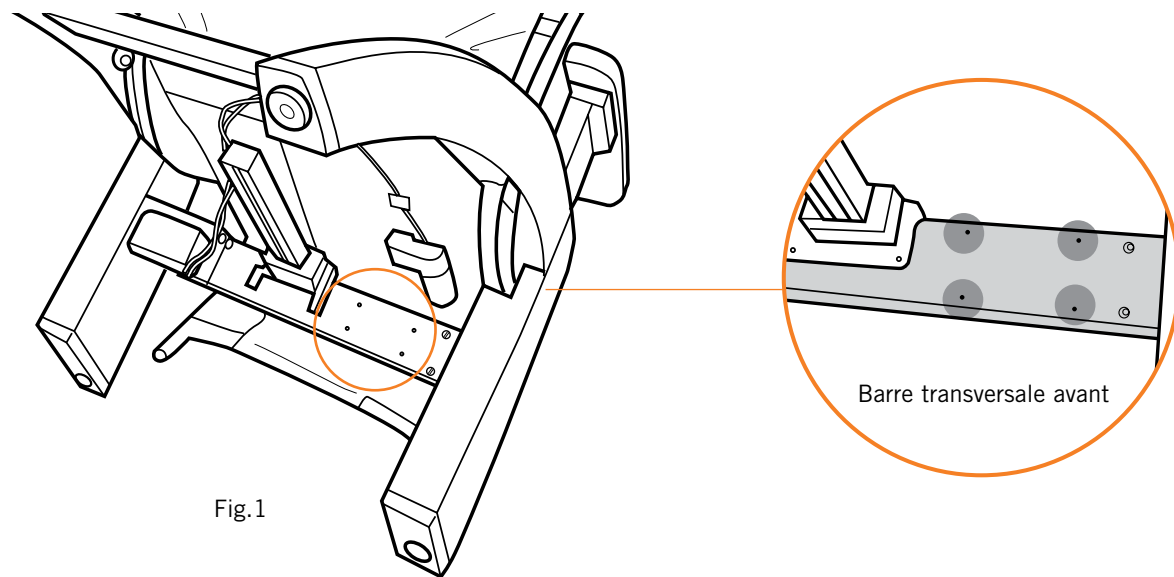
Corps de contrôleur  
d'inclinaison

# assemblage

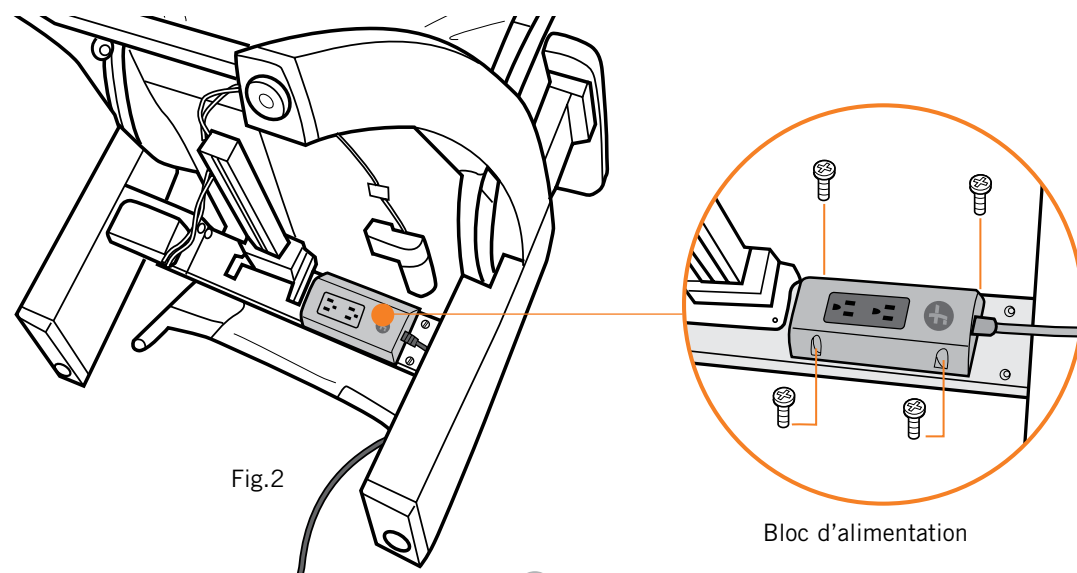
**REMARQUE :** Les illustrations dans cette section montre un **PC-600/610**. Si vous installez un ensemble de garniture sur un **PC-420**, il aura un aspect différent en dessous du fauteuil et sur l'accoudoir gauche.

## Installer la multiprise

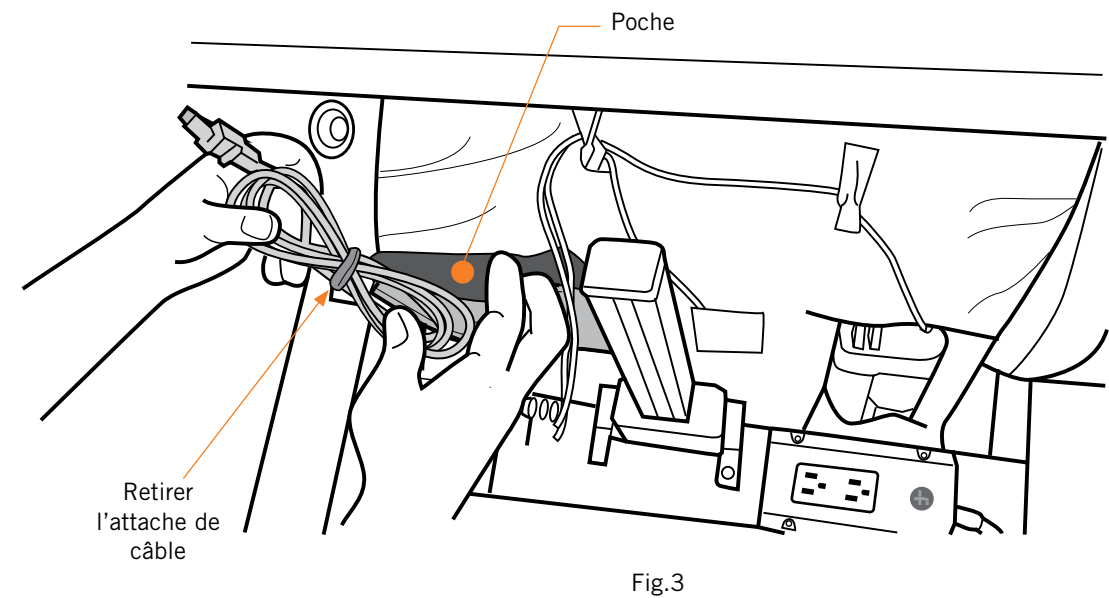
1. Faites basculer le fauteuil délicatement vers l'avant sur les repose-pieds (Fig.1).
2. Repérez les quatre trous de vis à l'arrière de la barre transversale avant.



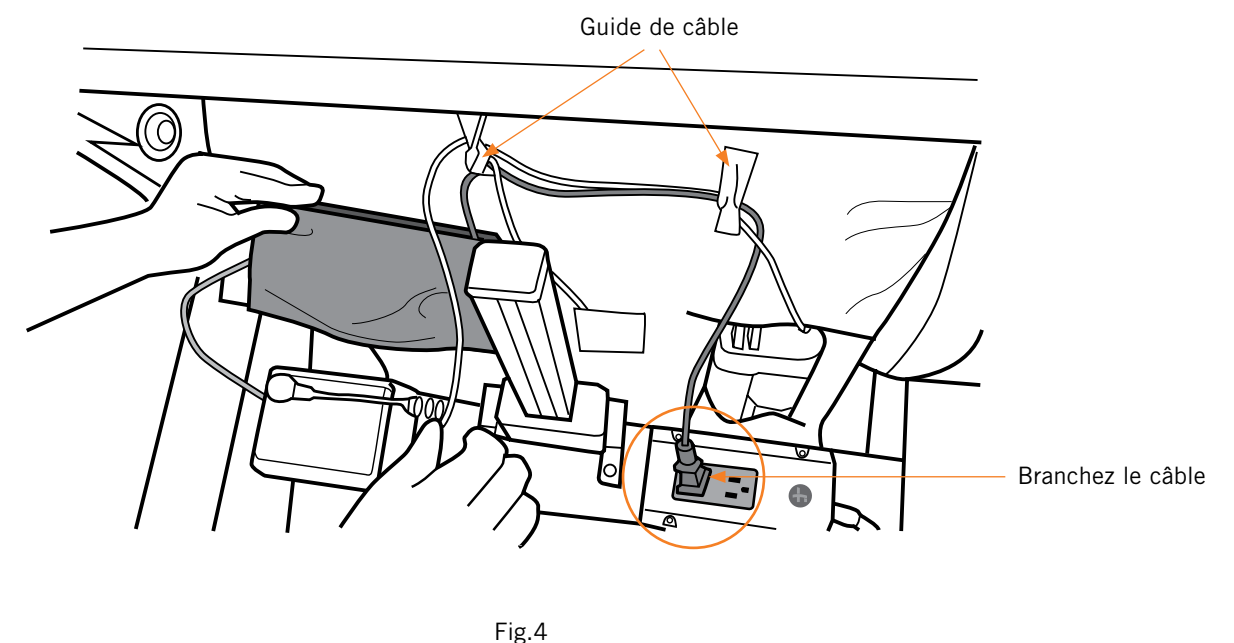
3. À l'aide du tournevis à tête cruciforme et des vis fournies, fixez la multiprise sur le fauteuil avec le cordon d'alimentation faisant face vers la droite (Fig.2).



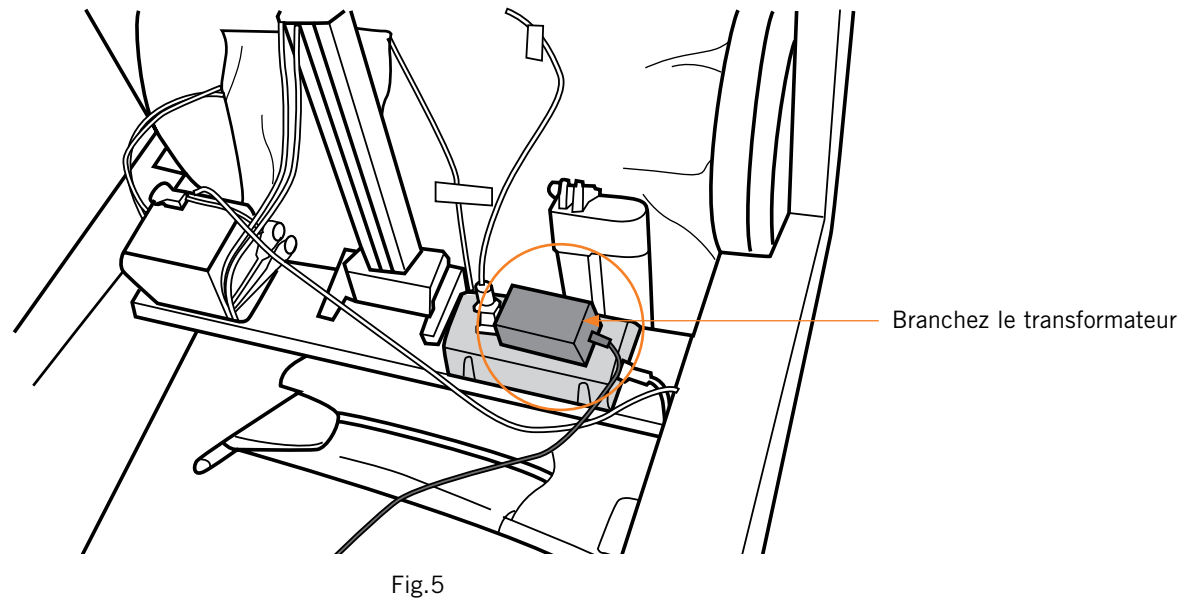
4. **PC-600/610:** Ouvrez la poche en tissu se trouvant à la base du fauteuil, retirez le câble extensible, retirez l'attache de câble, puis remettez le câble dans la poche avec la prise positionnée vers le haut (Fig.3).



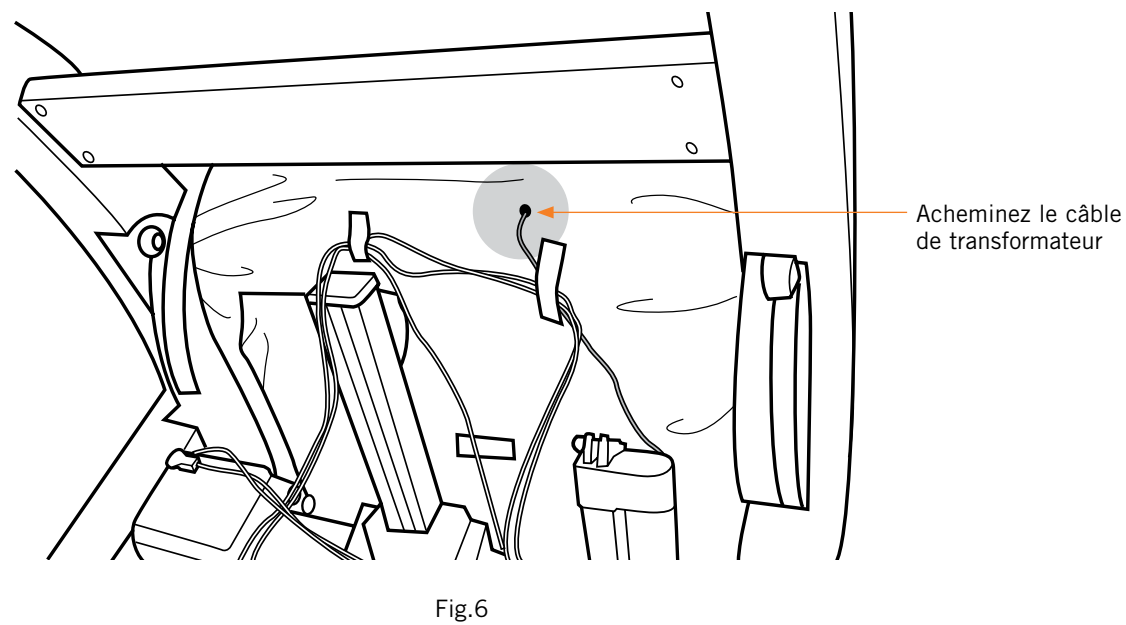
5. **PC-600/610:** Tirez délicatement le connecteur hors de la poche, acheminez le câble à travers les deux guides de câble sur la toile du fauteuil, branchez-le dans la prise de la multiprise gauche, puis fermez la poche avec les fixations autoagrippantes (Fig.4).



6. Branchez le transformateur dans la multiprise droite (Fig.5).

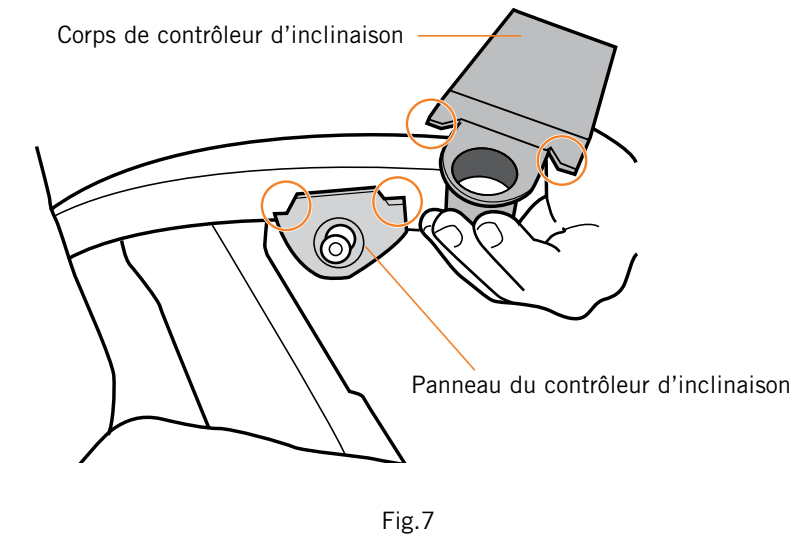


7. Acheminez le câble de transformateur à travers le guide de câble, puis à travers le trou dans le tissu du fauteuil (Fig. 6).
8. Remettez délicatement le fauteuil à la verticale.

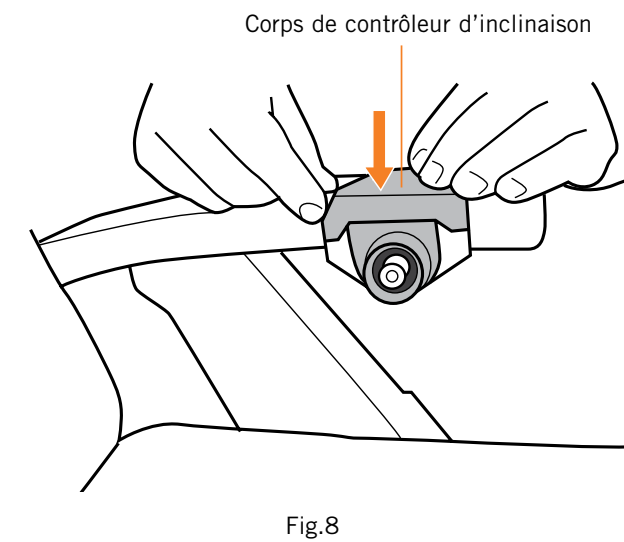


## Installer le panneau de commande

1. Récupérez les six vis fixées à l'emballage du protège-accoudoir.
2. **PC-600/610:** Veuillez prendre note de la forme du haut du panneau de commande d'inclinaison et de la forme correspondante du boîtier de contrôleur d'inclinaison (Fig.7).



3. **PC-600/610:** Placez le boîtier en position sur l'accoudoir gauche, comme illustré (Fig.8).
4. **PC-600/610:** Assurez-vous que les formes correspondantes sont alignées solidement pour garantir que le bouton est centré dans le boîtier.



5. Placez le panneau de commande sur l'accoudoir, au-dessus du bras du fauteuil, comme illustré (Fig. 9).

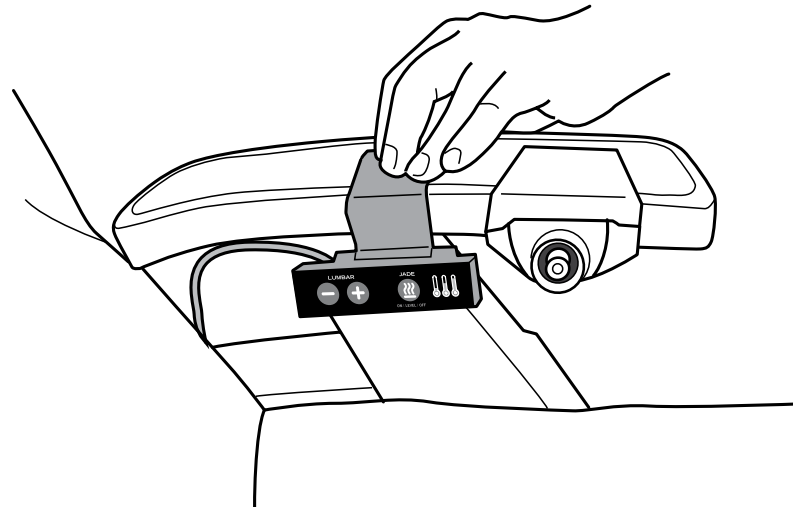


Fig.9

6. Tout en tenant le boîtier fermement en place, placez le protège-accoudoir en position et appuyez fermement (Fig.10).

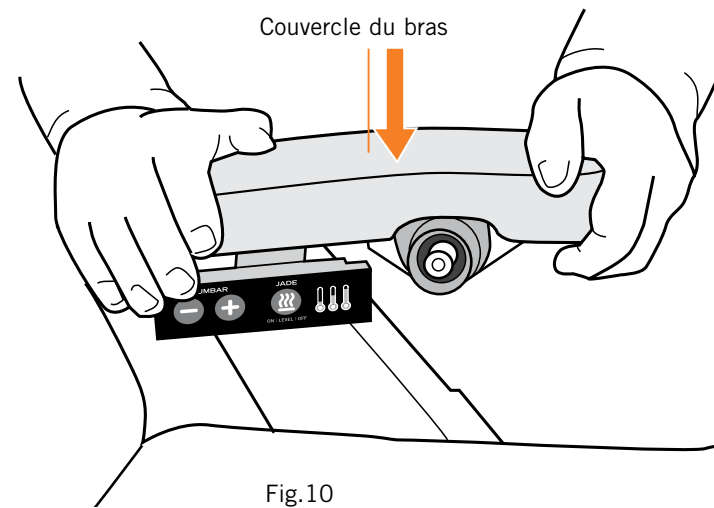


Fig.10

7. Tout en appuyant sur le protège-accoudoir, fixez-le en utilisant le tournevis à tête cruciforme et trois vis (Fig.11).

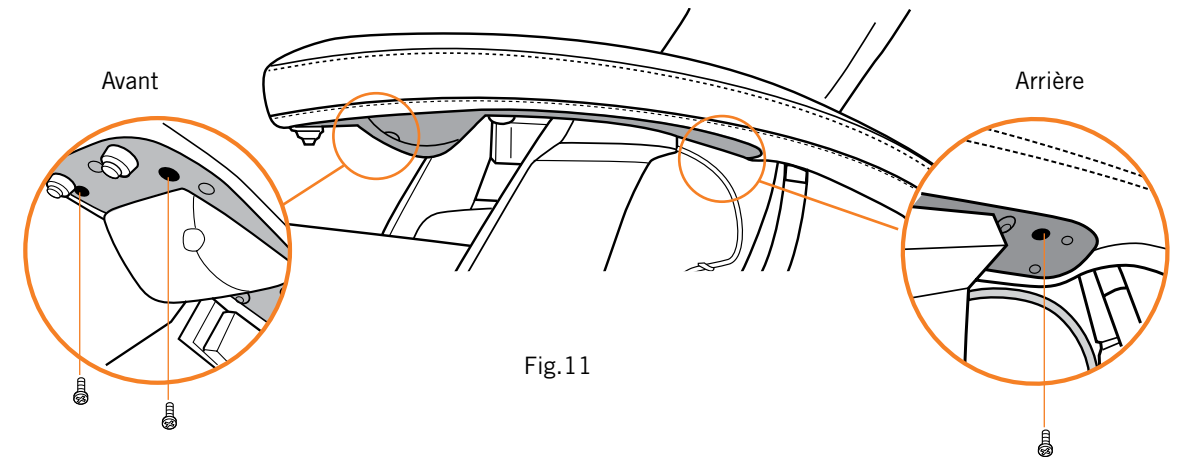


Fig.11

8. À l'aide du tournevis à tête cruciforme, retirez la vis et la rondelle qui fixent l'embout de sécurité du rail coulissant gauche (Fig.12).
9. Placez la boucle de câble du panneau de commande à son emplacement sur le trou de vis, puis remettez la vis et la rondelle pour la fixer (Fig.12).
10. Placez le protège-accoudoir en position sur l'âme de l'accoudoir droit, puis fixez-les à l'aide de trois vis.

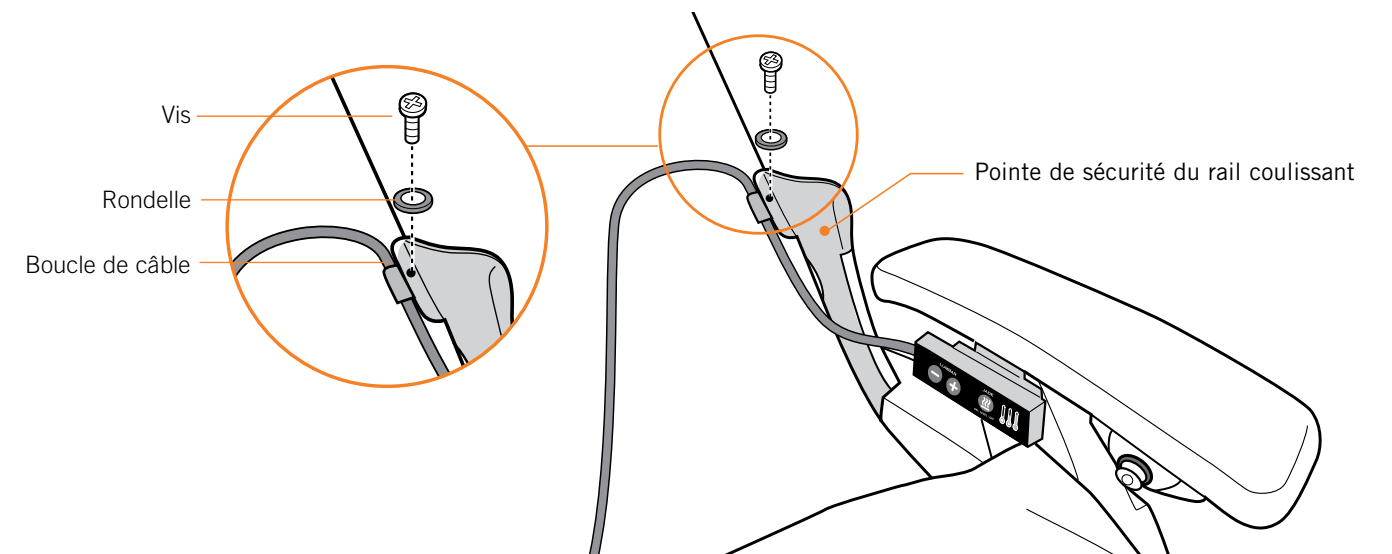


Fig.12

11. Procédez selon l'une de ces méthodes :

- Si vous installez l'ensemble de coussins sur un PC-600-610, branchez le fauteuil, utilisez le contrôleur d'inclinaison pour l'incliner, puis débranchez le fauteuil.
- Si vous installez un ensemble de coussins sur un PC-420, utilisez le levier d'inclinaison pour incliner le fauteuil.

12. Faites glisser le coussin corporel sur le cadre de repose-pieds en vous assurant que le cadre glisse dans les poches situées sur les coins inférieurs du coussin (Fig.13).

13. Pliez la partie supérieure du coussin vers l'avant sur le siège (Fig.13).

14. Repérez les câbles suivants :

- Câble qui sort de la toile du fauteuil (du transformateur branché dans la multiprise) avec le câblage rouge.
- Deux câbles qui sortent de l'ensemble de coussins avec un câblage noir et jaune.

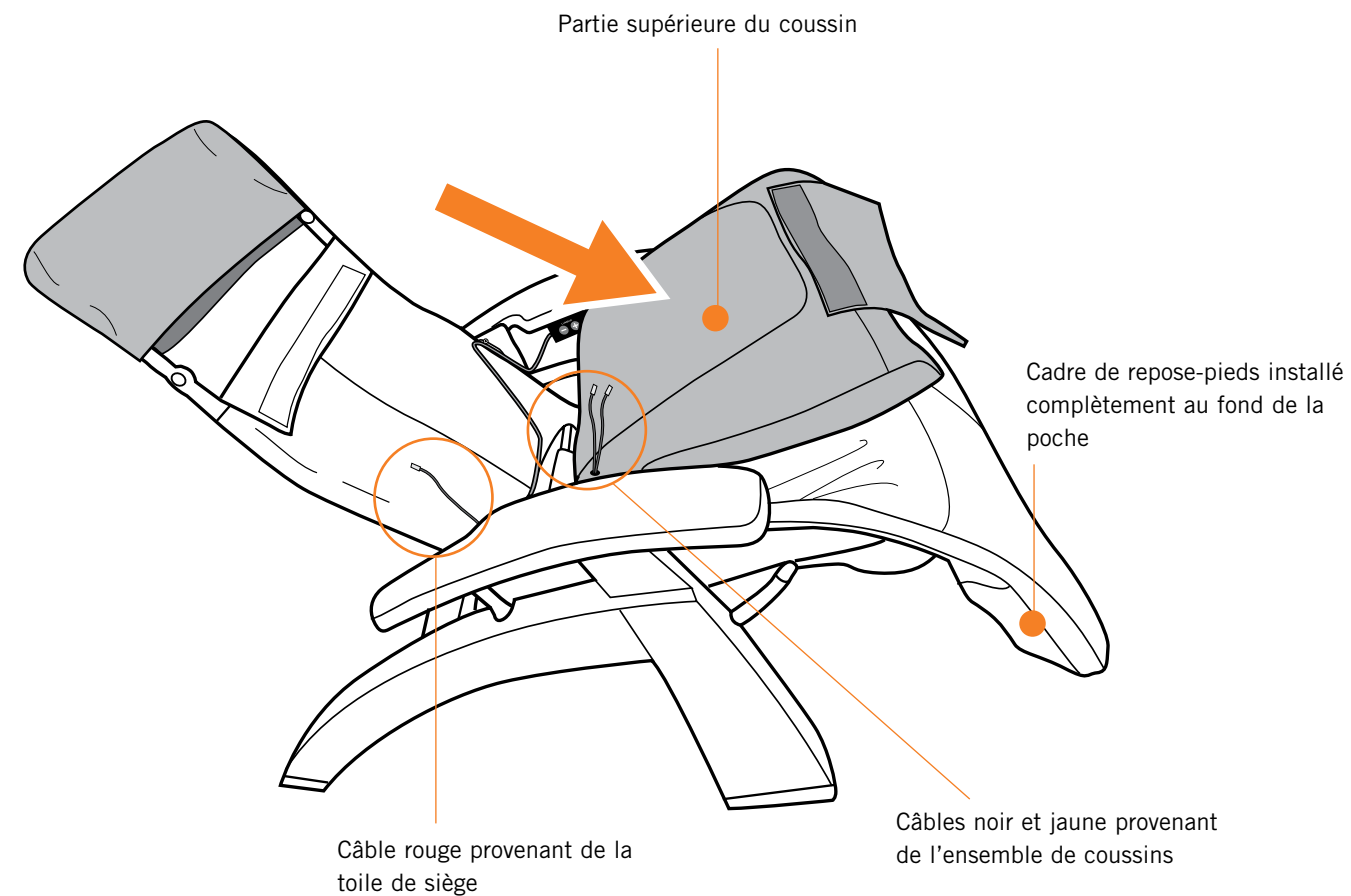


Fig.13

15. En faisant correspondre les couleurs de fil, branchez les trois connecteurs aux connecteurs correspondant dans la boîte de raccordement fixée au câble de panneau de commande. (jaune/jaune, rouge/rouge, noir/noir) (Fig.14).

16. Installez les trois détendeurs de câble dans les fentes de boîte de raccordement, poussez-les entièrement à l'intérieur, puis enclenchez le couvercle de boîte de raccordement en place pour les fixer. (Fig.14).

17. Insérez la boîte de raccordement dans la toile de siège.

Câble de transformateur rouge  
provenant de la multiprise

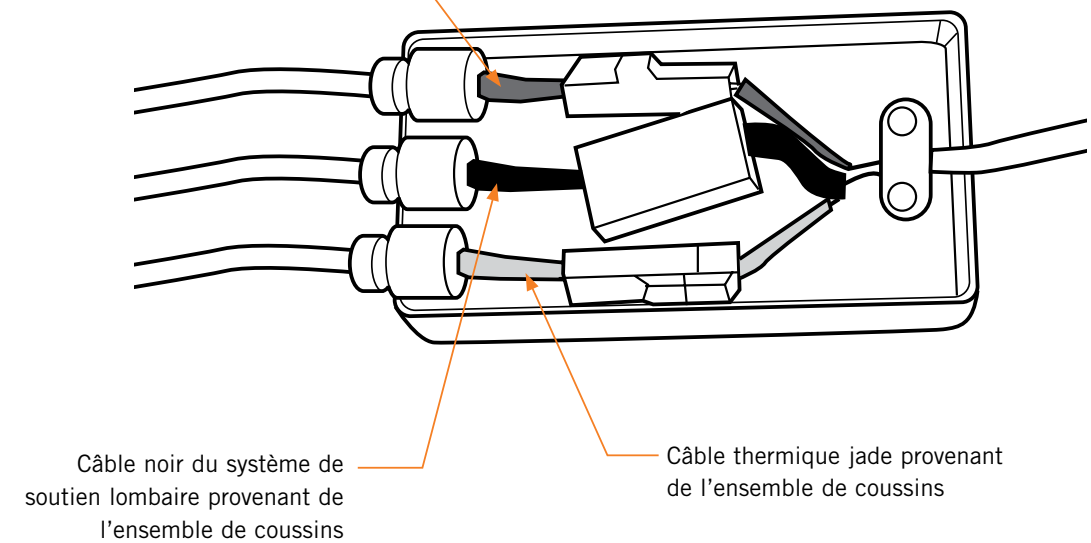
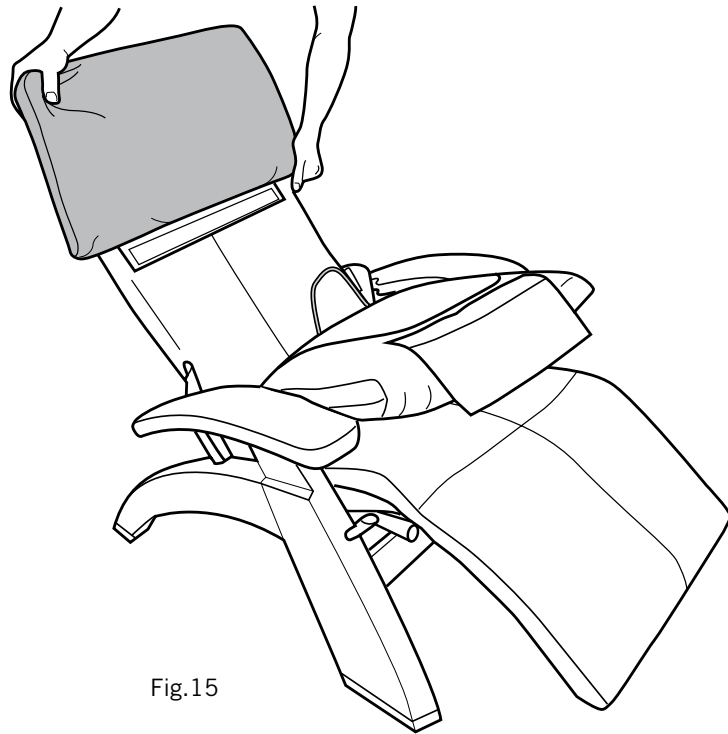


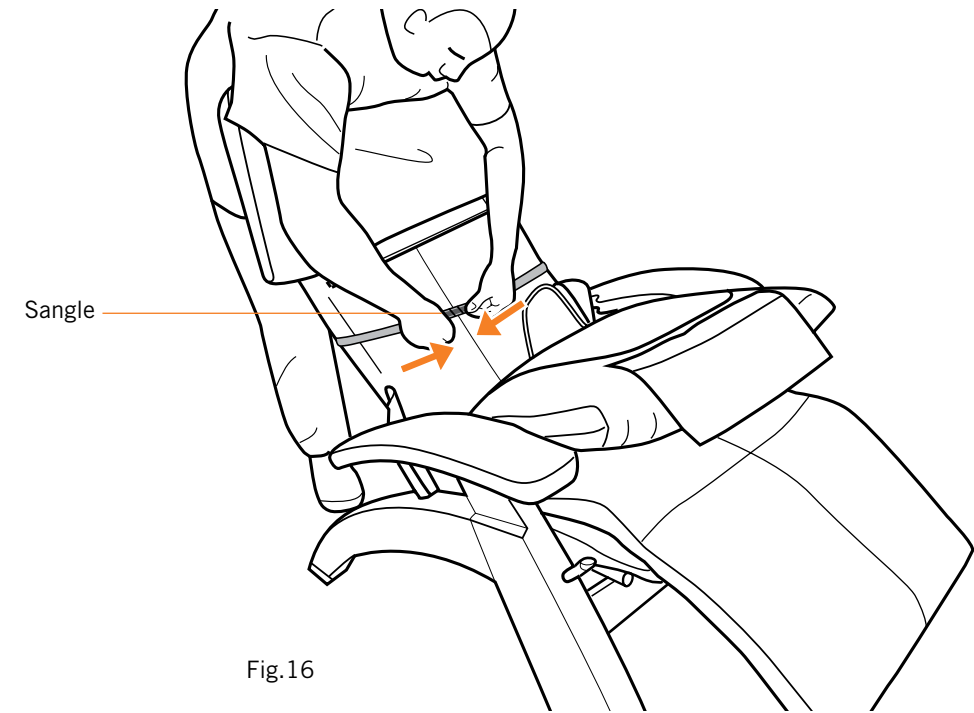
Fig.14

## Installer les coussins

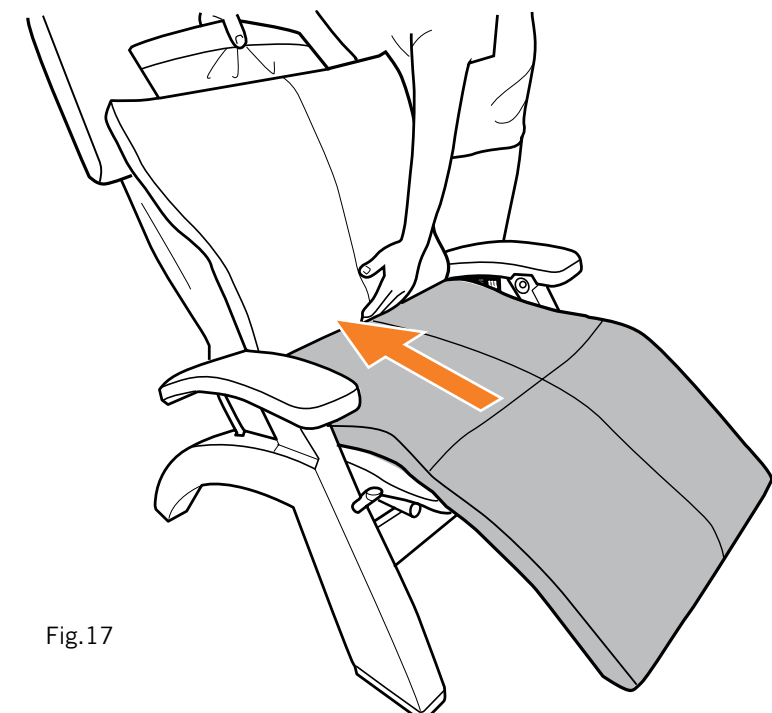
1. Faites glisser le coussin d'appui-tête sur le cadre d'appui-tête (Fig.15).



2. Enroulez les sangles latérales autour de l'avant du tissu de la chaise, tirez-les en les tendant, puis fixez-les en utilisant les fermetures autoagrippantes (Fig.16). Assurez-vous que les sangles sont positionnées vers le milieu du tissu du fauteuil. Faites glisser les sangles vers le bas au besoin.  
**REMARQUE :** Si les sangles sont trop serrées et/ou positionnées trop haut, cela cause des plis dans la housse arrière et pourrait faire en sorte que l'appui-tête se soulève.



3. Soulevez le coussin corporel pour détacher les fixations autoagrippantes, tirez-le fermement vers le siège, puis appuyez fermement sur le siège et la région des jambes pour le fixer (Fig.17).



4. Tirez vers le haut sur le coussin de dossier jusqu'à ce que la bande de fixation autoagrippante à l'arrière du coussin s'aligne avec la bande de fixation autoagrippante sur la toile du fauteuil, puis appuyez fermement les deux bandes l'une contre l'autre (Fig.18).

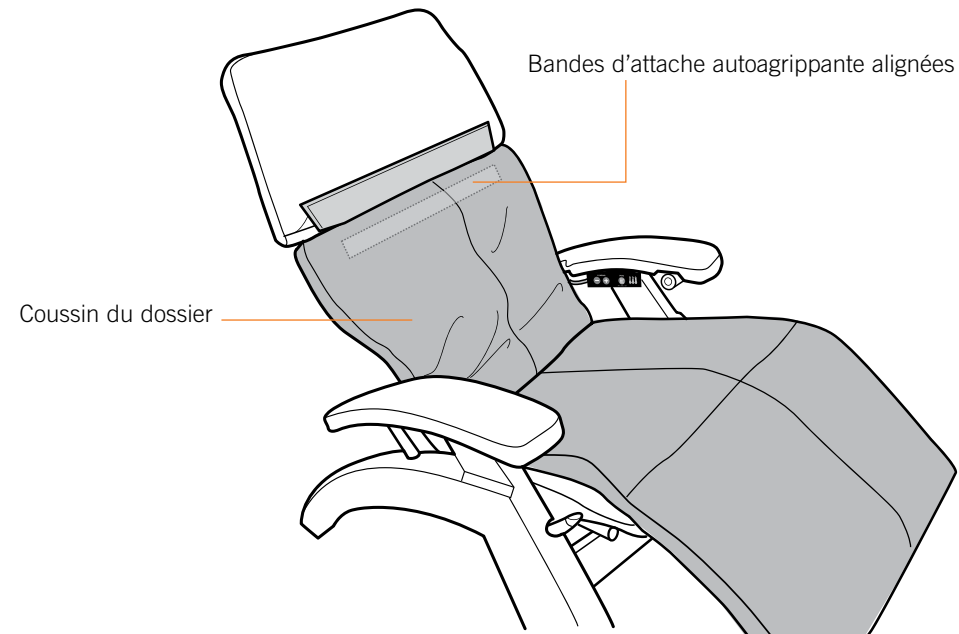


Fig.18

5. Insérez le rabat sur le haut du coussin corporel jusque dans le coussin d'appui-tête et lissez la partie inférieure du coussin d'appui-tête fermement à plat pour ancrer la fixation autoagrippante solidement à l'intérieur (Fig.19).

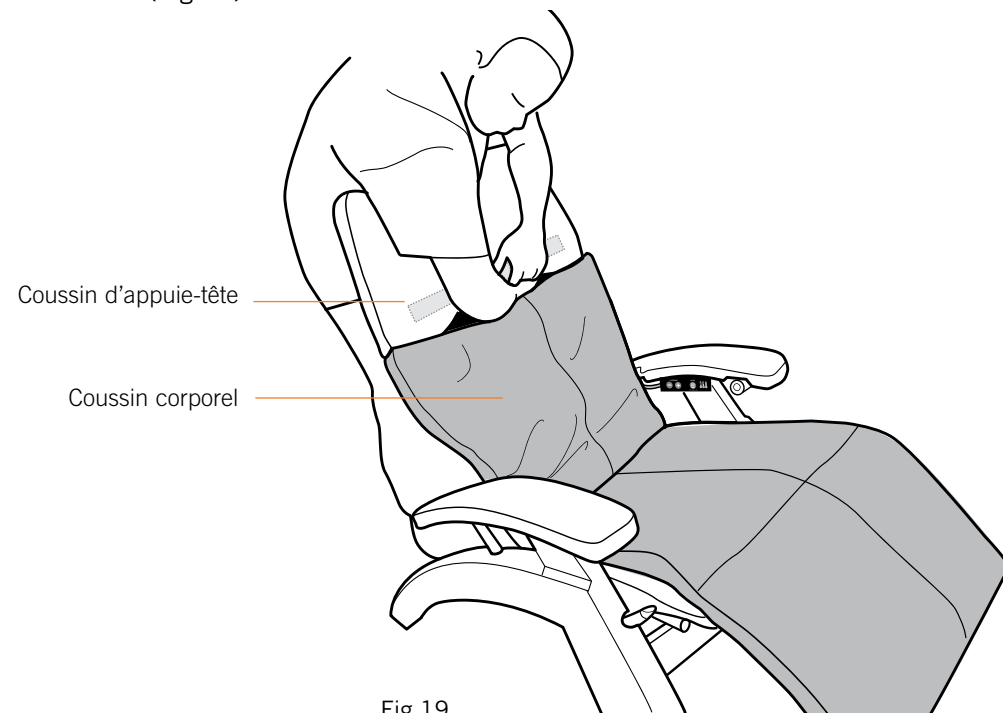
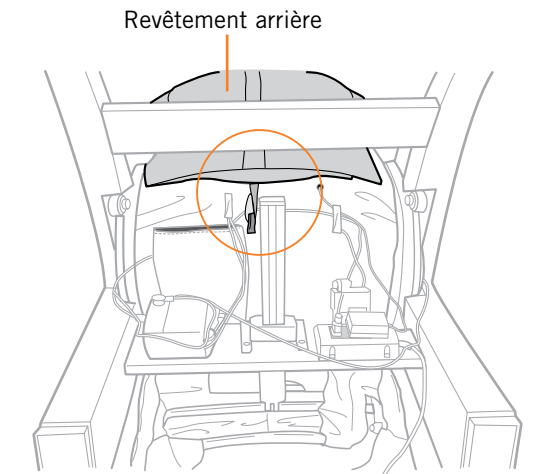
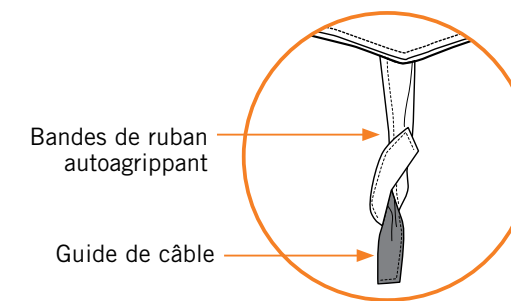


Fig.19

6. Remettez le fauteuil en position verticale.  
 7. Inclinez délicatement le fauteuil vers l'avant jusqu'à ce qu'il repose sur son appui-tête.  
 8. Repérez le guide de câbles du tissu juste à droite de la poche de la toile, puis effectuez l'une des actions suivantes :
- Si le guide de câble est vertical, enroulez la courroie sur la base de la housse de dossier à travers le guide de câble gauche, tournez-la de façon à ce que les fixations autoagrippantes soient alignées, puis fixez-la en utilisant les fixations autoagrippantes (Fig.20).
  - Si le guide de câble est horizontal, insérez l'extrémité de la courroie à travers le guide de câbles, depuis le haut, tirez-la vers le haut, puis fixez-la à la courroie en utilisant les fixations autoagrippantes.

### GUIDE DE CÂBLE VERTICAL



### GUIDE DE CÂBLE HORIZONTAL

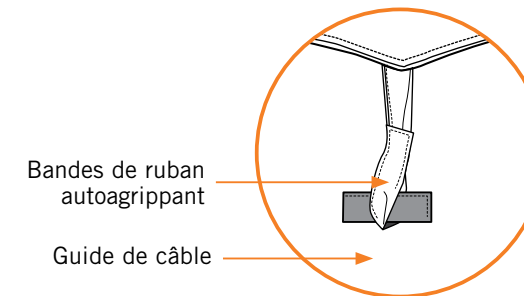
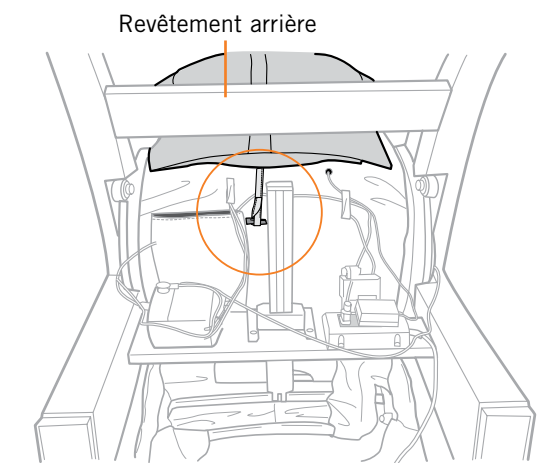


Fig.20



9. Placez l'oreiller nuchal à la hauteur souhaitée; un aimant le maintient en place (Fig.21).

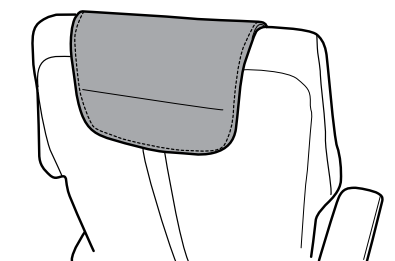


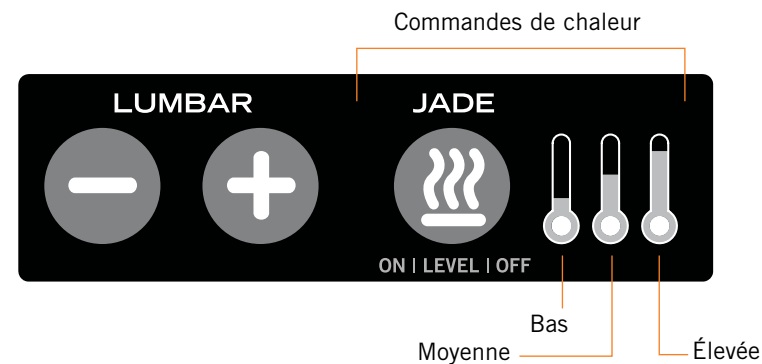
Fig.21



# prenez les commandes

## Utilisation du système Jade Heat

Appuyer sur le bouton de chauffage pour basculer entre les réglages bas, moyen, élevé et arrêt. Les pierres de jade produisent un rayonnement infrarouge lointain qui procure de la chaleur au tissu musculaire. Lorsque la chaleur pénétrant en profondeur atteint la température optimale, le niveau souhaité de chaleur est maintenu.

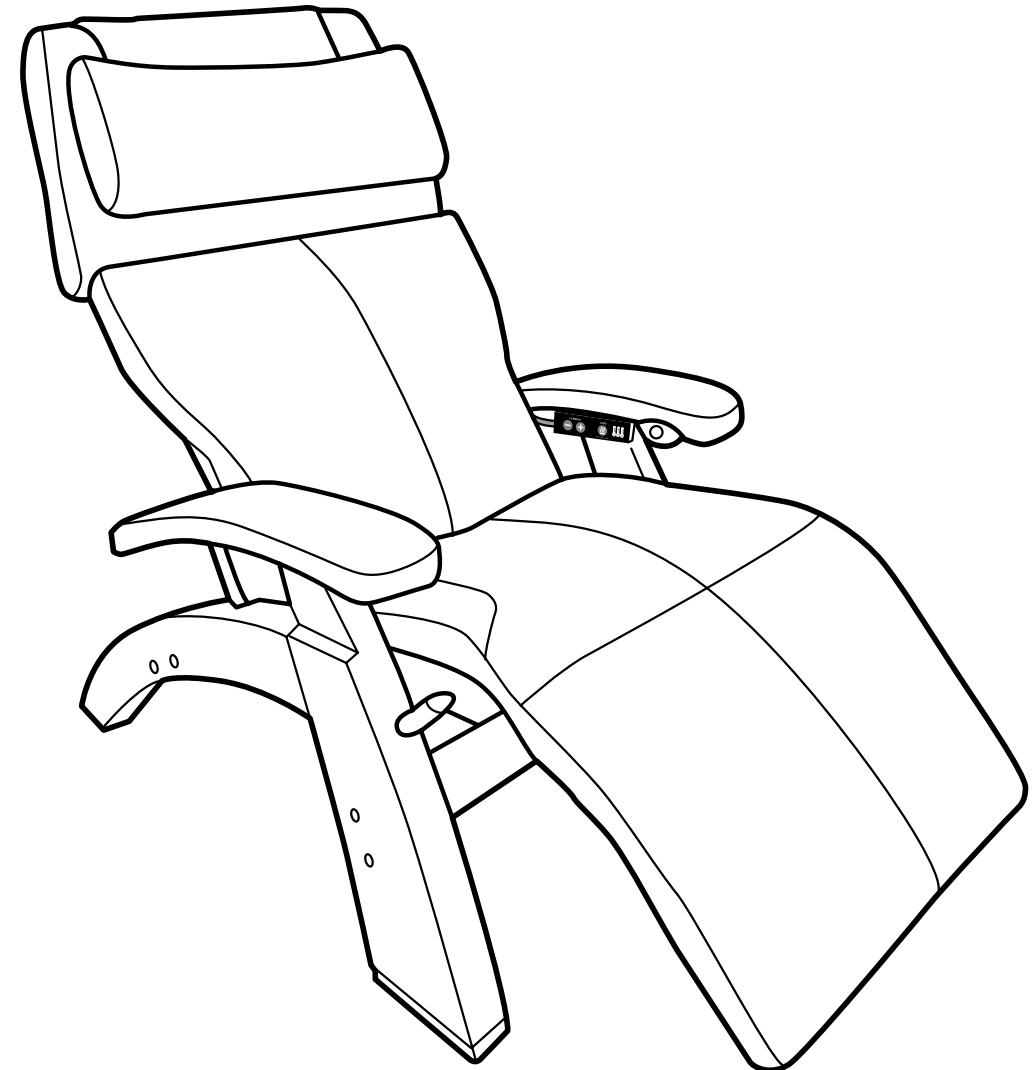
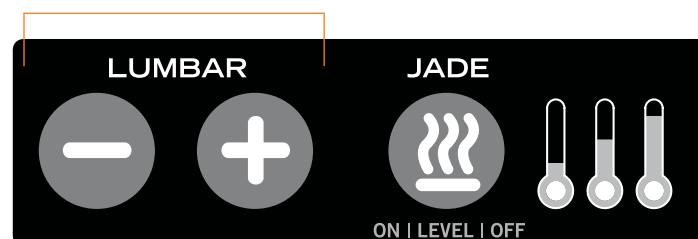


**REMARQUE :** Le système Jade Heat s'éteint automatiquement après deux heures d'inactivité.

## Utilisation du système de soutien lombaire réglable

Appuyez sur le bouton plus et maintenez-le enfoncé pour gonfler la zone lombaire; appuyez sur le bouton moins et maintenez-le enfoncé pour la dégonfler.

Commandes de soutien lombaire réglable



## Poser les batteries dans le système de soutien lombaire (optionnel)

Votre ensemble de garniture Supreme Perfect Chair est équipé d'une option à pile pour le système de soutien lombaire à utiliser dans le cas d'une panne de courant ou si vous décidez de ne pas utiliser le système Jade Heat inclus.

1. Repérez la poche à fermeture à glissière à l'arrière du coussin corporel situé dans la région de l'épaule gauche (Fig.22).
2. Ouvrez la fermeture à glissière et retirez le carré en mousse (Fig.23).

3. Soulevez le bord du compartiment de pile qui est le plus proche du bord du coussin supérieur (ne tirez pas vers le haut sur le bord de la boîte à partir duquel le câblage est visible) (Fig.24).
4. Utilisez vos doigts pour retirer le couvercle de compartiment de pile, puis installez-y quatre piles alcalines AA (Fig.25). (Piles non incluses).
5. Remettez le couvercle du compartiment de pile.
6. Réinsérez le compartiment des piles dans la cavité en mousse.
7. Remettez le carré en mousse pour recouvrir le compartiment de pile.
8. Fermez la poche à fermeture à glissière.

Poche à fermeture à glissière

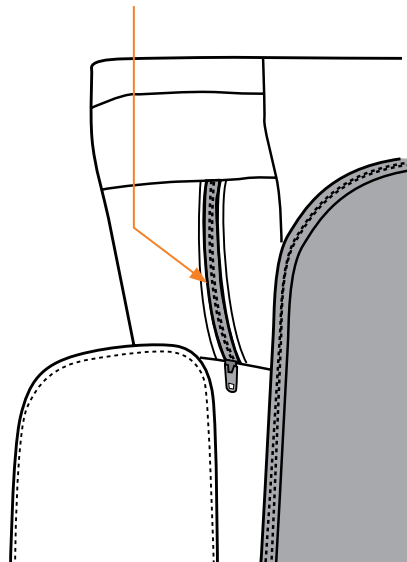


Fig.22

Carré en mousse retiré

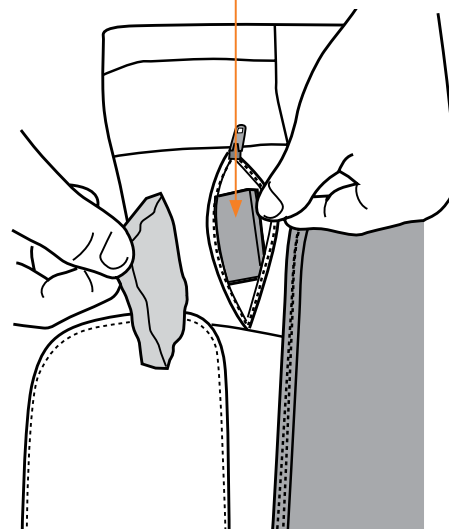


Fig.23

NE soulevez PAS ici

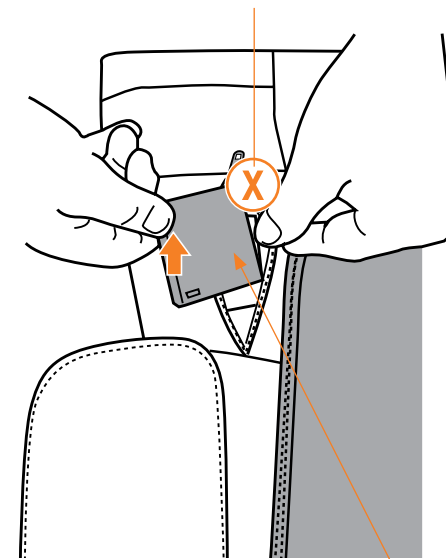


Fig.24

Compartiments des piles

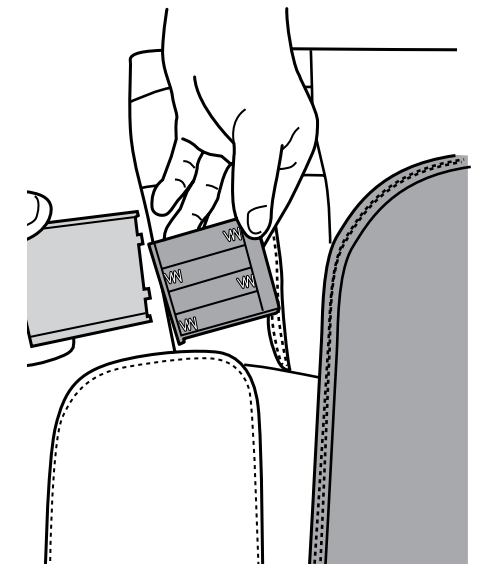


Fig.25

# soin et entretien

Afin de vous assurer que votre produit fonctionne bien et qu'il conserve une belle apparence, veuillez suivre ces consignes faciles d'entretien.

## MISE EN GARDE :

1. Assurez-vous de déconnecter le cordon d'alimentation de la prise électrique avant de procéder au nettoyage. (Également indiqué sur la page sur la sécurité.)
2. Nettoyer le boîtier de commande et l'interrupteur à l'aide d'un linge sec seulement. Ne nettoyez jamais le système de commande ou le bouton d'alimentation à l'aide d'un linge humide.
3. Avant de procéder au nettoyage de toute la surface du produit à l'aide d'une solution nettoyante, veillez à en faire l'essai sur une petite portion camouflée du produit afin de vous assurer qu'elle n'entraîne pas de décoloration.
4. N'utilisez pas de benzène, de diluant ou de solvant pour nettoyer le produit.

### Norme de nettoyage pour faux cuir ou chiffon : W

Pour maintenir votre produit Human Touch en état optimal, époussetez-le fréquemment ou passez-y l'aspirateur à l'aide d'une brosse douce. Seuls les nettoyeurs à l'eau pour meubles conviennent au nettoyage de ce produit. Pour traiter les taches, appliquez localement un shampoing pour meubles ou un détergent mousseux doux.

### Soins de la garniture en cuir

Le cuir naturel est un matériau poreux qui respire, tout comme la peau humaine, et il est susceptible de se tacher en raison de la saleté, de la transpiration, de l'humidité, de l'huile et de la graisse (p. ex., des produits pour cheveux et des lotions pour la peau). Ne laissez pas ces éléments entrer en contact direct avec la garniture. Pour aider à éviter le craquelage et le séchage du cuir, appliquez un nettoyant et un produit de conditionnement de haute qualité pour le cuir au moins tous les trois mois; ceci revitalisera et assurera l'étanchéité des surfaces en cuir. Suivez avec soin les instructions de l'étiquette du produit; Human Touch n'est pas responsable des produits tiers.

### Entretien et réparation :

1. La mécanique de cet appareil a été conçue et construite afin de ne nécessiter aucun entretien. Aucune lubrification ni entretien périodique ne sont nécessaires. (texte spécifique non dicté par une réglementation)
2. Votre fauteuil doit être réparé par un représentant du service autorisé uniquement.

### Environnement d'utilisation et de rangement :

1. Ne placez pas le fauteuil sous le rayonnement direct ou réfléchi du soleil, car les rayons ultraviolets terniront rapidement la couleur de la garniture et entraîneront la détérioration rapide de la garniture SoftHyde.
2. Pour éviter des dommages, utilisez votre fauteuil dans une température ambiante située entre 5 et 40 degrés Celsius (41 et 104 degrés Fahrenheit) avec une humidité relative de 10 à 70 % (sans condensation).
3. Pour éviter d'endommager la garniture, assurez-vous qu'il n'y a ni objet pointu dans vos poches ni boutons ou fermetures à glissière qui pourraient entrer en contact avec le fauteuil.
4. Ne placez pas le fauteuil là où une quantité excessive de poussière et de poils d'animaux pourraient migrer dans les composants électriques et mécaniques du fauteuil; ceci pourrait causer un dysfonctionnement avec le temps.
5. Lorsqu'il n'est pas utilisé pendant une période prolongée, nous recommandons de couvrir le fauteuil, d'enrouler le cordon d'alimentation et de placer l'unité dans un environnement exempt de poussière et d'humidité.
6. Pour éviter les dommages, entreposez votre fauteuil à une température ambiante entre -15 et 50 degrés Celsius (5 et 122 degrés Fahrenheit) avec des niveaux d'humidité de 10 à 70 % (sans condensation); un produit entreposé dans des températures froides pourrait avoir besoin de 48 heures à température ambiante pour fonctionner correctement.
7. N'entreposez pas le produit près d'un chauffage actif ou d'une flamme.

# vous éprouvez des difficultés?

## Vous éprouvez des difficultés avec le système Jade Heat ou avec le système de soutien lombaire réglage?

Avant d'appeler le service à la clientèle, effectuez ces étapes de dépannage simples.

### Mon panneau de commande ne fonctionne pas du tout (aucune DEL ne s'allume) :

1. Assurez-vous que le transformateur est branché solidement dans la multiprise sur la face intérieure du fauteuil.
2. Assurez-vous que la multiprise est solidement branchée dans une prise murale.
3. Assurez-vous que la prise murale fonctionne en y branchant un appareil que vous savez fonctionnel.
4. Détachez le haut du coussin corporel et pliez-le vers l'avant, ouvrez le couvercle de boîte de raccordement noir, puis assurez-vous qu'il n'y a pas de fils endommagés et débranchez/rebranchez le connecteur de câble rouge.

### Mon système Jade Heat fonctionne, mais mon système de soutien lombaire réglable ne fonctionne pas :

1. Détachez le haut du coussin corporel et pliez-le vers l'avant, ouvrez le couvercle de boîte de raccordement noir, assurez-vous qu'aucun câble n'est endommagé, puis débranchez/rebranchez le connecteur de câble noir.

### Mon système Jade Heat n'émet pas de chaleur (mais les DEL s'allument sur le panneau de commande et le système de soutien lombaire réglable fonctionne) :

1. Détachez le haut du coussin corporel et pliez-le vers l'avant, ouvrez le couvercle de boîte de raccordement noir, puis assurez-vous qu'il n'y a pas de fils endommagés et débranchez/rebranchez le connecteur de câble jaune.

### Mon système de soutien lombaire fonctionne, mais le système Jade Head ne fonctionne pas :

1. Détachez le haut du coussin corporel et pliez-le vers l'avant. Ouvrez le couvercle de boîte de raccordement noir, assurez-vous qu'il n'y a aucun fil endommagé, puis débranchez/rebranchez le connecteur de câble jaune.

## Des questions à propos des coussins?

### Avant d'appeler le service à la clientèle, prenez en compte les aspects suivants :

- Les petites éraflures, les légères décolorations et les étirements mineurs font partie d'une usure normale du cuir avec le temps.
- Les coussins Perfect Chair sont des « coussins mous », par conséquent les rides et plis font partie de leur apparence.
- Comme avec toute garniture molle, les habitudes de position assise peuvent causer des plis avec le temps. Il est généralement possible de les lisser si elles sont repérées tôt. Vous pouvez également retirer et réinstaller le coussin pour une amélioration maximum.
- Il est normal pour la mousse de garniture, qu'il s'agisse de mousse standard ou viscoélastique, de prendre une forme ou de se comprimer à un certain degré avec le temps, ce qui altère quelque peu son apparence.
- Si les coussins sont courbés, pendants, font du bruit ou sont inconfortables, retirez et réinstallez l'ensemble de coussins **en suivant scrupuleusement les instructions** contenues dans le présent manuel.

---

Contactez notre équipe de l'expérience client au **800 355-2762**, du lundi au jeudi, de 7 h à 16 h 30 HNP, le vendredi, de 7 h à 15 h 30 ou à l'adresse courriel **csadmin@humantouch.com**

---

## Fiche technique\*

Tension de fonctionnement : 125 VAC 60 Hz. 20 watts

*\*La fiche technique est sujette à modifications sans préavis.*

[humantouch.com](http://humantouch.com)