

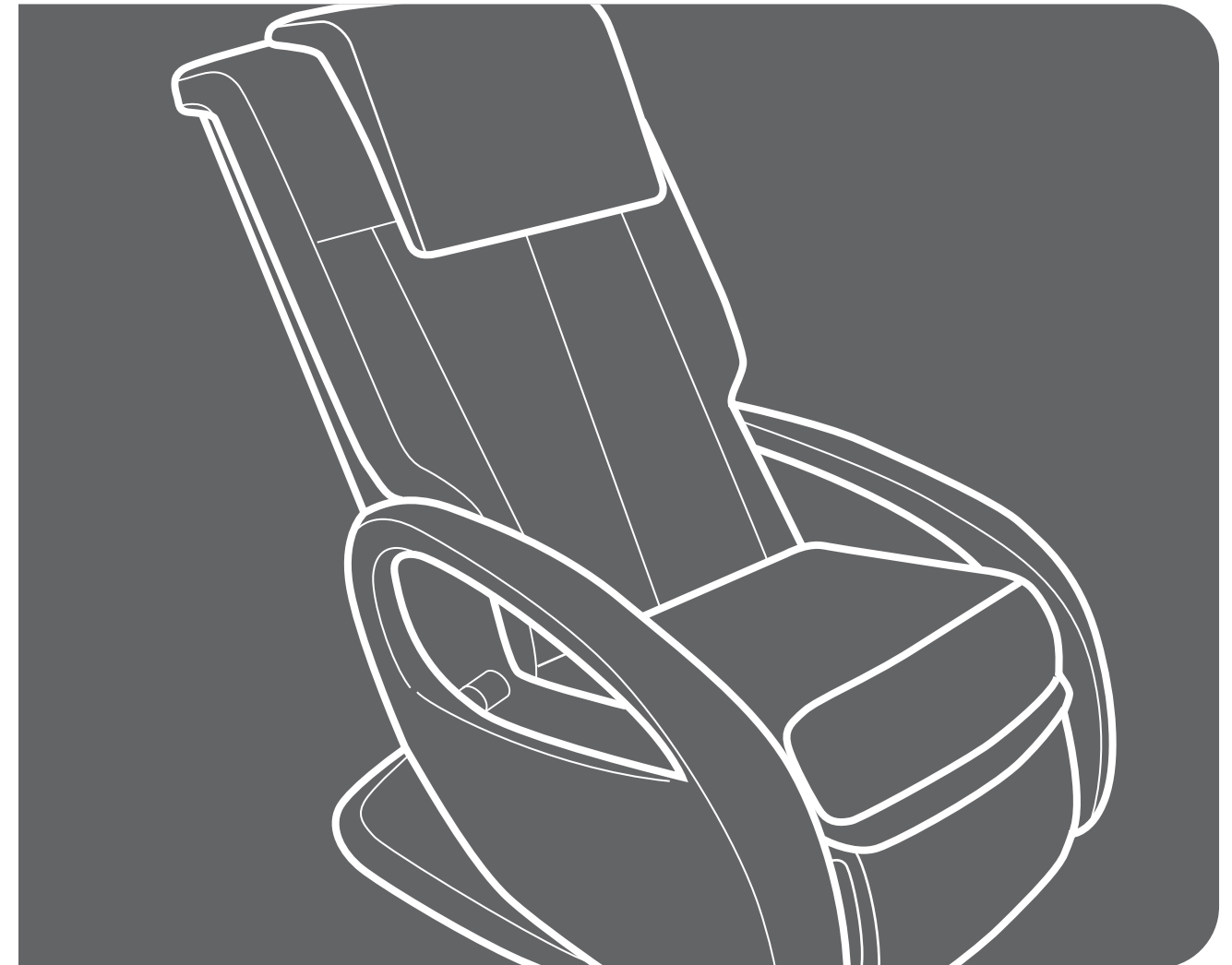


humantouch.com
800.355.2762

©2023 Human Touch®, LLC. Patents pending and intellectual property rights enforced.
No medical claims are warranted or implied by the use of this product.
Human Touch is a trademark of Human Touch®, LLC.
WB7.1-NA-C1

WholeBody® 7.1

RECLINE | MASSAGE | SWIVEL!



use & care manual

ENG

use & care manual

FRC

mode d'emploi et d'entretien

ESN

manual de uso y cuidado

Register your product **ONLINE** today

www.humantouch.com/register

Register your product **ONLINE** today

www.humantouch.com/register



For **more than four decades**, Human Touch has established itself as an industry leader that is changing the lives of its customers with products and services that help them **feel, perform, and live their best**. Developed in cooperation with the medical community and industry experts, we deliver products that blend patented technology, craftsmanship and intelligent ergonomics with superior design to enable therapeutic relief for everyone.

Our industry-leading massage chairs, Perfect Chair® recliners and evolving set of innovative solutions share attributes in their ease-of-use, attention to performance and quality, and design to adapt to most any lifestyle. These attributes are highly valued by our customers and garner broad industry award and recognition. As a result, Human Touch empowers people to enjoy greater health and vitality in their professions, pursuits and everyday lives. And with a population increasingly aware of the benefits of wellness, Human Touch extends its brand leadership and available **solutions for the benefit of everyone**.

humantouch.com

Proudly endorsed by:



Register your product at www.humantouch.com to ensure your product is in our system to simplify the warranty process should you ever need it.

WholeBody® 7.1

RECLINE | MASSAGE | SWIVEL!

welcome to **human touch®**

Enjoy the life-changing benefits of a massage every day, keeping your mind and body healthy.

Since 1979, Human Touch has been producing industry-leading massage chairs using revolutionary and patented Human Touch Technology®. Our chairs are meticulously designed and engineered with the highest-quality materials to provide the ultimate relaxing massage experience replicating techniques and a therapeutic touch used by massage professionals. We create products that enable people to alleviate pain and escape stress so they can feel better®, enjoy more productive lives and do what they do—better. Massage therapy is a key ingredient for a balanced life—and now it's right in your own home!

Experience the same techniques used by massage and chiropractic professionals for back pain and spinal health care. It's hard to believe it's not human! To ensure that you don't overlook any of your chair's features, and that you use it safely, read this manual carefully. Then sit back, relax, and enjoy!

humantouch.com

keep it safe

IMPORTANT SAFETY INSTRUCTIONS

When using an electrical appliance, basic precautions should always be followed, including the following:

Read all instructions before using this appliance.



DANGER: To reduce the risk of electrical shock

Always unplug this product from the electrical outlet immediately after using and before cleaning.



WARNING: To reduce the risk of burns, fire, electric shock or injury to persons:

- Do not put hands or fingers near the massage mechanism or rollers while this product is running. Touching the mechanism can result in injury from the rollers squeezing together.
- If the supply cord is damaged, it must be replaced by the manufacturer or its service agent or a similarly qualified person in order to avoid a hazard.
- An appliance should never be left unattended when plugged in. Unplug from outlet when not in use, and before putting on or taking off parts.
- Do not operate under blanket or pillow. Excessive heating can occur and cause fire, electric shock, or injury to persons.
- Use heated surfaces carefully. May cause serious burns. Do not use over insentive skin areas or in the presence of poor circulation. The unattended use of heat by children or incapacitated persons may be dangerous.
- Close supervision is necessary when this product is used by, on, or near children, invalids, or disabled persons. Keep children away from extended foot support (or other similar parts).
- Use this product only for its intended use as described in this manual. Do not use attachments not recommended by the manufacturer.
- Never operate this product if it has a damaged cord or plug, if it is not working properly, if it has been dropped or damaged, or dropped into water. Return this product to a service center for examination and repair.
- Do not carry this appliance by supply cord or use cord as a handle.
- Always keep the power cord away from heated surfaces.
- Never operate this product with the air openings blocked. Keep the air openings free of lint, hair, and the like.
- Never drop or insert any object into any opening.
- Do not use outdoors.
- Do not operate where aerosol (spray) products are being used or where oxygen is being administered.
- To disconnect, turn all controls to the OFF position, then remove plug from outlet.
- Do not massage any area of the body that is swollen, inflamed or covered with skin eruptions.
- Do not use on unexplained calf pain.
- Do not use this product when standing on a damp floor, or when any part of the body is in contact with plumbing or any similar ground.
- Connect this appliance to a properly grounded outlet only. See GROUNDING INSTRUCTIONS.
- Do not use this product if noise above normal sound is heard.
- Do not stand on or in appliance. Use only while seated.
- This appliance is not intended for use by persons (including children) with reduced physical, sensory or mental capabilities, or lack of experience and knowledge, unless they have been given supervision or instruction concerning use of the appliance by a person responsible for their safety. Children should be supervised to ensure that they do not play with the appliance.

Safety Precautions

- Comfortable clothing is recommended while using this product.
- This product was meant to be used in a relaxed position. Never force any body part into the backrest area while the rollers are moving.
- If you feel any abnormal discomfort during the operation of this product, turn off the power immediately and do not use the product. Consult your physician.
- Do not lean on the controller for support.
- Do not pull on the AC cord.
- When using this product after it has been in storage, check to see that the product is operating properly prior to use.
- Always confirm that there are no obstacles behind the product and that there is sufficient space to recline.

SAVE THESE INSTRUCTIONS

Do not attempt to repair this product yourself.

This product is designed for personal in-home use. Commercial use will void warranty.

Grounding Instructions:

This product must be grounded. If it should malfunction or breakdown, grounding provides a path of least resistance for electrical current to reduce the risk of electric shock. This product is equipped with a cord having an equipment-grounding conductor and a grounding plug. The plug must be plugged into an appropriate outlet that is properly installed and grounded in accordance with all local codes and ordinances.

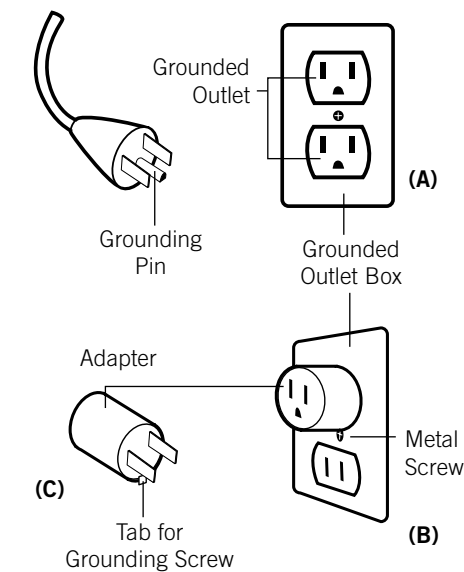


DANGER: Improper connection of the equipment-grounding conductor can result in a risk of electronic shock. Check with a qualified electrician or serviceman if you are in doubt as to whether this product is properly grounded. Do not modify the plug provided with the product – if it will not fit the outlet, have a proper outlet installed by a qualified electrician.

This product is for use on a nominal 120-volt circuit and has a grounding plug that looks like the plug illustrated in sketch (A). A temporary adapter that looks like the adapter used in sketches (B) and (C) may be used to connect this plug to a 2-pole receptacle as shown in sketch (B), if a properly grounded plug is not available. The temporary adapter should be used only until a properly grounded outlet (sketch A) can be installed by a qualified electrician. The green colored, rigid ear tab or the like extending from the adapter must be connected to a permanent ground such as a properly grounded outlet box cover. Whenever the adapter is used, it must be held in place by a metal screw.

For all grounded cord-connected products:

Grounding methods:



The use of a temporary adaptor is not permitted in Canada.

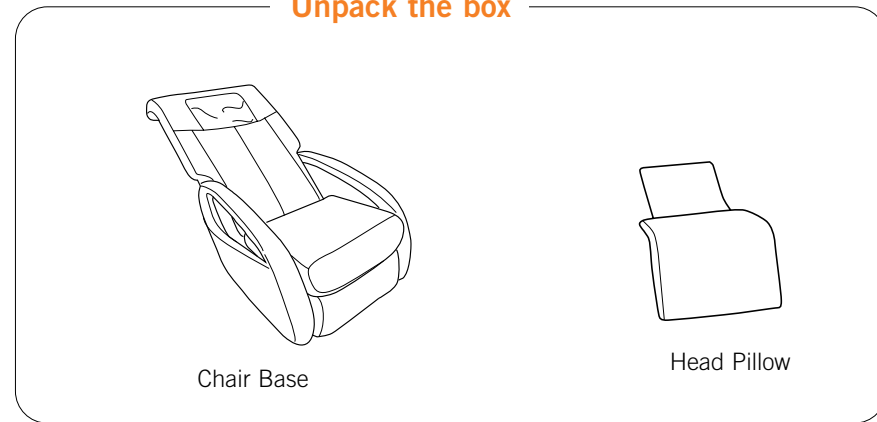


WARNING: This product is equipped with a thermal resetting protection device. This is an added safety feature to protect you and this product from overheating. If the product should suddenly stop and will not start, turn the main power switch, located on the back of the product, off and do not operate the product for at least 30 minutes. Failure to turn the product off may result in the product starting unexpectedly when the device cools.

get ready

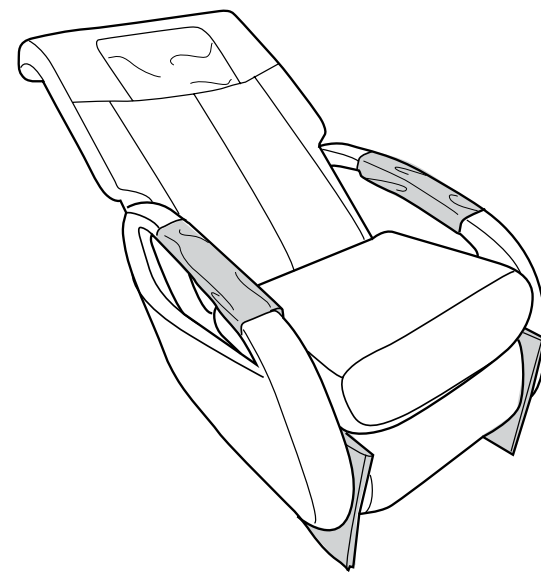
Setting up your Human Touch massage chair is easy. Attach the seat cushion and head pillow, and you're done!

Unpack the box



Prepare the Chair

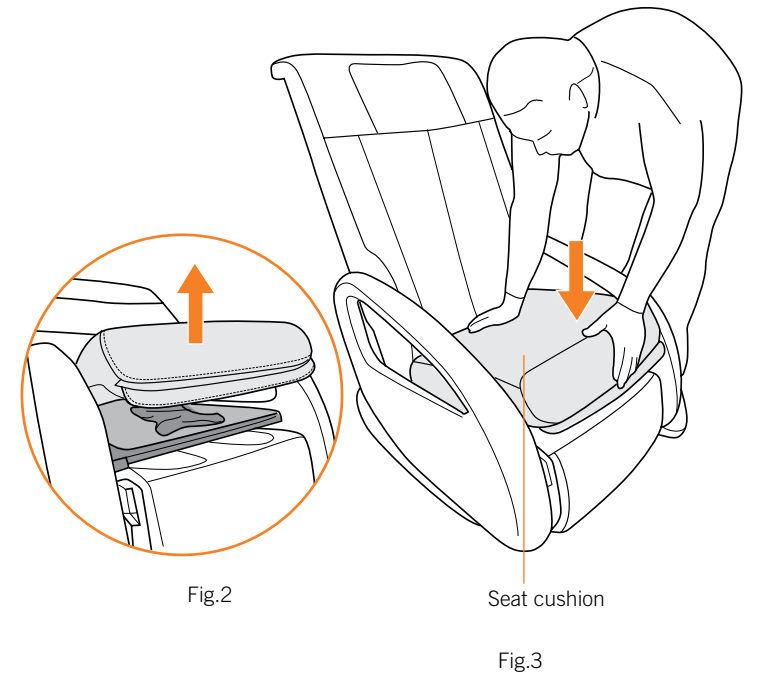
Remove all packaging materials from the Chair (Fig.1).



Attach the Seat Cushion

Lift up the Seat Cushion to remove the packaging between the Cushion and Chair Base (Fig.2) Press Seat Cushion firmly into Place (Fig.3).

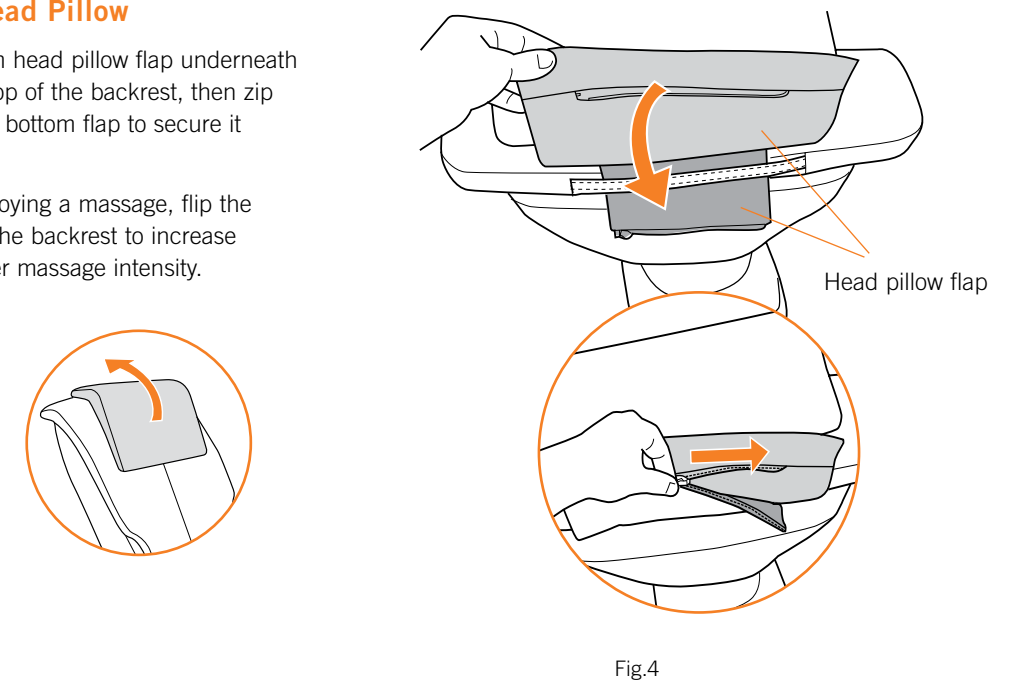
Wrap the front Seat Cushion flap around the chair frame and attach using the hook-and-loop fasteners.



Attach the Head Pillow

Thread the bottom head pillow flap underneath the strap on the top of the backrest, then zip the top flap to the bottom flap to secure it (Fig.4).

NOTE: When enjoying a massage, flip the head pillow over the backrest to increase neck and shoulder massage intensity.



take a seat

Using your Human Touch massage chair is easy. Just take a seat and recline to the desired position. Your Human Touch massage chair helps you feel better, using a wide variety of massage techniques that you control. It's the perfect way to relax and refresh.

Power On



Plug the power cord into a grounded power source. Turn the master power switch (on the back of the chair) to On.

Use the **back** button on the remote to bring the chair upright (Fig.5).

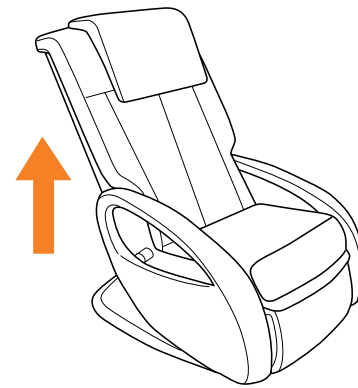
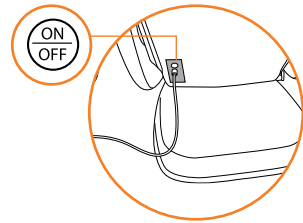


Fig.5

Recline the Backrest and Raise the Leg Rest

Use the back and legs buttons to position the chair for maximum comfort (Fig.6).

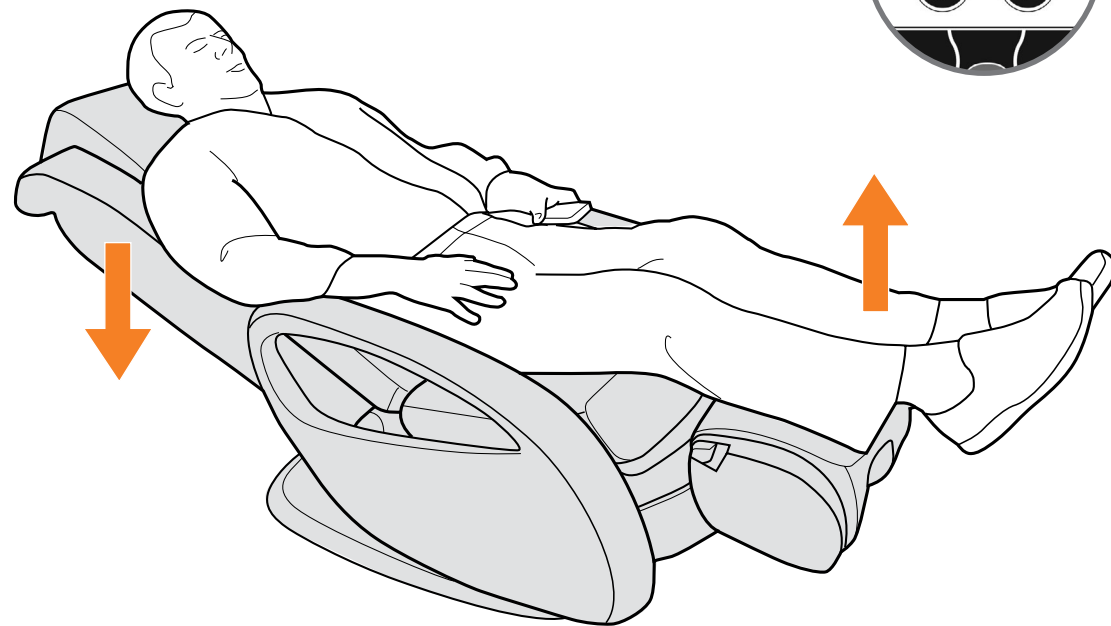
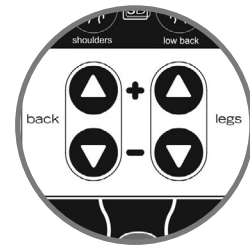


Fig.6

FOR A FOOT OR CALF MASSAGE

Deploy the Foot and Calf Massager

Pull the footrest rotation release handle (located on the right-hand side of the footrest) toward you.

For a calf massage, rotate the footrest away from the chair until it clicks into position with the foot and calf massager facing up (Fig.7).

Do not force the rotation of the footrest past the point at which it clicks to lock. Excess force may damage the mechanism.

For a foot massage, rotate the footrest away from the chair just until the foot and calf massager is facing up. Do not rotate it so far that it clicks into position; the footrest should be moving freely for a foot massage.

NOTE: The foot and calf massager must be locked into position to raise the backrest.

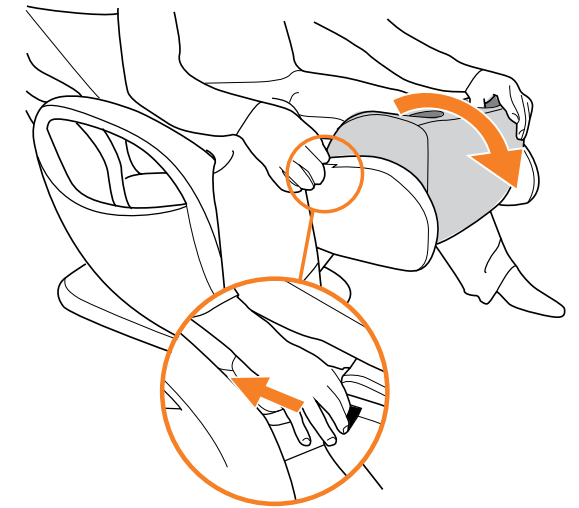
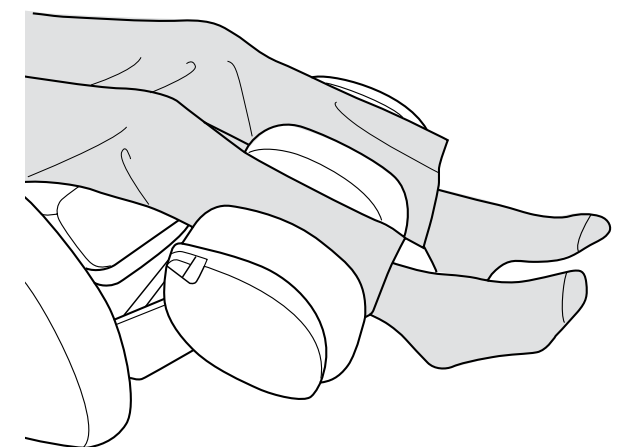
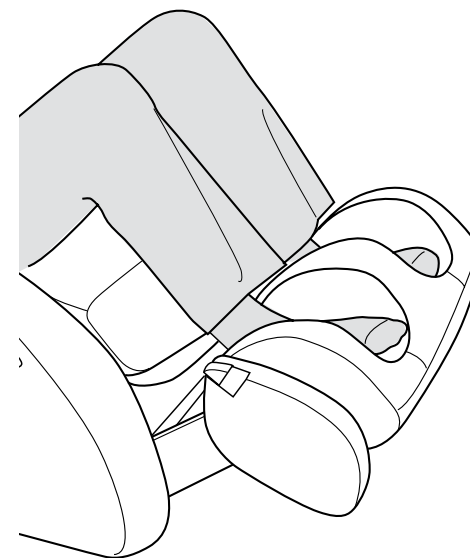


Fig.7

Insert Your Feet or Calves



⚠ Do not inhibit the backrest or footrest from power reclining or inclining. Do not attempt to manually recline or incline the backrest or footrest. Interfering with the power recline will permanently damage the chair.

⚠ Do not stand or sit on the foot and calf massager.

take control

Now choose a massage technique. Your Human Touch massage chair lets you customize your massage to achieve a wide variety of targeted muscle benefits. Choose from three stationary massage techniques and a glide massage, or combine them. Use the Range button to tailor your vertical massage range, or the Position and Partial Glide features to target your massage to a specific area. Or, let the chair take control—just select one of the five auto massage programs, which alternate massage techniques and target key areas of your back. No matter how you use it, Human Touch Technology with FlexGlide® offers maximum massage flexibility and refreshing benefits.

Stop/park — Stops the massage and parks the massage rollers at the top of the backrest.

Width — Adjusts the massage width as desired. This feature works with Flex and Glide massage targeted benefits.

Position — Use this button along with any stationary massage technique, to position the massage on your back. You can press this button before or after selecting the massage technique.

Targeted Benefits — Toggles among three stationary massage techniques, each designed to provide unique muscle benefits. Use with the glide function for a partial- or full-back massage. (See table on the next page).

Intensity 3D — Sets the upper and lower back 3D massage intensity independently to soft (I), medium (II), or intense (III).

Power Recline — Press and hold to recline/incline backrest.

BodyMap PRO® — A diagram of the human back with six numbered zones (1-6) indicating targeted areas for relief.

Back Warm Air — Activates the warm air lumbar heat. **NOTE:** After deactivating the heat, the LED turns off but the fan continues to run to cool down the heater. This is normal.

Foot/Calf — Toggles through two fixed speeds and an auto massage program.

Stop — Stops the massage.

Range — Customizes your vertical massage range.

Full
Partial

Auto Massage Programs — Five unique programs automatically massage you for 15 minutes each, using a variety of massage techniques. The corresponding LED lights to indicate which massage technique is currently in use.

Auto Massage Programs — full, upper, lower, relax, sleep

flexglide® massage

human touch®

Understanding Targeted Benefits

Targeted Benefit	What It Does	Benefits
Stretch	Kneads your back in a small, circular motion on both sides of your spine simultaneously.	Relieves tension and soreness by lifting and stretching muscles. Improves circulation and helps bring vital nutrients to the spinal area.
Flex	Alternates rapid-tapping strokes along the spine to stimulate both spinal muscles and spinal joint areas, emulating the percussive massage technique used in sports medicine for deep muscle therapy.	Flexes spinal joints and relieves pressure on the spinal column, invigorating the entire back area.
Tone	Combines circular kneading motion with rapid-tapping percussion strokes.	Relieves muscle tension and spinal pressure, improves circulation and invigorates the back, all at once.
Glide	Rolls gently up and down your back near your spine.	Warms and loosens your muscles, preparing your back for deeper massage. Relieves muscle tension, improves circulation and relaxes the back.

Experience the innovation and simplicity of BodyMap PRO®

When you're experiencing muscle and joint discomfort, you want relief – now. Human Touch BodyMap PRO delivers. Simply press where you want to feel better and immediately receive an effective, therapeutic massage experience. The Human Touch FlexGlide massage engine is automatically tuned to just the right intensity to relieve your toughest aches and pains. Each zone runs an individual seven-minute session.

- 1 Relieve those tight stresses at your neck (remove head pillow).
- 2 Been sitting at your desk all day? Spread stress relief between your shoulders.
- 3 Auto focus on those knots below your shoulder blades.
- 4 Get generous relief for the muscles in the middle of your back.
- 5 Been standing all day? Get big relief in your lower back all the way out to your sides.
- 6 Focus-in, close to the spine, on those aches and pains in your lower back.

FlexGlide® Patented Human Touch Orbital Massage Technology.

Soothing, sensitive and oh so luxurious, our FlexGlide® massage solution delivers a stress-reducing experience like never before. Free from the pinching and friction associated with typical massage chairs, every contour of your body is therapeutically touched by the unparalleled flexibility and seamless glide of our patented FlexGlide orbital technology. Much like a massage therapist upgrading you from a dry to a warm oil massage, the FlexGlide experience will have you basking in the glow of ultimate relaxation.

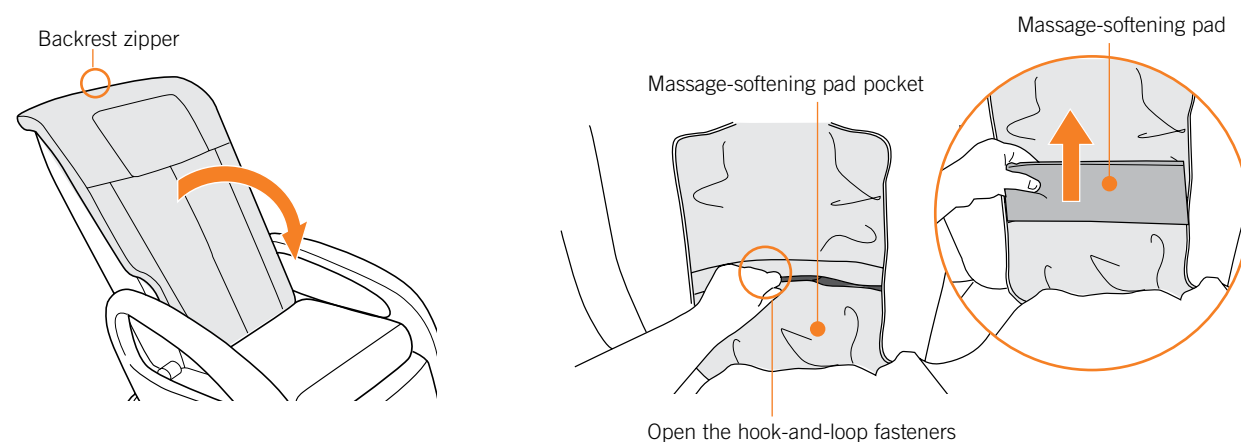
When you're not using the remote, store it in the convenient pocket on the left side of the seat cushion, so it's out of the way.

customize massage intensity

The massage-softening pad softens the massage intensity. For a stronger massage, remove the massage-softening pad.

To experience the full power of Human Touch just remove the massage-softening pad from your chair. But keep it handy, in case you want to replace it in the future.

1. Open the backrest zipper.
2. Open the hook-and-loop fasteners that secure the massage-softening pad pocket.
3. Remove the massage-softening pad from the backrest pad.
4. Zip the backrest pad back onto the chair.



Your Human Touch massage chair may have zippers that are closed with a plastic Security Tie. Cut the Security Tie with a nail clipper or other suitable instrument. Take care to not cut the chair upholstery.

Replacement massage-softening pads are available from Human Touch, for an additional charge.

care and maintenance

To keep your product working and looking its best, please follow these simple care guidelines.

⚠️ WARNING:

1. Be sure to disconnect the power cord from the electrical outlet before cleaning.
2. When cleaning the remote control or power switch, use a dry cloth only. Never use a damp cloth to clean any electrical component.

⚠️ CAUTION:

1. Be sure to test any cleaning solution on a small, inconspicuous part of the product to ensure that the color does not fade prior to using the solution on the entire product surface.
2. Do not use benzene, thinner or any other solvents on your product.

Cleaning Code Standard for SofHyde or Cloth: W

To maintain your Human Touch product in optimum condition, dust it frequently and/or vacuum it with a soft brush vacuum extension. If your product becomes dirty, use a water-based upholstery cleaner only. To treat stains, spot clean with an upholstery shampoo or a mild detergent foam. To clean the foot/calf massage well inserts, remove the inserts from the chair, hand-wash with a mild detergent, then line dry.

Maintenance and Repair:

1. The mechanics of this product are specially designed and constructed to be maintenance free. No periodic lubrication or servicing is required.
2. Your chair should only be serviced by a Human Touch-authorized service representative.

Use and Storage Environment:

1. Do not place the chair in direct or reflected sunlight, as ultraviolet rays will quickly fade the upholstery color and cause the SofHyde upholstery to rapidly deteriorate.
2. Operate your chair in a room temperature between 41 and 104 degrees Fahrenheit (5 to 40 degrees Celsius) with humidity levels of 10% to 70% (non-condensing) to avoid damage.
3. To prevent damage to the upholstery, before sitting in your chair make sure there are no sharp objects in your pockets and no metal buttons or zippers that can come in contact with the chair.
4. Do not place the chair where excessive dust and pet hair can migrate into the chair's electrical and mechanical components; this can cause malfunction over time.
5. When not in use for a long period of time, we recommend that the chair be covered, the power cord be coiled, and that the unit be placed in an environment free of dust and moisture.
6. Store your chair in a room temperature between 5 and 122 degrees Fahrenheit (-15 to 50 degrees Celsius) with humidity levels of 10% to 70% (non-condensing) to avoid damage; product stored in cold temperatures may require 48 hours at room temperature to function properly.
7. Do not store near open heat or flame.

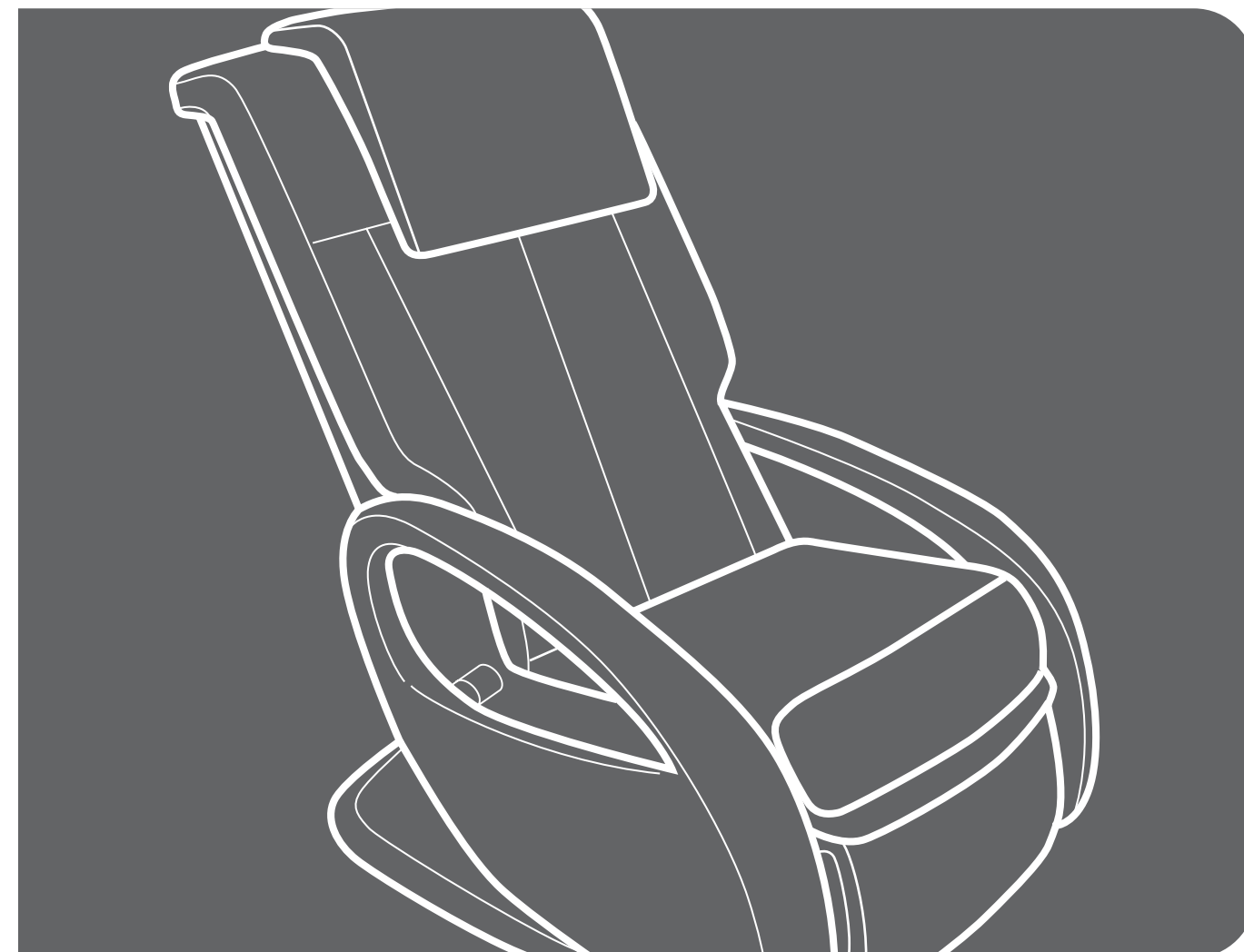
Specifications*

Operating Voltage:	AC110-120V 60 Hz
Power Consumption:	150 Watts
Chair Size:	44" L x 28" W x 40" H (upright) 66" L x 28" W x 29" H (reclined)
Product Weight:	108 Lbs.
Required Recline Clearance:	9"
Maximum Load Weight:	285 Lbs.

*Specifications are subject to change without prior notice.

WholeBody[®] 7.1

S'INCLINE | MASSE | PIVOTE!



humantouch.com
800.355.2762



mode d'emploi et d'entretien

FRANÇAIS

Enregistrez votre produit **EN LIGNE** dès maintenant

www.humantouch.com/register

Enregistrez votre produit **EN LIGNE** dès maintenant

www.humantouch.com/register



Grâce à une expérience de plus de quatre décennies, Human Touch s'est établi comme un chef de file de l'industrie en changeant la vie de ses clients grâce à des produits et services qui les aident à se sentir mieux, à performer davantage et à être à leur meilleur. Élaborés en collaboration avec des experts du domaine médical et de l'industrie, nous offrons des produits qui allient une technologie brevetée, le savoir-faire et une ergonomie intelligente avec une conception supérieure : le soulagement thérapeutique pour tous.

Nos fauteuils de massage, nos fauteuils inclinables PerfectChair^{MD} et notre gamme de solutions innovantes possèdent tous les mêmes attributs en matière de convivialité, de souci de la performance et de la qualité, en plus d'une conception qui s'adapte à la plupart des modes de vie. Ces qualités sont très appréciées de nos clients et nous méritent de nombreuses reconnaissances et de nombreux prix dans l'industrie. Ainsi, Human Touch permet aux gens de vivre en meilleure santé, avec plus de vitalité, que ce soit au niveau professionnel ou personnel, au quotidien. Alors que de plus en plus de gens prennent conscience des bienfaits du mieux-être, Human Touch élargit son leadership de marque et offre des solutions dont tous peuvent profiter.

humantouch.com



Enregistrez votre produit à www.humantouch.com pour que votre produit figure dans notre système, ce qui simplifiera le processus de la garantie, si jamais vous en aviez besoin.

WholeBody[®] 7.1

S'INCLINE | MASSE | PIVOTE!

Bienvenue à [human touch](http://humantouch.com)[®]

Les bénéfices d'un massage quotidien changeront votre vie, car vous préserverez la santé de votre esprit et de votre corps.

Depuis 1979, Human Touch fabrique des fauteuils de massage à la fine pointe de l'industrie utilisant sa technologie révolutionnaire brevetée, Human Touch[®]. Nos fauteuils sont conçus de façon méticuleuse avec les matériaux de la plus haute qualité afin d'offrir l'ultime expérience de massage relaxant, laquelle reproduit les techniques et les gestes thérapeutiques utilisés par les massothérapeutes. Nous créons des produits qui permettent aux gens de soulager la douleur et de s'évader du stress de manière à ce qu'ils puissent se sentir mieux[®], qu'ils profitent d'une vie plus productive et qu'ils vaquent à leurs occupations, mais de façon plus optimale. La massothérapie est un ingrédient clé pour une vie équilibrée et elle est désormais à portée de main, directement chez vous!

Expérimentez les mêmes techniques que celles utilisées par les massothérapeutes et les chiropraticiens pour les maux de dos et les soins de la colonne vertébrale. Vous aurez peine à croire qu'il s'agit d'un simple appareil! Afin de bénéficier du plein potentiel de toutes les caractéristiques de votre fauteuil, et afin de vous assurer que vous en faites un usage sécuritaire, lisez ce guide attentivement. Cela fait, asseyez-vous, détendez-vous, et profitez du voyage!

humantouch.com

consignes de sécurité

CONSIGNES DE SÉCURITÉ IMPORTANTES

Lorsque vous utilisez un appareil électrique, vous devez toujours suivre les précautions de base suivantes :

Lisez toutes les instructions avant d'utiliser cet appareil.

- ⚠ DANGER: Afin de réduire les risques d'électrocution :**
Débranchez toujours cet appareil de l'alimentation électrique dès que vous avez fini de l'employer et avant de le nettoyer.
- ⚠ MISE EN GARDE : Afin de réduire les risques de brûlure, d'incendie, d'électrocution ou de blessure :**
 - Tenez vos mains et vos doigts éloignés du mécanisme de massage et des rouleaux lorsqu'ils sont en marche. Si vous touchez au mécanisme, les rouleaux risquent de se comprimer et de vous blesser.
 - Si le cordon d'alimentation est endommagé, il doit être remplacé par le fabricant, son représentant de service ou un technicien qualifié afin d'éviter tout danger.
 - Un appareil ne devrait jamais être laissé sans surveillance lorsqu'il est branché. Débranchez l'appareil de l'alimentation lorsque vous ne l'employez pas et avant d'y insérer ou d'en retirer des pièces.
 - Ne faites pas fonctionner cet appareil une couverture ou sous un oreiller. Une surchauffe pourrait survenir et causer un incendie, une électrocution ou des blessures.
 - Une surveillance étroite est nécessaire lorsque ce fauteuil est employé près ou par des enfants ou des personnes handicapées. Gardez les enfants à l'abri du repose-pied déployé (ou autres pièces semblables).
 - Employez ce fauteuil à ce pour quoi il a été conçu, tel que décrit dans ce guide. Employez uniquement les accessoires recommandés par le fabricant.
 - N'employez jamais ce produit si son cordon ou sa fiche d'alimentation sont endommagés, s'il ne fonctionne pas correctement, s'il a été échappé ou endommagé ou s'il a été immergé. Retournez ce fauteuil à un centre de service pour examen et réparation.
 - Ne transportez pas cet appareil en tirant sur son cordon d'alimentation. N'utilisez pas le cordon d'alimentation comme une poignée.
 - Éloignez toujours le cordon d'alimentation de toute source de chaleur.
 - Ne faites jamais fonctionner ce fauteuil si ses trappes d'aération sont obstruées. Maintenez les trappes d'aération exemptes de peluche, de cheveux et de substances semblables.
 - N'échappez ni n'insérez jamais aucun objet dans aucune ouverture.
 - N'employez pas ce fauteuil à l'extérieur.
 - Ne faites pas fonctionner dans un endroit où on utilise des produits à bombe aérosol (vaporisateur) ou dans un endroit où de l'oxygène est administré.
 - Pour débrancher, mettez toutes les commandes à la position O (arrêt) et retirez la fiche de la prise.
 - Ne massez aucune partie du corps qui soit enflée, enflammée ou présentant des éruptions.
 - Ne massez pas vos jambes si vous souffrez de douleurs idiopathiques.
 - N'employez pas cet appareil sur une surface humide ou lorsqu'une partie de votre corps est en contact avec une structure de plomberie ou autre structure similaire.
 - Ne branchez cet appareil qu'à une prise correctement mise à la terre. Consultez les INSTRUCTIONS DE MISE À LA TERRE.
 - N'employez pas ce fauteuil s'il émet un bruit plus élevé que le son normal.
 - Ne vous mettez pas debout sur ou dans l'appareil. N'utilisez cet appareil qu'en position assise.
 - Utilisez les surfaces chauffantes avec précaution. Risque de brûlures graves. N'utilisez pas cet appareil sur une zone épidermique sensible ou si vous souffrez de mauvaise circulation sanguine. Ce produit peut être dangereux s'il est utilisé par des enfants ou des personnes handicapées sans surveillance.

Consignes de sécurité

- Nous recommandons le port de vêtements confortables pour l'emploi de ce produit.
- Une position détendue est nécessaire afin de bénéficier des avantages de ce fauteuil. Ne mettez jamais de pression sur aucune partie de votre corps reposant sur le dossier lorsque que les rouleaux sont en mouvement.
- Si vous éprouvez un inconfort anormal lorsque vous employez ce produit, éteignez-le immédiatement et cessez son emploi. Consultez votre médecin.
- Ne vous assoyez pas sur le système de commande.
- Ne tirez pas sur le cordon d'alimentation.
- Si vous employez ce produit après une période de rangement prolongée, vérifiez son bon fonctionnement au préalable.
- Assurez-vous toujours qu'aucun obstacle ne se trouve derrière le fauteuil. Assurez-vous de disposer d'un espace suffisant pour incliner le fauteuil.

CONSERVEZ CE MODE D'EMPLOI

Ne réparez pas ce fauteuil vous-même.

Ce fauteuil est conçu pour un usage personnel au foyer. Tout usage à des fins commerciales annulera la garantie.

Consignes de mise à la terre :

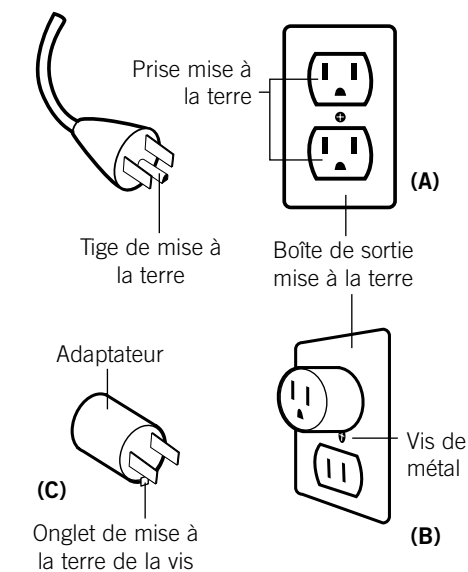
Ce fauteuil doit être branché sur un circuit avec mise à la terre. En cas de mauvais fonctionnement ou de bris, la mise à la terre réduit le risque d'électrocution en permettant au courant électrique d'emprunter le chemin offrant le moins de résistance. Ce fauteuil est pourvu d'un cordon d'alimentation doté d'un conducteur et d'une fiche de mise à la terre. La fiche doit être branchée dans une prise correctement installée et mise à la terre conformément aux ordonnances et aux codes locaux.

⚠ DANGER : Un branchement inadéquat du conducteur de mise à la terre entraîne un risque d'électrocution. Consultez un électricien ou un technicien qualifié si vous n'êtes pas certain que ce fauteuil soit correctement mis à la terre. Ne modifiez pas la fiche accompagnant le fauteuil – si elle ne s'insère pas dans la prise, faites installer une prise appropriée par un électricien qualifié.

Ce fauteuil convient à un circuit de courant nominal de 120 volts. Il est doté d'une fiche de mise à la terre semblable à celle illustrée sur la figure A. Au cas où une prise correctement mise à la terre ne serait pas disponible, un adaptateur temporaire, semblable à celui illustré sur les figures B et C, peut être employé pour brancher cette fiche à une prise de courant à deux trous, tel qu'illustré sur la figure B. L'adaptateur temporaire ne doit être employé que le temps qu'il faudra à faire installer une prise correctement mise à la terre (figure A) par un électricien qualifié. L'onglet rigide de couleur verte sortant de l'adaptateur doit être branché à une prise permanente, telle un couvercle de boîte de sortie correctement mise à la terre. L'adaptateur doit être retenu par une vis de métal.

Pour tous les produits dotés d'un cordon d'alimentation mis à la terre :

Méthodes de mise à la terre :



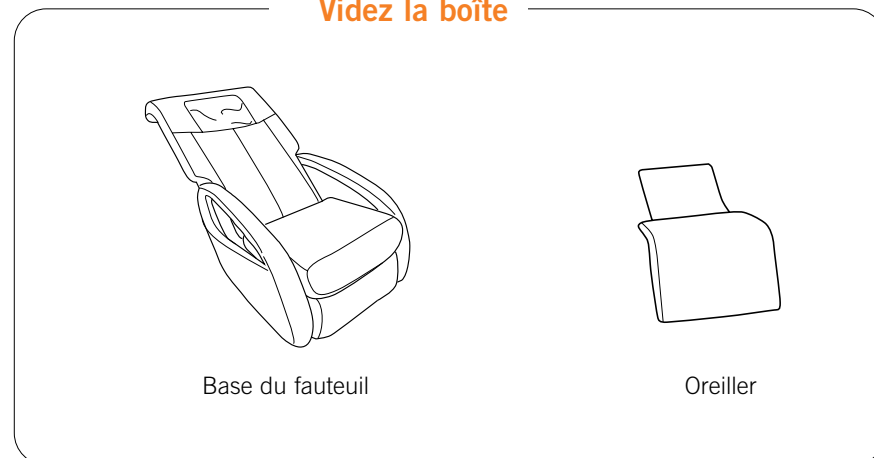
L'utilisation d'un adaptateur temporaire est interdite au Canada.

⚠ MISE EN GARDE : Ce fauteuil est doté d'un dispositif de réinitialisation thermique de protection. Il s'agit d'une caractéristique de sécurité supplémentaire installée afin de vous protéger contre la surchauffe du fauteuil. Si le fauteuil s'arrête soudainement et que vous ne pouvez le remettre en marche, mettez le bouton d'alimentation générale, situé à l'arrière du fauteuil, à la position d'arrêt. Attendez au moins 30 minutes avant de le remettre en marche. Si vous n'éteignez pas le fauteuil, il pourrait se remettre en marche inopinément une fois le dispositif refroidi.

préparez-vous

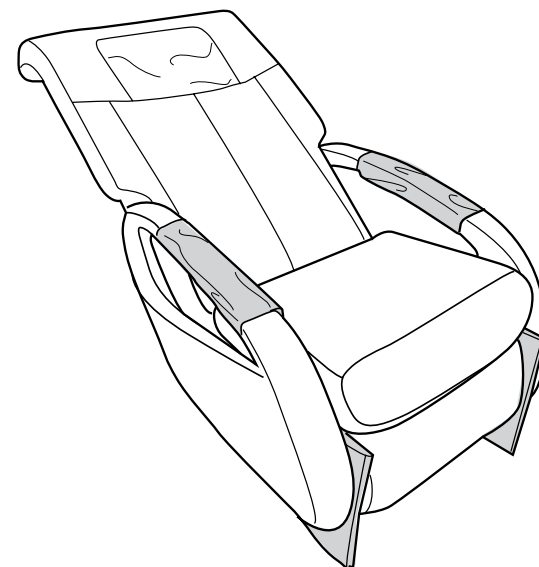
Le réglage de votre fauteuil Human Touch est facile. Fixez le coussin du siège, et l'oreiller, et vous voilà prêt!

Videz la boîte



Préparez le fauteuil

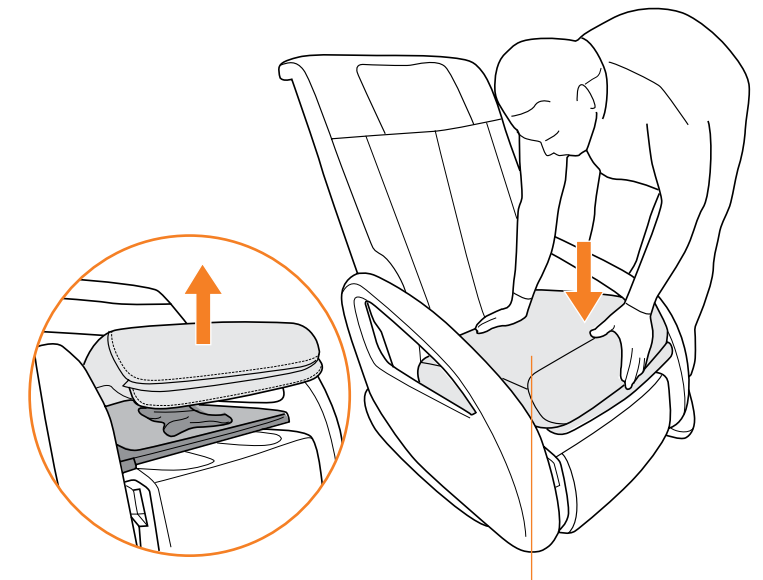
Retirez tous les matériaux d'emballage du fauteuil (Fig. 1).



Fixer le coussin de siège

Soulevez le coussin de siège pour retirer l'emballage entre le coussin et la base du fauteuil (Fig. 2). Pressez le coussin de siège fermement en place (Fig. 3).

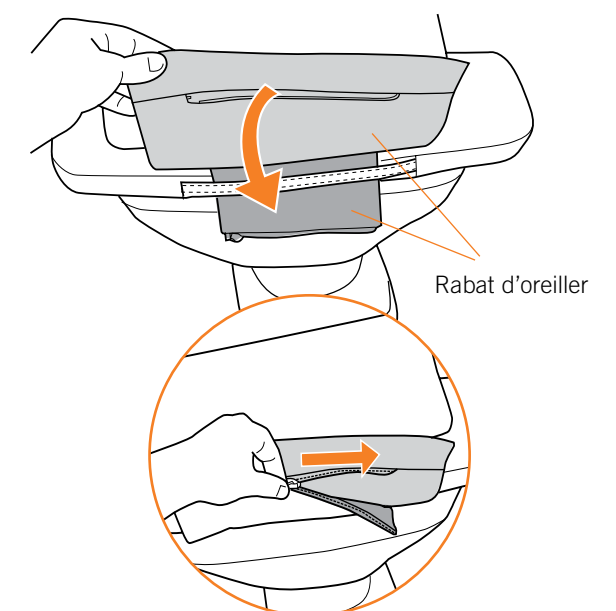
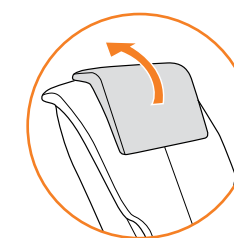
Enroulez le rabat du coussin de siège avant autour du cadre du fauteuil et fixez-le à l'aide des attaches auto-agrippantes.



Fixez l'oreiller

Enfilez le rabat d'oreiller de base en dessous de la courroie en haut du dossier, puis fermez la fermeture éclair vers le rabat inférieur pour le fixer en place (Fig.4).

REMARQUE : Lorsque vous profitez d'un massage, retournez l'oreiller sur le dossier pour augmenter l'intensité du massage au niveau du cou et des épaules.



prenez place

Mettre en marche

Branchez le cordon d'alimentation à une source d'alimentation. Mettez l'interrupteur d'alimentation principal (situé à l'arrière du fauteuil) à la position On (marche).

Utilisez le bouton **back** (arrière) de la télécommande pour remettre le fauteuil en position verticale (Fig. 5).

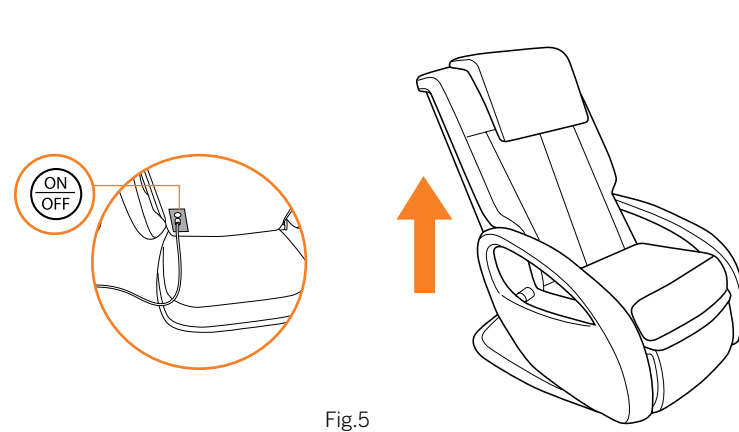


Fig.5

Inclinez le dossier et soulevez l'appui-jambe

Utilisez les boutons « back » (dos) et « legs » (jambes) pour positionner le fauteuil pour un confort optimal (Fig. 6).

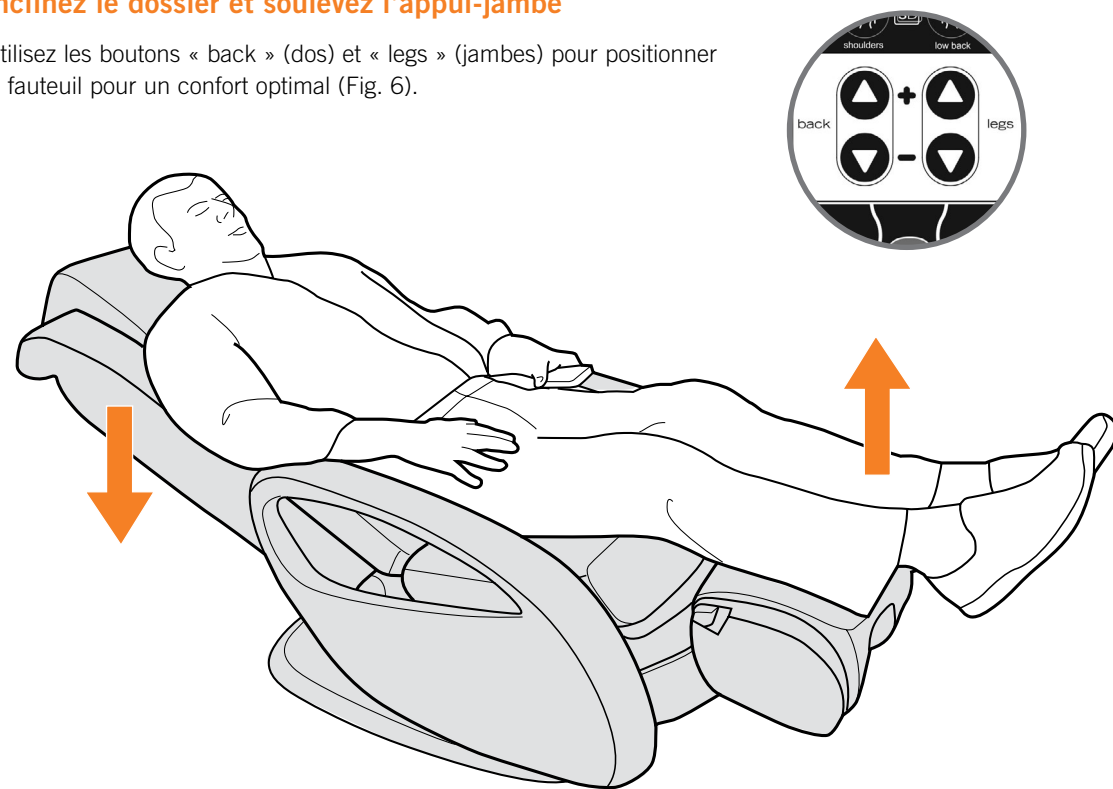


Fig.6

POUR UN MASSAGE DES PIEDS OU DES JAMBES

Déployer le masseur jambes+pieds

Tirez la poignée de déverrouillage de la rotation du repose-pied (située du côté droit du repose-pied) dans votre direction.

Pour un massage des jambes, faites pivoter le repose-pied en l'éloignant du fauteuil, jusqu'à ce que vous l'entendiez cliquer, le masseur jambes+pieds vers le haut (Fig. 7). **Ne forcez pas le pivotement du repose-pied au-delà du clic. Une force excessive pourrait endommager le mécanisme.**

Pour un massage des pieds, faites pivoter le repose-pied en l'éloignant du fauteuil, jusqu'à ce que le masseur jambes+pieds soit vers le haut. N'éloignez pas le repose-pied jusqu'à ce qu'il clique : le repose-pied doit se déplacer librement pour un massage des pieds.

REMARQUE : Le masseur jambes+pieds doit être immobilisé avant de pouvoir élever le dossier.

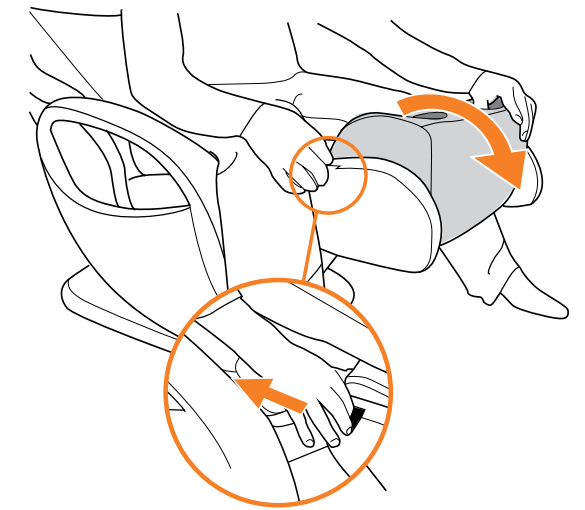
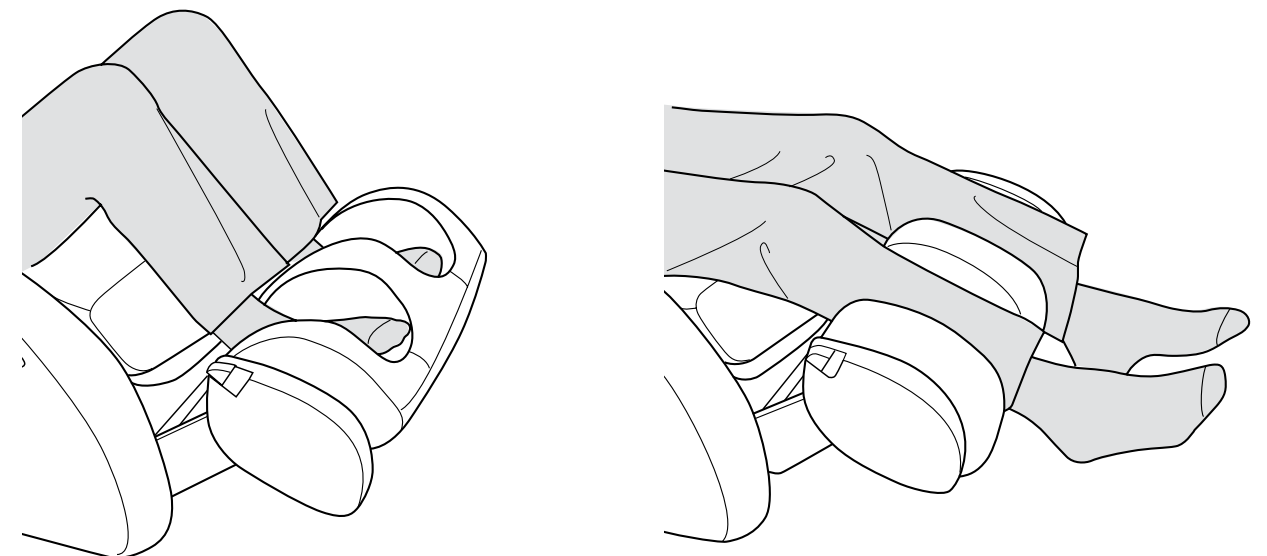


Fig.7

Insérer vos pieds ou vos jambes



⚠ Ne vous mettez pas debout et ne vous asseyez pas sur le masseur jambes+pieds.

Votre fauteuil Human Touch est facile d'emploi. Prenez place et ajustez l'inclinaison à l'angle désiré. Votre fauteuil de massage Human Touch vous fera vous sentir mieux, grâce à un vaste éventail de techniques de massage sous votre commande. C'est la façon idéale de relaxer et de se détendre.

prenez les commandes

Arrêt — Arrête le massage et positionne les rouleaux de massage au haut du dossier.

Arrêt — Arrête le massage.

Largeur — Ajustez la largeur du massage selon votre préférence. Il est possible de combiner cette fonction avec les bénéfices ciblés des massages Flex et Glide.

Portée — Personnalise la portée verticale de votre massage.

Position — Utilisez ce bouton avec toute autre technique de massage fixe pour positionner le massage dans votre dos. Vous pouvez appuyer sur cette touche avant ou après la sélection de la technique de massage.

Full (Intégral)

Partial (Partiel)

Avantages du ciblage — Permet de basculer entre chacune des trois techniques de massage fixes, lesquelles sont conçues pour offrir des bénéfices musculaires uniques. Utilisez-le en combinaison avec la fonction Glide (glissement) pour obtenir un massage partiel ou intégral du dos. (voir le tableau à la page suivante).

Programmes de massage automatique — Cinq programmes uniques vous massent alternativement pendant 15 minutes, chacun utilisant plusieurs techniques de massage. Les témoins DEL correspondants indiquent la technique de massage en cours d'utilisation.

Intensité 3D — Permet de définir l'intensité des massages 3D du bas et du haut du dos de manière indépendante sur douce (I), moyenne (II) ou intense (III).

Inclinaison mécanique — Appuyez ici et maintenez la pression pour élever ou abaisser le dossier.

Déployez le repose-pied électrique — Ces boutons permettent de contrôler l'angle du repose-pied pour le confort d'inclinaison et le massage.

BodyMap PRO® (carte corporelle PRO)

Jambes+pieds — Permet de basculer entre deux vitesses fixes et un programme de massage automatique.

Air chaud au niveau dorsale — Permet d'activer la chaleur lombaire (air chaud).

REMARQUE : Après avoir désactivé la chaleur, la DEL s'éteint, mais le ventilateur continue à tourner pour refroidir le dispositif de chauffage. Il ne s'agit pas d'une anomalie.

flexglide® massage

human touch®

stop/park stop

width range

position glide

massage

stretch flex tone

auto massage

full upper lower relax sleep

intensity

shoulders low back

back legs

back warm air

foot / calf massage

3D

À présent, choisissez une technique de massage. Votre fauteuil Human Touch vous permet de personnaliser votre massage afin d'obtenir des bénéfices pour une vaste gamme de muscles en particulier. Faites votre choix parmi les trois techniques de massage fixes et un massage par glissement, ou combinez ces options. Utilisez le bouton Range (portée) pour personnaliser la portée verticale de massage, ou les fonctions Position et Partial Glide (glissement partiel) pour cibler votre massage sur une zone particulière. Par ailleurs, vous pouvez laisser le fauteuil prendre le contrôle - vous n'avez qu'à choisir un des cinq programmes de massage automatique, lesquels font alterner les techniques de massage et ciblent des zones clés de votre dos. Peu importe comment vous l'utilisez, la technologie Human Touch avec FlexGlide® offre une polyvalence de massage optimale et des bénéfices revigorants.

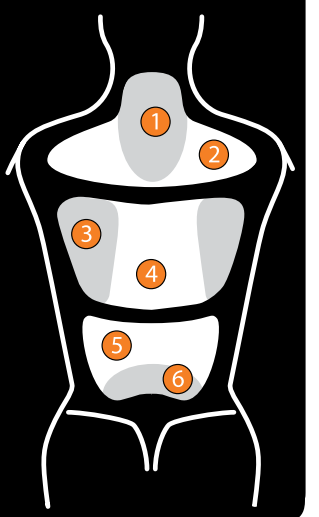
Comprendre les avantages du ciblage

Avantages du ciblage	Ce qu'il fait	Avantages
Stretch étirement	Votre dos est pétré par de petits mouvements circulaires appliqués de chaque côté de votre colonne vertébrale.	Cette technique libère des tensions et des douleurs en soulevant et en étirant les muscles. Améliore la circulation sanguine en apportant les nutriments essentiels dans la zone de votre colonne vertébrale.
Flex	Des tapotements rapides alternés le long de la colonne vertébrale stimulent les muscles et les articulations de la région lombaire. Ce massage reproduit la technique de massage à percussion employée en médecine sportive dans le cadre de thérapie musculaire en profondeur.	Assouplit les articulations de la région lombaire et libère les pressions de la colonne vertébrale, revigorant tout le dos.
Tone tonus	Combine un mouvement de pétrissage circulaire à de rapides tapotements en mode percussion.	En même temps, soulage vos muscles de leur tension et élimine la pression des articulations, améliore la circulation sanguine et revigore votre dos.
Glide (glissement)	Un roulement doux masse le long de votre dos, près de votre colonne vertébrale.	Réchauffe et relâche vos muscles, préparant votre dos pour un massage plus en profondeur. Ce massage relâche les tensions musculaires, améliore la circulation sanguine et détend le dos.

Découvrez l'innovation et la simplicité de la carte corporelle PRO

Lorsque vous souffrez d'inconfort dans les muscles et les articulations, vous voulez être soulagé... tout de suite. La carte corporelle PRO de Human Touch le fait. Appuyez simplement la partie de votre corps que vous désirez soulager et bénéficiez instantanément d'un massage thérapeutique efficace. Le moteur de massage Human Touch **FlexGlide** s'ajuste automatiquement à l'intensité adéquate pour soulager les courbatures et douleurs les plus tenaces. Chaque zone reçoit une séance de massage de sept minutes.

- 1 Soulagez les pressions qui tendent votre cou (retirez l'oreiller).
- 2 Vous avez passé la journée assis au bureau? Soulager le stress logé entre vos épaules.
- 3 Ciblez automatiquement les nœuds sous vos omoplates.
- 4 Soulagez pleinement les muscles du milieu de votre dos.
- 5 Vous avez passé la journée debout? Soulagez complètement le bas de votre dos, sur toute sa surface, jusque sur les côtés.
- 6 Ciblez la zone entourant votre colonne vertébrale, vers les maux et les douleurs de votre région lombaire.



FlexGlide® Technologie brevetée de massage orbital.



Réconfortante, sensible et tellement raffinée, notre nouvelle solution de massage FlexGlide® offre une expérience apaisant le stress comme jamais auparavant. Exempt du pincement et de la friction associés aux fauteuils de massage courants, tout le contour de votre corps est touché de façon thérapeutique par la flexibilité sans précédent et le glissement continu de notre technologie orbitale brevetée FlexGlide. En peu comme un massothérapeute passant d'un massage sec à un massage chaud avec de l'huile, grâce à l'expérience FlexGlide vous savourerez le délice de l'ultime relaxation.

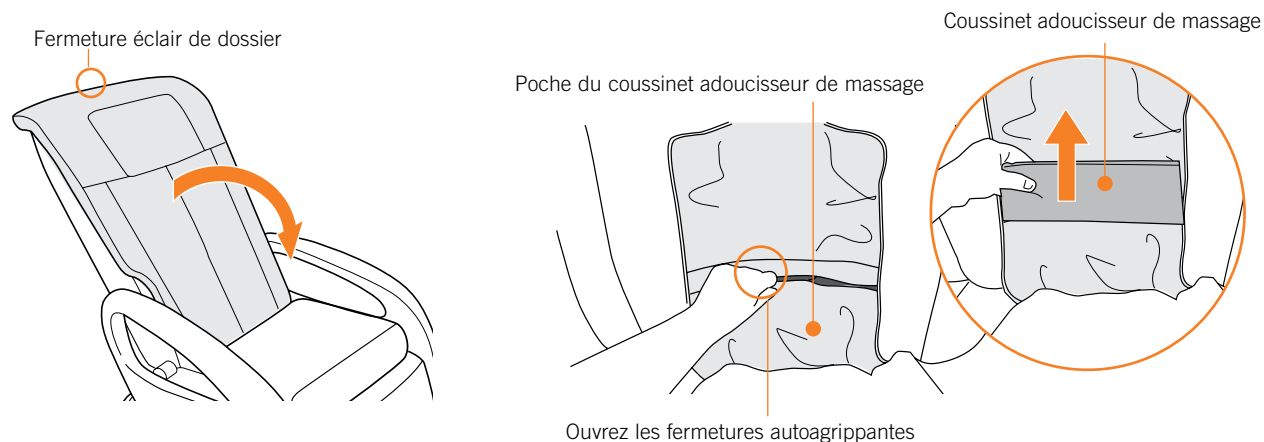
⦿ Lorsque vous n'utilisez pas la télécommande, rangez-la dans la poche pratique qui se trouve du côté gauche du coussin du siège de manière à ce qu'elle ne dérange pas.

personnalisez l'intensité de votre massage

Les coussinets adoucisseurs de massage adoucissent l'intensité du massage.
Pour un massage plus agressif, retirez les coussinets adoucisseurs de massage.

Pour profiter de la puissance optimale du Human Touch, retirez simplement le coussinet adoucisseur de massage. Gardez-le cependant à portée de la main, au cas où vous souhaiteriez le remettre dans la pochette plus tard.

1. Ouvrez la fermeture éclair du dossier.
2. Ouvrez les fermetures autoagrippantes qui maintiennent en place la poche du coussinet adoucisseur de massage.
3. Retirez le coussinet adoucisseur de massage du coussin de dossier.
4. Fermez de nouveau la fermeture éclair de l'arrière du coussin de dossier du fauteuil.



Votre fauteuil de massage Human Touch peut être doté de fermetures éclair fermées à l'aide d'une attache de sécurité en plastique. Coupez l'attache de sécurité à l'aide d'un coupe-ongles ou autre instrument approprié. Prenez soin de ne pas couper le tissu du fauteuil.

Vous pouvez vous procurer d'autres coussins adoucisseurs de massage auprès de Human Touch, moyennant des frais supplémentaires.

soin et entretien

Afin de vous assurer que votre fauteuil fonctionne bien et qu'il conserve une belle apparence, veuillez suivre ces consignes faciles d'entretien.

⚠ MISE EN GARDE :

1. Assurez-vous de débrancher le cordon d'alimentation de la prise murale avant le nettoyage.
2. Nettoyer le boîtier de commande et l'interrupteur à l'aide d'un linge sec seulement. Ne nettoyez jamais le système de commande ou le bouton d'alimentation à l'aide d'un linge humide.
3. Avant de procéder au nettoyage de toute la surface du produit à l'aide d'une solution nettoyante, veillez à en faire l'essai sur une petite portion camouflée du produit afin de vous assurer qu'elle n'entraîne pas de décoloration.
4. N'utilisez pas de benzène, de diluant ou de solvant pour nettoyer le produit.

Norme de nettoyage : W

Pour maintenir votre produit Human Touch en état optimal, époussetez-le fréquemment ou passez-y l'aspirateur à l'aide d'une brosse douce. On peut également brosser les produits SoftSuede^{MD} à l'aide d'une brosse pour le suède. Seuls les nettoyants à l'eau pour meubles conviennent au nettoyage de ce produit. Pour traiter les taches, appliquez localement un shampoing pour meubles ou un détergent moussieux doux.

Entretien et réparation :

1. La mécanique de ce fauteuil a été conçue et construite afin de ne nécessiter aucun entretien. Aucune lubrification ni entretien périodique ne sont nécessaires.
2. Votre fauteuil ne doit être réparé que par un centre de service agréé.

Environnement d'utilisation et de rangement :

1. Lorsque le fauteuil ne doit pas être employé sur une longue période, nous vous recommandons d'enrouler le cordon d'alimentation et de placer le fauteuil dans un endroit exempt de poussière et d'humidité.
2. Ne le rangez près d'une flamme ou d'une source de chaleur.
3. N'exposez pas cet appareil aux rayons directs du soleil sur une longue période. Cela pourrait le décolorer ou l'endommager.
4. N'utilisez pas et ne rangez pas votre fauteuil dans des températures extrêmes. Les produits rangés au froid peuvent devoir attendre 48 heures à la température de la pièce avant de bien fonctionner.
5. Le produit doit être utilisé et rangé dans un milieu où le taux d'humidité relative sans condensation varie de 10 % à 80 %. Trop d'humidité endommagera la mécanique.

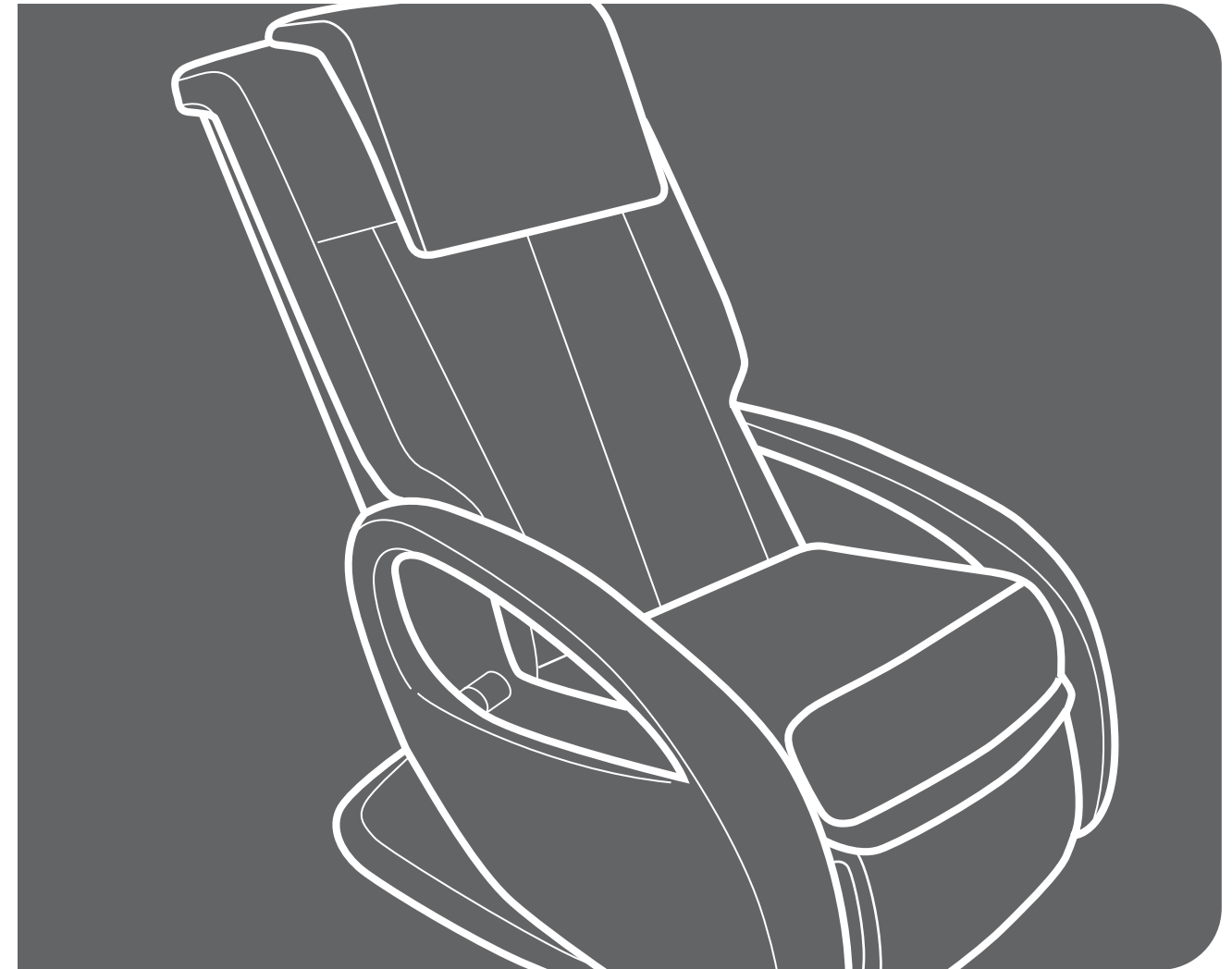
Fiche technique*

Tension de fonctionnement :	110 à 120 volts CA, 60 Hz
Consommation d'énergie :	150 watts
Taille du fauteuil :	111,76 lon. x 60,12 lar. x 101,6 cm H (44 lon. x 28 lar. x 40 po H) (debout) 167,64 lon. x 60,12 lar. x 73,66 cm H (66 lon. x 28 lar. x 29 po H) (plié)
Poids du produit :	48,99 kg (108 lb)
Dégagement d'inclinaison requis :	22,86 cm (9 po)
Poids de charge maximal :	129,27 kg

*La fiche technique est indiquée sous réserve de modifications.

WholeBody[®] 7.1

¡RECLINAR | MASAJEAR | DESLIZAR!



humantouch.com
800.355.2762

 human touch[®]
Your best. Every day.™

manual de uso y cuidado

Registre su producto **EN LÍNEA** hoy

www.humantouch.com/register

Registre su producto **EN LÍNEA** hoy

www.humantouch.com/register



Por más de cuatro décadas, Human Touch se ha establecido como líder de la industria que cambia las vidas de sus clientes con productos y servicios que los ayudan a sentirse, desempeñarse y vivir en la mejor manera posible. Ofrecemos productos desarrollados en colaboración con la comunidad médica y expertos de la industria, productos que combinan tecnología patentada, artesanía y ergonomía inteligente con un diseño superior para ofrecer alivio terapéutico para todos.

Nuestras sillas de masaje, sillas reclinables Perfect Chair® y un conjunto de soluciones innovadoras en evolución, líderes de la industria, comparten los atributos de facilidad de uso, atención al rendimiento y calidad, y diseño para adaptarse a casi cualquier estilo de vida. Estos atributos son muy apreciados por nuestros clientes y obtienen premios y el reconocimiento de toda la industria. Como resultado, Human Touch permite a la gente a disfrutar de una mayor salud y vitalidad en sus profesiones, actividades y vida cotidiana. Y con una población cada vez más consciente de los beneficios del bienestar, Human Touch extiende su liderazgo de marca y soluciones disponibles para el beneficio de todos.

humantouch.com

Orgullosamente avaladas por:



Registre su producto en www.humantouch.com para garantizar que su producto esté en nuestro sistema y simplificar el proceso de garantía, en caso de que la necesite.

WholeBody® 7.1

¡RECLINAR | MASAJEAR | DESLIZAR!

Silla de masaje Human Touch®

¡le damos la bienvenida a
human touch®!

Disfrute de los beneficios de un masaje que cambia la vida todos los días a la vez que mantiene su mente y su cuerpo sanos.

Desde 1979, Human Touch ha producido sillas de masaje líderes en la industria con la tecnología revolucionaria y patentada de Human Touch®. Nuestras sillas han sido diseñadas y fabricadas meticulosamente con materiales de la más alta calidad para proporcionar la máxima experiencia del masaje relajante al replicar las técnicas y el toque terapéutico que usan los profesionales del masaje. Creamos productos que permiten aliviar el dolor y escapar del estrés para sentirse mejor®, disfrutar de una vida más productiva y hacer lo que hacen, de mejor forma. La terapia del masaje es un ingrediente clave para una vida equilibrada y ahora lo puede tener justo en su propia casa.

Experimente las mismas técnicas que emplean los profesionales masajistas y quiroprácticos en el cuidado de la espalda y la columna vertebral. Resulta difícil creer que no es humana. Para garantizar que no olvide ninguna de sus funciones y que la utilizará en forma segura, lea este manual detenidamente. ¡Luego siéntese, relájese y disfrute!

humantouch.com

manténgala en forma segura

INSTRUCCIONES DE SEGURIDAD IMPORTANTES

Cuando utilice un artefacto eléctrico, debe tener siempre precauciones especiales, incluidas las siguientes:

Lea todas las instrucciones antes de usar este artefacto.



PELIGRO: Para reducir el riesgo de sacudida eléctrica:

Desconecte siempre este producto del tomacorriente inmediatamente después de usarlo y antes de limpiarlo.



ADVERTENCIA: Para reducir el riesgo de quemaduras, incendio, sacudida eléctrica o lesiones personales:

- No coloque las manos ni los dedos cerca del mecanismo de masaje, ni de los rodillos mientras este producto esté en funcionamiento. Tocar el mecanismo puede producir lesiones causadas por los rodillos que producen un efecto de compresión.
- Si el cable de alimentación está deteriorado, el fabricante, su agente de servicio o una persona calificada similar debe reemplazarlo para evitar peligros.
- Un artefacto nunca debe dejarse desatendido mientras esté conectado. Cuando no esté en uso, desconéctelo del tomacorriente antes de colocarlo o retirarle piezas.
- No lo ponga en funcionamiento bajo una sábana o cojín. Puede ocurrir el calentamiento excesivo y producir un incendio, sacudida eléctrica o lesiones personales.
- Se requiere su supervisión muy de cerca cuando este artefacto es utilizado por, con o cerca de niños, personas inválidas o discapacitadas. Mantenga a los niños retirados del apoyapies cuando esté extendido (o de otras piezas similares).
- Utilice este producto solamente para el uso que se describe en este manual. No utilice conexiones no recomendadas por el fabricante.
- Nunca haga funcionar este artefacto si tiene un cable o enchufe dañado, si no funciona correctamente, si se ha caído o deteriorado, o si ha caído en el agua. Devuelva este producto a un centro de servicio para su revisión y reparación.
- No hale este artefacto por el cable de alimentación, ni utilice el cable como mango.
- Mantenga siempre el cable de alimentación alejado de superficies calientes.
- Nunca haga funcionar este artefacto con los orificios de ventilación obstruidos. Mantenga los orificios de ventilación libres de pelusa, cabellos y cosas por el estilo.
- Nunca deje caer ni introduzca objetos en ningún orificio o abertura.
- No se utilice en exteriores.
- No se utilice en lugares donde se empleen productos en aerosol (spray) o donde se administre oxígeno.
- Para desconectarlo, apague todos los controles colocándolos en posición OFF y luego retire el enchufe del tomacorriente.
- No masajee ninguna zona del cuerpo que esté hinchada, inflamada o cubierta con erupciones.
- No se utilice si presenta dolor en las pantorrillas de causa desconocida.
- No utilice este producto sobre el piso húmedo o mientras alguna parte del cuerpo esté en contacto con tuberías o tomas de tierra similares.
- Conecte siempre este artefacto a un tomacorriente debidamente conectado a tierra. Consulte las INSTRUCCIONES DE PUESTA A TIERRA.
- No use este producto si escucha ruido más fuerte del sonido normal.
- No se ponga de pie sobre el artefacto. Úselo solamente sentado.
- Tenga cuidado al usar las superficies calientes. Pueden causar quemaduras serias. No lo use en zonas de la piel muy sensibles o con problemas de circulación. El uso de calor por niños o personas discapacitadas puede ser peligroso sin la atención de otras personas.

Precauciones de seguridad

- Se recomienda usar ropa cómoda mientras se utiliza este producto.
- Este producto ha sido diseñado para usarlo en posición relajada. Nunca fuerce ninguna parte del cuerpo hacia el área del espaldar mientras los rodillos estén en movimiento.
- Si siente alguna molestia anormal durante el funcionamiento de este producto, apague la alimentación eléctrica de inmediato y no utilice este producto. Consulte a su médico.
- No se siente sobre el control.
- No hale el cable de CA.
- Cuando utilice este producto después de haberse mantenido almacenado, compruebe que funciona debidamente antes usarlo.
- Compruebe siempre que no haya obstáculos detrás del producto y que haya espacio suficiente para reclinarlo.

CONSERVE ESTAS INSTRUCCIONES

No intente reparar este producto usted mismo.

Este producto está diseñado para uso personal en casa. Su uso comercial anula la garantía.

Instrucciones de puesta a tierra:

Este producto debe estar conectado a tierra. En caso de mal funcionamiento o avería, la puesta a masa ofrece una vía de menor resistencia para la corriente eléctrica para reducir el riesgo de sacudida eléctrica. Este producto está equipado con un cable que tiene un conductor de puesta a tierra del equipo y un enchufe de puesta a tierra. El enchufe se debe conectar a un tomacorriente adecuado que esté correctamente instalado y puesto a tierra, en conformidad con todos los códigos y ordenanzas locales.

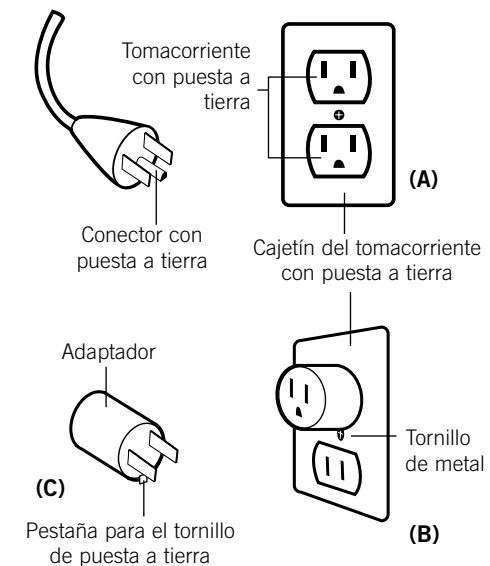


ADVERTENCIA: La conexión inadecuada del conductor de puesta a tierra del equipo puede resultar en riesgo de sacudida eléctrica. Si no está seguro de que este producto esté correctamente puesto a tierra, consulte con un electricista calificado o con un técnico de servicio. No modifique el enchufe suministrado con el producto. Si no corresponde con el tomacorriente, haga que un electricista calificado le instale un tomacorriente adecuado.

Este producto se usa en circuitos normales de 120 voltios y tiene un enchufe de puesta a tierra similar al enchufe que se muestra en la ilustración (A). Se puede utilizar un adaptador temporal similar al que se muestra en las ilustraciones (B) y (C) para conectar este enchufe a un receptáculo de 2 polos como el que se muestra en la ilustración B, en caso de no tener disponible un enchufe debidamente puesto a tierra. El adaptador temporal se debe utilizar sólo hasta que un electricista calificado instale un tomacorriente debidamente conectado a tierra (ilustración A). La pestaña rígida en forma de oreja, de color verde, o similar, que sale del adaptador se debe conectar a una toma de tierra permanente, como por ejemplo, una tapa de cajetín de tomacorriente debidamente puesta a tierra. Cuando se use el adaptador, se debe asegurar con un tornillo de metal.

Para todos los productos conectados con un cable con puesta a tierra:

Métodos de puesta a tierra:



En Canadá no se permite el uso de adaptadores temporales.

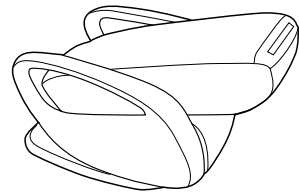


ADVERTENCIA: Este producto está equipado con un protector térmico de restablecimiento. Es una característica de seguridad adicional para protegerle a usted y al producto contra el recalentamiento. Si el producto se detiene repentinamente y no arranca, coloque el interruptor principal ubicado en la parte posterior del producto en posición de apagado (Off) y no ponga el producto en funcionamiento al menos durante 30 minutos. Si no apaga el producto, el producto puede reiniciar el funcionamiento de repente mientras se enfría.

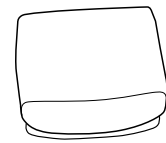
Armar la silla de masaje Human Touch es fácil. ¡Coloque el cojín del asiento, el cojín de la cabeza, y listo!

prepárese

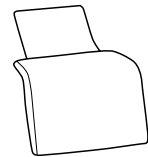
Desenvuelva el producto



Base de la silla



Cojín del asiento



Cojín de la cabeza

1. Desempaque la silla.

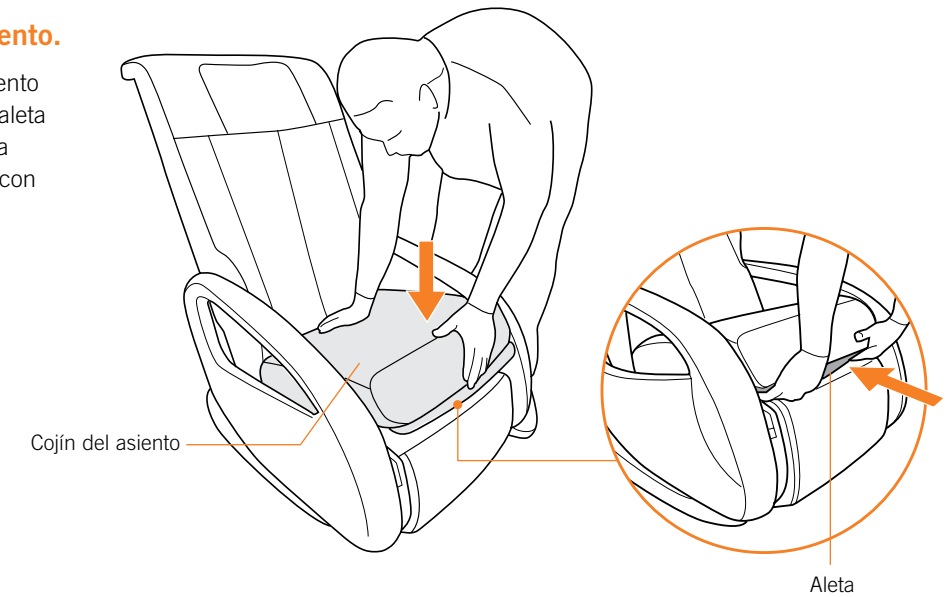
Retire todo el material de empaque de la silla. Tire hacia el espaldar para desplegar la silla en posición recta. El espaldar se fija en posición automáticamente.



Espaldar

2. Adhiera el cojín del asiento.

Alinee y presione el cojín del asiento firmemente en su lugar. Pase la aleta frontal del asiento alrededor de la estructura de la silla y adhiérala con el cierre mágico.

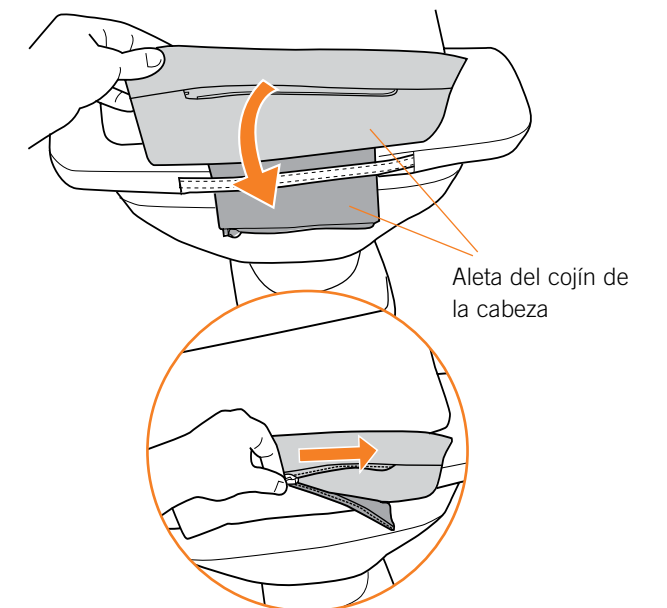
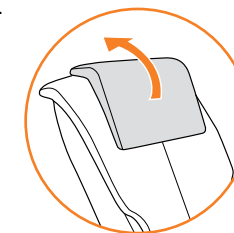


Aleta

3. Asegure el cojín de la cabeza.

Inserte la aleta inferior del cojín de la cabeza por debajo de la banda ubicada en la parte superior del espaldar y luego ajuste la aleta superior con la aleta inferior para asegurarlo.

NOTA: Al disfrutar un masaje, deslice el cojín de la cabeza sobre el espaldar para aumentar la intensidad del masaje del cuello y de los hombros.



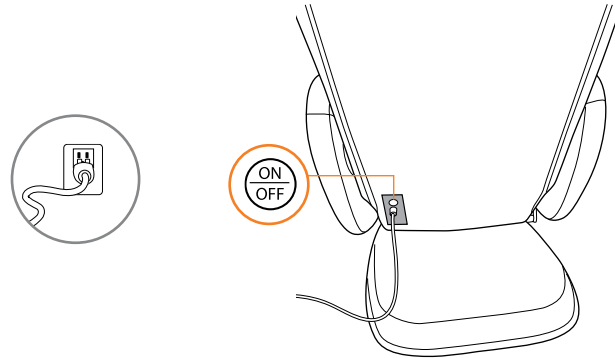
Aleta del cojín de la cabeza

tome asiento

Usar la silla de masaje Human Touch es fácil. Solo siéntese y recline la silla a la posición deseada. La silla de masaje Human Touch le ayuda a sentirse mejor, con una variedad de técnicas de masaje que usted controla. Es la forma perfecta de relajarse y refrescarse.

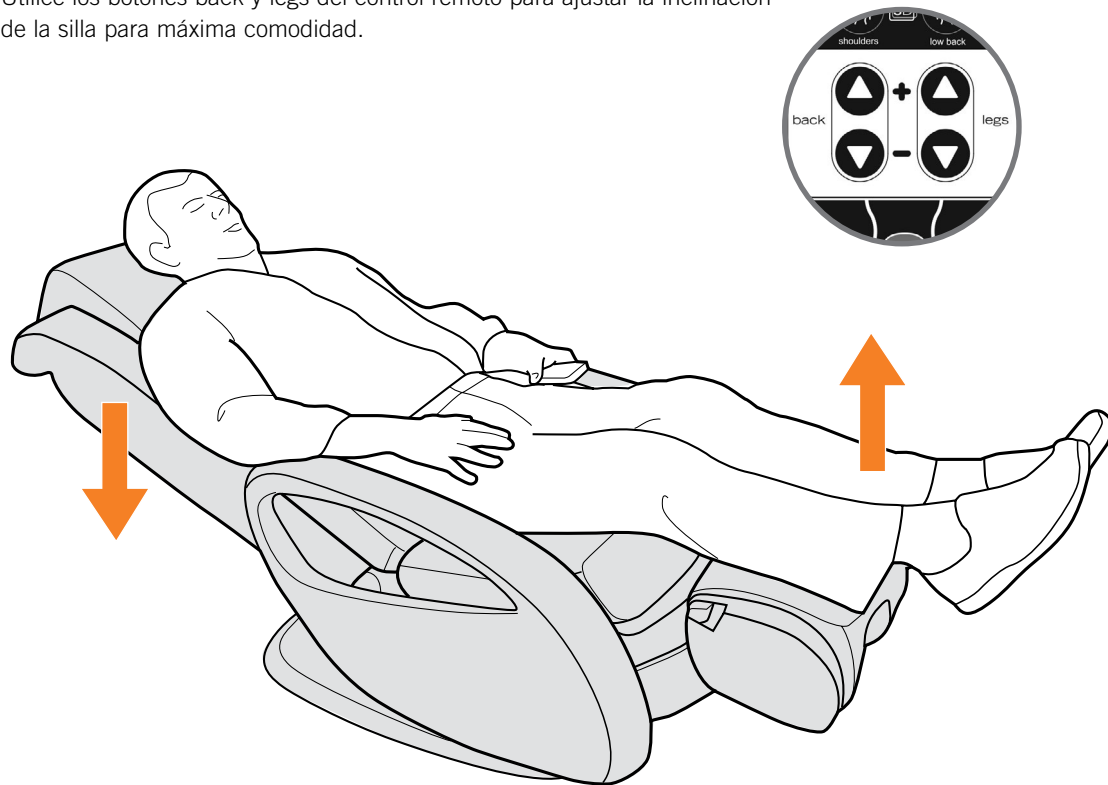
1. Encienda.

Conecte el cable de alimentación a una fuente de alimentación conectada a tierra. Encienda el interruptor principal (en la parte posterior de la silla), colocándolo en posición On.



2. Recline el espaldar y levante el apoyapiernas.

Utilice los botones back y legs del control remoto para ajustar la inclinación de la silla para máxima comodidad.



PARA UN MASAJE EN LOS PIES O LAS PANTORRILLAS

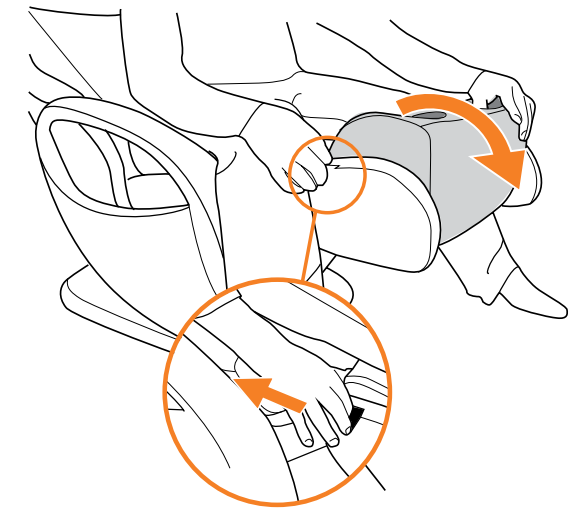
1. Abra el masajeador de pies y pantorrillas.

Hale el mango de liberación de rotación del apoyapiés (ubicado a la derecha del apoyapiés) en dirección hacia usted.

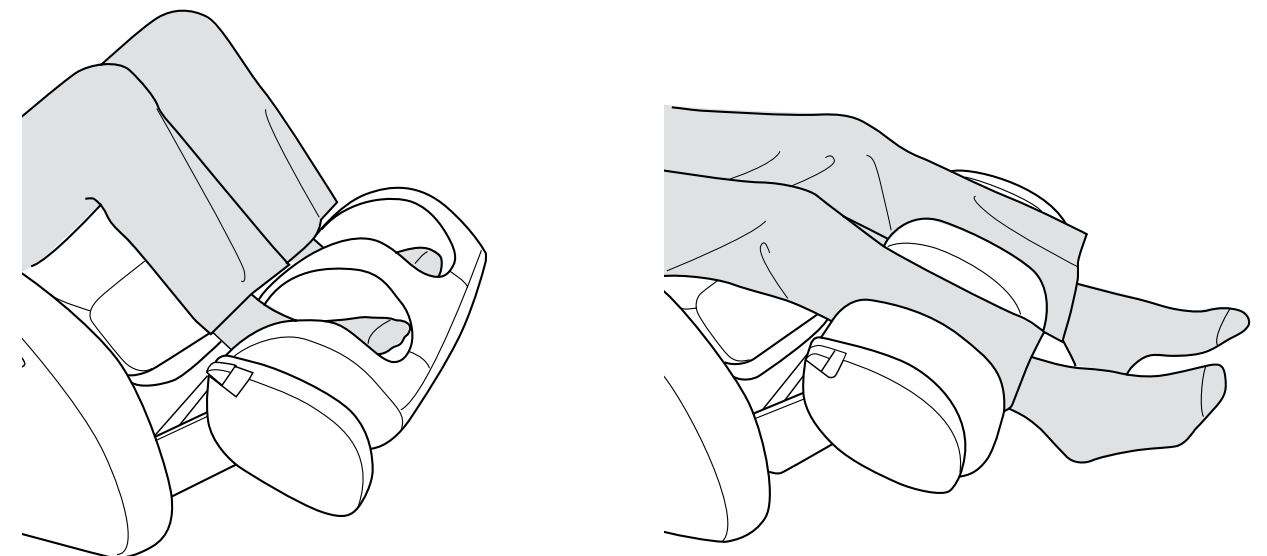
Para darse un masaje en las pantorrillas, rote el apoyapiés alejándolo de la silla hasta que se ajuste en posición, con el masajeador de pies y pantorrillas cara arriba. **No fuerce la rotación del apoyapiés más allá del punto en que se ajusta con un clic. Ejercer demasiada fuerza puede estropear el mecanismo.**

Para darse un masaje en los pies, rote el apoyapiés alejándolo de la silla solo hasta que el masajeador de pies y pantorrillas quede cara arriba. No lo rote demasiado lejos para que se ajuste en posición mediante un clic; el apoyapiés debe moverse libremente para masajear los pies.

NOTA: El masajeador de pies y pantorrillas debe estar asegurado en posición para levantar el espaldar.



2. Introduzca los pies o las pantorrillas.



⚠ No impida el movimiento automático de reclinación e inclinación del espaldar o el apoyapiés. No intente reclinar o inclinar el espaldar o el apoyapiés manualmente. Si se interfiere con el movimiento automático de reclinación, la silla se dañará de manera permanente.

⚠ No se ponga de pie, ni se siente en el masajeador de pies y pantorrillas.

tome el control

Ahora escoja una técnica de masaje. La silla de masaje Human Touch le permite personalizar su masaje para obtener una variedad de beneficios musculares focalizados. Escoja entre tres técnicas de masaje fijas y un masaje por deslizamiento, o combínelos. Utilice el botón Range para personalizar el alcance de su masaje vertical, o los botones Position y Partial Glide para centrar su masaje en un área específica. También puede dejar que la silla tome el control: escoja uno de los cinco programas de masaje automático, que alternan entre las técnicas de masaje y seleccionan áreas clave de su espalda. No importa cómo la use, Human Touch Technology con FlexGlide® ofrece máxima flexibilidad y beneficios de masaje reconfortante.

Detener/Estacionar — Detiene el masaje y estaciona los rodillos masajeadores en la parte superior del espaldar.

Amplitud — Ajusta la amplitud del masaje según desee. Esta función trabaja con los beneficios focalizados de los modos de masaje Flex (Flexible) y Glide (Deslizar).

Posición — Use este botón en combinación con una técnica de masaje fijo para aplicar el masaje en su espalda. Puede presionar este botón antes o después de seleccionar la técnica de masaje.

Beneficios focalizados — Alterna entre tres técnicas de masaje fijas, cada una diseñada para ofrecer beneficios musculares únicos. Utilice con la función deslizar para masajes de una parte de la espalda o de toda la espalda. (Consulte la tabla de la página siguiente).

Intensidad 3D — Configura la intensidad del masaje 3D de la parte superior e inferior de la espalda en suave (I), medio (II) o intenso (III).

Power Recline — Presione y manténgalo presionado para reclinar/inclinar el espaldar.

Power Footrest Deploy — Controla el ángulo del apoyapiés, para una inclinación y masaje cómodos.

BodyMap PRO®

Aire caliente en la espalda — Activa el calor lumbar cuando de aire caliente. **NOTA:** Después de desactivar el calor, la luz LED se apaga pero el ventilador continúa funcionando para enfriar el calentador. Esto es normal.

Pie/Pantorrilla — Alterna entre dos velocidades fijas y un programa de masaje automático.

Detener — Detiene el masaje.

Alcance — Personaliza el alcance de su masaje vertical.

Full (Completo)
Partial (Parcial)

Programas de masaje automático — Cinco programas únicos, que le masajean automáticamente durante 15 minutos cada uno, con una variedad de técnicas de masaje. Las luces indicadoras LED correspondientes se encienden para indicar cuál técnica de masaje se está usando actualmente.

Pie/Pantorrilla — Alternar entre velocidades fijas y un programa de masaje automático.

○ Cuando no use el control remoto, manténgalo en su bolsillo conveniente ubicado a la izquierda de la silla, para tenerlo a mano.

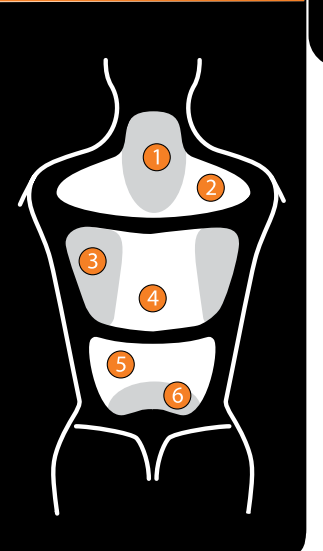
Comprenda los beneficios focalizados

Beneficio focalizado	Lo que hace	Beneficios
Stretch	Masajea la espalda con un movimiento circular pequeño a ambos lados de la columna vertebral simultáneamente.	Alivia la tensión y el dolor levantando y encogiendo los músculos. Mejora la circulación y ayuda a llevar los nutrientes vitales al área espinal.
Flex	Alterna golpes ligeros rápidos a lo largo de la columna vertebral para estimular los músculos y las articulaciones del área espinal mediante la emulación de la técnica masajeadora de percusión que se utiliza en medicina deportiva para la terapia muscular profunda.	Flexiona las articulaciones de la columna y alivia la presión de la columna, con lo cual se vigoriza toda el área de la espalda.
Tone	Combina un movimiento circular con golpes ligeros rápidos.	Alivia la tensión muscular y la presión espinal, mejora la circulación y vigoriza la espalda, todo de una sola vez.
Glide Deslizar	Combina un movimiento circular con golpes ligeros rápidos.	Calienta y afloja los músculos y prepara la espalda para un masaje más profundo. Alivia la tensión muscular, mejora la circulación y relaja la espalda.

Experimente la innovación y la simplicidad de BodyMap PRO

Quando usted siente molestias musculares y en las articulaciones, usted quiere alivio y lo quiere de inmediato. BodyMap PRO de Human Touch se lo ofrece. Simplemente presione el área donde desea sentirse mejor y reciba de inmediato una experiencia de masaje terapéutico eficaz. El motor de masaje de Human Touch FlexGlide® está configurado para ofrecerle automáticamente la intensidad adecuada para aliviar sus dolores y molestias más difíciles. Cada zona ejecuta una función individual de siete minutos.

- 1 Alivie esas fuertes tensiones de su cuello (retire el cojín de la cabeza).
- 2 ¿Ha estado sentado en su escritorio todo el día? Alivie el estrés entre sus hombros.
- 3 Enfoque el masaje automáticamente en los nudos bajo las paletas de la espalda.
- 4 Obtenga un alivio generoso para los músculos en la parte media de la espalda.
- 5 ¿Ha estado de pie todo el día? Obtenga un gran alivio en la parte baja de la espalda y hacia los costados.
- 6 Enfóquese, cerca de la columna, en los dolores y malestares de la parte baja de la espalda.



FlexGlide® Tecnología de masaje orbital patentada

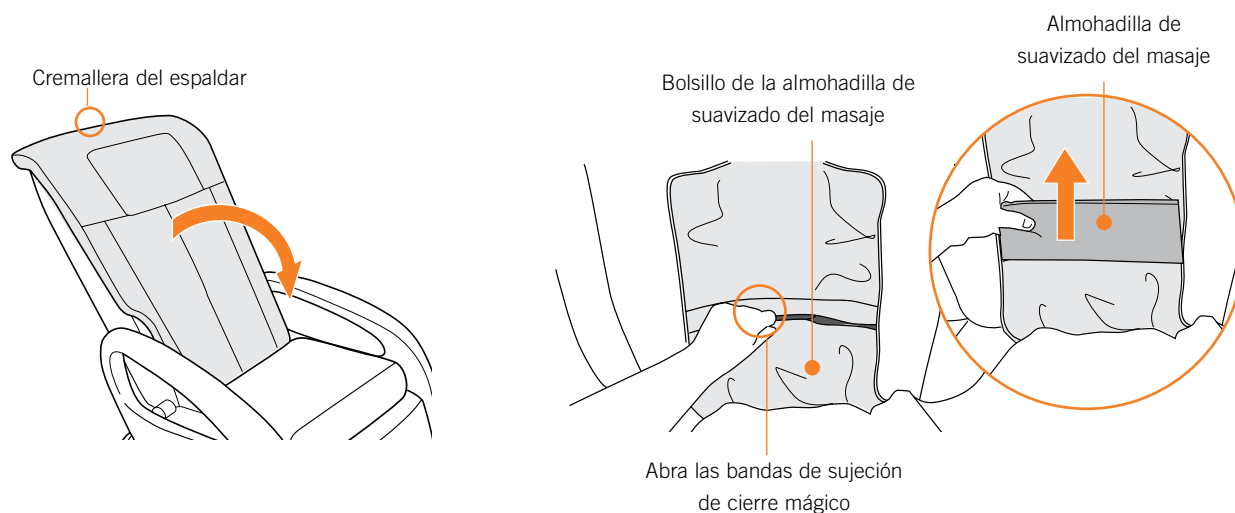
Relajante, sensible y notablemente lujoso, nuestra nueva solución de masaje FlexGlide® proporciona una experiencia de reducción de estrés totalmente novedosa. Sin los pinzamientos y fricciones asociados a las típicas sillas de masaje, todo el contorno de su cuerpo se beneficia terapéuticamente de la flexibilidad y el deslizamiento continuo sin igual de nuestra tecnología orbital patentada FlexGlide. Al igual que una masajista que le hace experimentar el cambio del masaje seco a uno cálido con aceites, la experiencia FlexGlide lo mantendrá disfrutando de la máxima relajación.

personalice la intensidad del masaje

La almohadilla de suavizado del masaje suaviza la intensidad del masaje. Para un masaje más fuerte, retire la almohadilla de suavizado del masaje.

Para experimentar todo el poder de Human Touch sólo retire la almohadilla de suavizado del masaje. Pero manténgala a mano, en caso de que quiera reemplazarla en el futuro.

1. Abra la cremallera del espaldar.
2. Abra las bandas de sujeción de cierre mágico que sujetan el bolsillo de la almohadilla de suavizado del masaje.
3. Retire la almohadilla de suavizado del masaje de la almohadilla del espaldar.
4. Asegure la almohadilla del espaldar a la silla.



La silla de masaje Human Touch puede tener cremalleras cerradas con un nudo plástico de seguridad. Corte el nudo de seguridad con un cortaúñas u otro instrumento adecuado. Tenga cuidado para no cortar la tapicería.

Las almohadillas de suavizado del masaje de repuesto pueden adquirirse a Human Touch a un costo adicional.

cuidado y mantenimiento

Para mantener su producto en funcionamiento y luciendo bien, siga estos pasos simples para su cuidado.



ADVERTENCIA:

1. Asegúrese de desconectar el cable de alimentación del tomacorriente antes de limpiar la silla.
2. Cuando limpie el control o el interruptor de alimentación, utilice solamente un paño seco. Nunca utilice un paño húmedo para limpiar el control ni el interruptor de alimentación.
3. Asegúrese de probar las soluciones limpiadoras en una superficie pequeña no visible del producto para garantizar que el color no se desvanezca antes de usar la solución en toda la superficie del producto.
4. No utilice benceno ni disolventes en su producto.

Estándar de código de limpieza: W

Para mantener su producto Human Touch en óptimas condiciones, limpie el polvo de la silla frecuentemente y/o con una aspiradora de cepillo suave. Los productos SofSuede® también se pueden cepillar con un cepillo para gamuza. Si su producto se ensucia, use solo un limpiador de tapicería a base de agua. Para tratar las manchas, limpie el área manchada con un champú para tapicería o una espuma detergente suave.

Mantenimiento y reparación:

1. La mecánica de este producto está especialmente diseñada y construida para no requerir mantenimiento. No se requiere servicio ni lubricación periódicamente.
2. La silla sólo debe recibir servicio por parte de un centro de servicio autorizado.

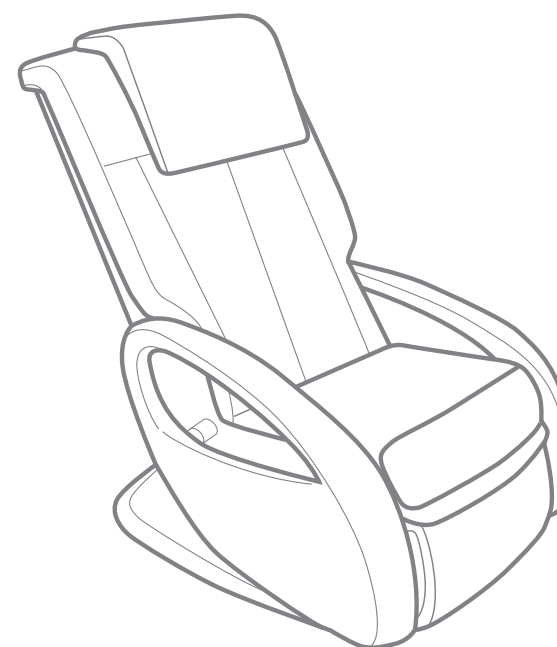
Almacenamiento:

1. Cuando no se utilice por un largo período, recomendamos cubrir la silla, enrollar el cable de alimentación y colocar la unidad en un lugar libre de polvo y humedad.
2. No lo conserve cerca del calor, ni de las llamas.
3. No deje este producto expuesto a la luz solar directa por largos períodos de tiempo. Ello puede causar decoloración o daños.
4. No utilice o almacene el producto a temperaturas extremas; si el producto se almacena a bajas temperaturas, puede ser necesario que el producto esté a temperatura ambiente por 48 horas para que funcione correctamente.
5. El producto se debe utilizar y almacenar en un ambiente sin condensación de humedad que oscile entre un 10 y un 80%. La humedad excesiva dañará la mecánica del producto.

Especificaciones*

Voltaje de operación:	CA 110-120 V, 60 Hz
Consumo de energía:	150 vatios
Tamaño de la silla:	44" Largo x 28" Ancho x 40" Alto (derecha) 66" Largo x 28" Ancho x 29" Alto (reclinada)
Peso del producto:	49 kg. (108 Lbs.)
Espacio necesario para reclinarla:	9"
Peso máximo de carga:	129,27 kg. (285 Lbs.)

*Las especificaciones quedan sujetas a cambio sin previo aviso



humantouch.com