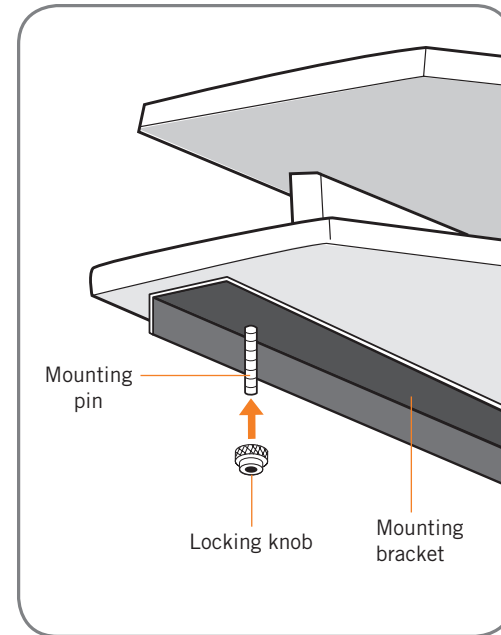
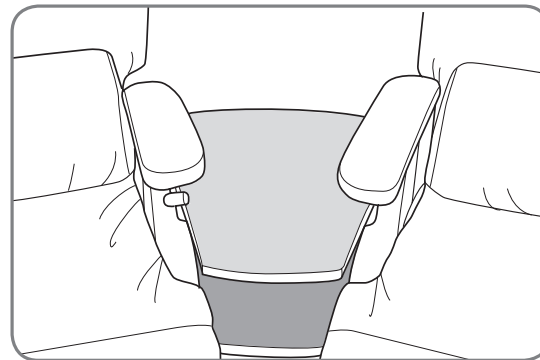


- 9 Install a locking knob on the underside of each mounting pin to secure the table firmly to the mounting brackets. Install the locking knob large end facing up.



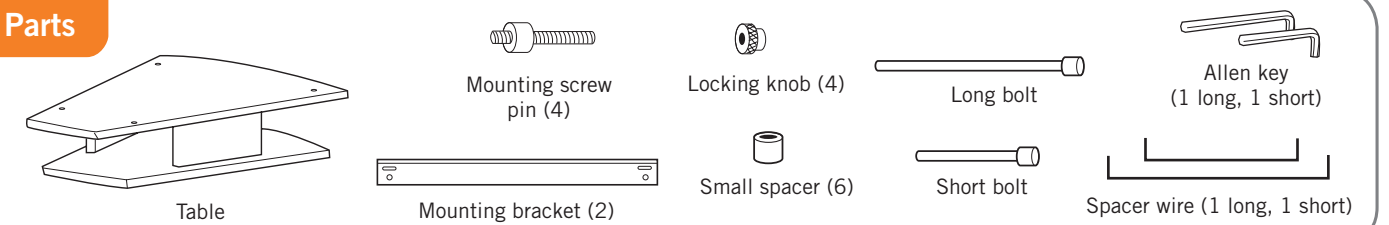
- 10 Your PC Spanner table installation is now complete. Retain the four bolts you removed from your chairs in case you want to return your chairs to their original configuration. You can also add more spanner tables and chairs to expand your layout. Enjoy!



Questions? Call Human Touch Customer Service at 800-355-2762.

Installing your Perfect Chair® Wedge Spanner Table.

Parts



GET READY

- 1 Place the first chair on its side on a soft surface with the side on which you want to mount the table facing up.

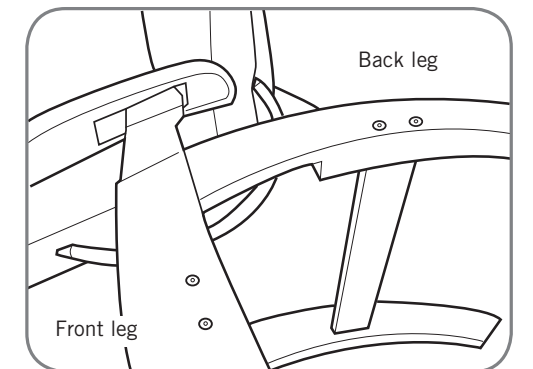


Fig. 1

- 2 Remove the two bolts shown in Fig. 2. Save both bolts in case you wish to restore your chair to its original configuration later.

NOTE: While removing the two screws, one or more barrel nuts may fall out of the cross bar on the chair frame. If this occurs, reinsert the barrel nut onto the cross bar, then turn it so that the notch in the barrel nut runs parallel to the chair leg.

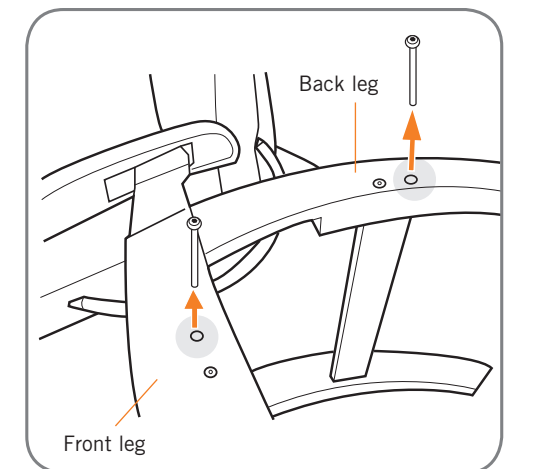
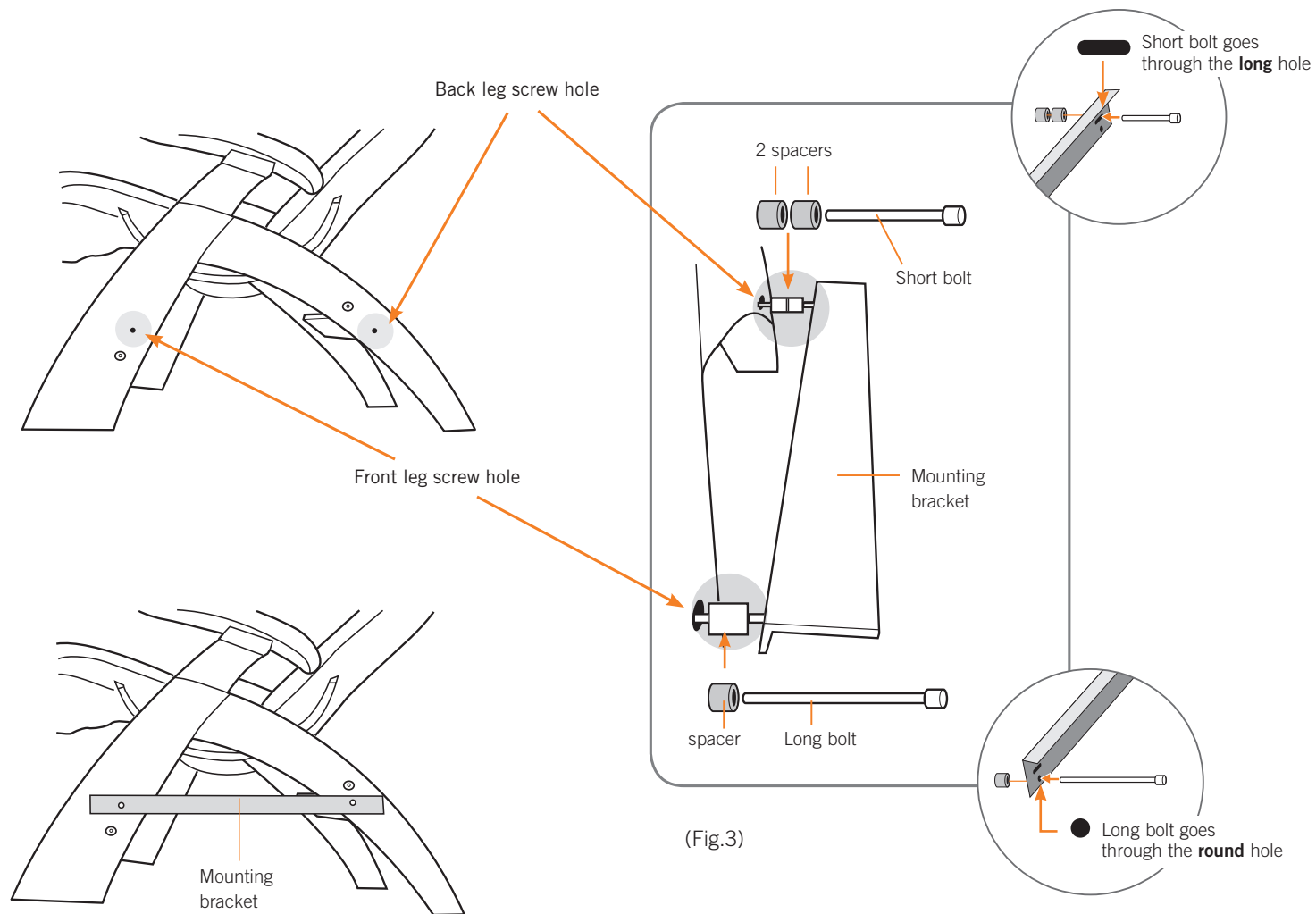


Fig. 2

INSTALL THE MOUNTING BRACKETS

- 3 Place two spacers over the back leg screw hole, align the long hole on the mounting bracket with the spacer hole, then secure the spacers and bracket using one of the short bolts (Fig.3). Hand-tighten the bolt, leaving it slightly loose.

NOTE: If you are unable to insert the bolt, the barrel nut installed in the cross bar is not properly aligned. Use your fingernail or a flat-head screwdriver to turn the nut so that the notch runs parallel to the chair leg, then hold the barrel nut in place while tightening the bolt.

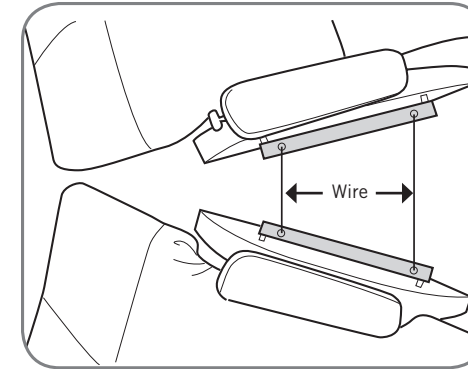


- 4 Place one spacer over the front leg screw hole, align the round hole on the mounting bracket with the spacer hole, then secure the spacer and bracket using one of the long bolts (Fig.3). Use a provided Allen wrench to tighten both the front and rear bolts.

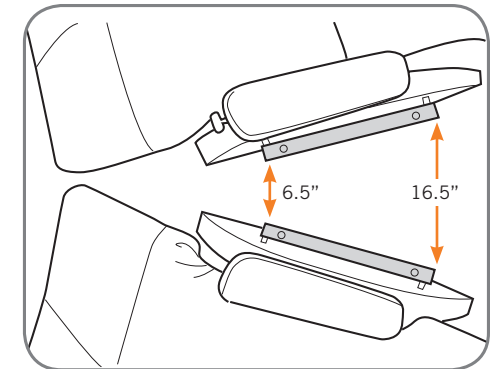
- 5 Repeat steps 1 - 4 to install the mounting bracket on the opposite side of the second chair.

INSTALL THE TABLE ONTO THE MOUNTING BRACKETS

- 6 Position both chairs in the desired location. Do one of the following:



Insert the alignment wires into the bracket holes, pulling the chairs apart so the wires are tight, as shown in Fig. 4. Remove the wires after positioning; retain them for future use.

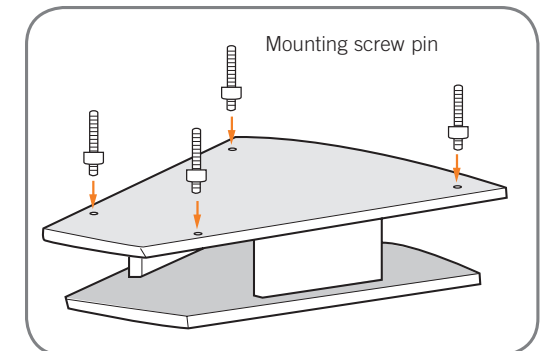


Use a ruler to space the chairs as shown in Fig. 5.

OR

- 7 Remove the table from the packaging, then carefully place it face-down on a soft surface.

Install and hand-tighten the four mounting screw pins as shown in Fig. 6.



- 8 Grasp the table with screw pins installed then lower the table between the chair arms, aligning the mounting screw pins with the corresponding holes in the mounting brackets. Press down firmly to secure the table into the mounting brackets (Fig.7). You may need to adjust the chair position to align all four pins.

NOTE: If there are rubber grommets installed in the mounting brackets, they may pop out while installing the table. Replace them before completing the installation.

