



humantouch.com
800.355.2762

©2023 Human Touch®, LLC. Patents pending and intellectual property rights enforced.
No medical claims are warranted or implied by the use of this product.
Human Touch is a trademark of Human Touch®, LLC.
WBROVEPRO-NA-A0

Register your product **ONLINE** today
www.humantouch.com/register



use & care manual

ENG

use & care manual

FRC

mode d'emploi et d'entretien

Register your product **ONLINE** today
www.humantouch.com/register



For **more than four decades**, Human Touch has established itself as an industry leader that is changing the lives of its customers with products and services that help them **feel, perform, and live their best**. Developed in cooperation with the medical community and industry experts, we deliver products that blend patented technology, craftsmanship and intelligent ergonomics with superior design to enable therapeutic relief for everyone.

Our industry-leading massage chairs, Perfect Chair® recliners and evolving set of innovative solutions share attributes in their ease-of-use, attention to performance and quality, and design to adapt to most any lifestyle. These attributes are highly valued by our customers and garner broad industry award and recognition. As a result, Human Touch empowers people to enjoy greater health and vitality in their professions, pursuits and everyday lives. And with a population increasingly aware of the benefits of wellness, Human Touch extends its brand leadership and available **solutions for the benefit of everyone**.

humantouch.com

Proudly endorsed by:



Register your product at www.humantouch.com to ensure your product is in our system to simplify the warranty process should you ever need it.



welcome to **human touch**®

Enjoy the life-changing benefits of a massage every day, keeping your mind and body healthy.

Pave your own path, make your own road, and then recover like you should. The WholeBody® ROVE PRO massage chair will make your wellness journey smooth and remarkable.

The high-performance L-track extends coverage from your neck and shoulders down to your glutes and thighs. The ROVE PRO's unique auto programs are focused on helping you relax and recover after a hard workout, or just life in general. Allow the dynamic stretch to position your body for lengthening of your back and muscles, giving you renewed energy and life—every day.

To ensure that you don't overlook any of your chair's features, and that you use it safely, read this manual carefully. Then sit back, relax, and enjoy!

humantouch.com

keep it safe

IMPORTANT SAFETY INSTRUCTIONS

When using an electrical appliance, basic precautions should always be followed, including the following:

READ ALL INSTRUCTIONS BEFORE USING THIS APPLIANCE.

DANGER: To reduce the risk of electrical shock

Always unplug this product from the electrical outlet immediately after using and before cleaning.

WARNING: To reduce the risk of burns, fire, electric shock or injury to persons:

- Do not put hands or fingers near the massage mechanism or rollers while this product is running. Touching the mechanism can result in injury from the rollers squeezing together.
- If the supply cord is damaged, it must be replaced by the manufacturer or its service agent or a similarly qualified person in order to avoid a hazard.
- An appliance should never be left unattended when plugged in. Unplug from outlet when not in use, and before putting on or taking off parts.
- Do not operate under blanket or pillow. Excessive heating can occur and cause fire, electric shock, or injury to persons.
- Close supervision is necessary when this product is used by, on, or near children, invalids, or disabled persons. Keep children away from calf support (or other similar parts).
- Use this product only for its intended use as described in this manual. Do not use attachments not recommended by the manufacturer.
- Never operate this product if it has a damaged cord or plug, if it is not working properly, if it has been dropped or damaged, or dropped into water. Return this product to a service center for examination and repair.
- Always keep the power cord away from heated surfaces.
- Never operate this product with the air openings blocked. Keep the air openings free of lint, hair, and the like.
- Never drop or insert any object into any opening.
- Do not use outdoors.
- Do not operate where aerosol (spray) products are being used or where oxygen is being administered.
- To disconnect, turn all controls to the OFF position, then remove plug from outlet.
- Do not massage any area of the body that is swollen, inflamed or covered with skin eruptions.
- Do not use on unexplained calf pain.
- Do not use this product when standing on a damp floor, or when any part of the body is in contact with plumbing or any similar ground.
- Connect this appliance to a properly grounded outlet only. See **GROUNDING INSTRUCTIONS**.
- Do not use this product if noise above normal sound is heard.
- Do not stand on or in appliance. Use only while seated.
- This appliance is not intended for use by persons (including children) with reduced physical, sensory or mental capabilities, or lack of experience and knowledge, unless they have been given supervision or instruction concerning use of the appliance by a person responsible for their safety. Children should be supervised to ensure that they do not play with the appliance.

SAFETY PRECAUTIONS

- Comfortable clothing is recommended while using this product.
- This product was meant to be used in a relaxed position. Never force any body part into the backrest area while the rollers are moving.
- If you feel any abnormal discomfort during the operation of this product, turn off the power immediately and do not use the product. Consult your physician.
- Do not sit on the controller.
- Do not pull on the AC cord.
- When using this product after it has been in storage, check to see that the product is operating properly prior to use.
- Always confirm that there are no obstacles behind the product and that there is sufficient space to recline.

SAVE THESE INSTRUCTIONS

Do not attempt to repair this product yourself.

This product is designed for personal in-home use. Commercial use will void warranty.

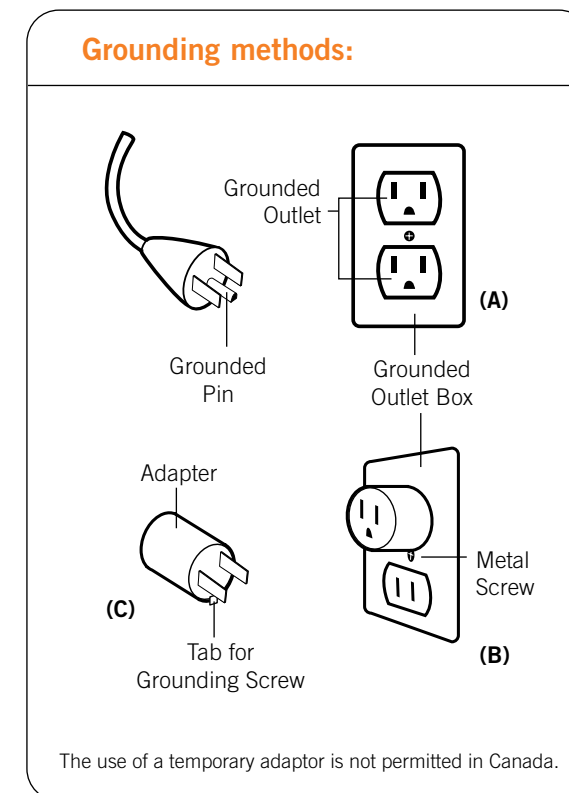
Grounding Instructions:

This product must be grounded. If it should malfunction or breakdown, grounding provides a path of least resistance for electrical current to reduce the risk of electric shock. This product is equipped with a cord having an equipment-grounding conductor and a grounding plug. The plug must be plugged into an appropriate outlet that is properly installed and grounded in accordance with all local codes and ordinances.

DANGER: Improper connection of the equipment-grounding conductor can result in a risk of electronic shock. Check with a qualified electrician or serviceman if you are in doubt as to whether this product is properly grounded. Do not modify the plug provided with the product – if it will not fit the outlet, have a proper outlet installed by a qualified electrician.

This product is for use on a normal 120-volt circuit and has a grounding plug that looks like the plug illustrated in sketch (A). A temporary adapter that looks like the adapter used in sketches (B) and (C) may be used to connect this plug to a 2-pole receptacle as shown in sketch (B), if a properly grounded plug is not available. The temporary adapter should be used only until a properly grounded outlet (sketch A) can be installed by a qualified electrician. The green colored, rigid ear tab or the like extending from the adapter must be connected to a permanent ground such as a properly grounded outlet box cover. Whenever the adapter is used, it must be held in place by a metal screw.

For all grounded cord-connected products:



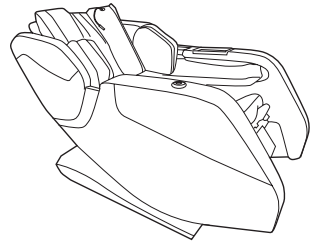
This device complies with Part 15 of the FCC Rules. Operation is subject to the following two conditions: (1) This device may not cause harmful interference, and (2) this device must accept any interference received, including interference that may cause undesired operation.

WARNING: This product is equipped with a thermal resetting protection device. This is an added safety feature to protect you and this product from overheating. If the product should suddenly stop and will not start, turn the main power switch, located on the back of the product, off and do not operate the product for at least 30 minutes. Failure to turn the product off may result in the product starting unexpectedly when the device cools.

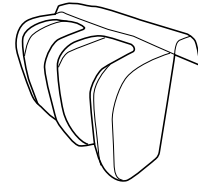
get ready

Setting up your Human Touch massage chair is easy. Just attach the calf massager, connect the body pad, and install the tablet remote and mount. Then plug it in, power it on, and you're all set!

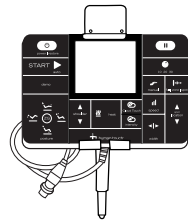
UNPACK THE BOX



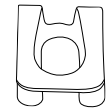
Chair Base



Calf Massager



Tablet Remote and Mount



Clip (extra)



Power Cord

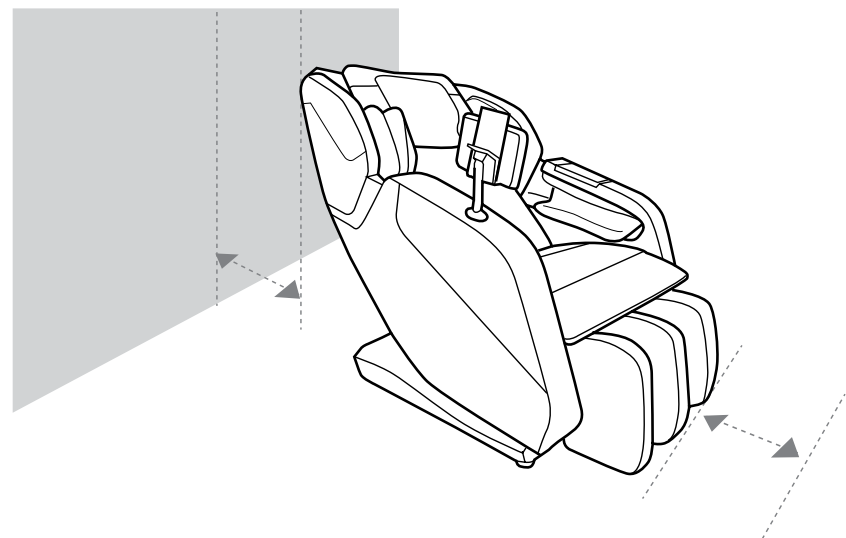


250 V, 3.15 A Fuses (2)

CHOOSE A LOCATION

When deciding where to place your WholeBody® ROVE PRO, consider the following:

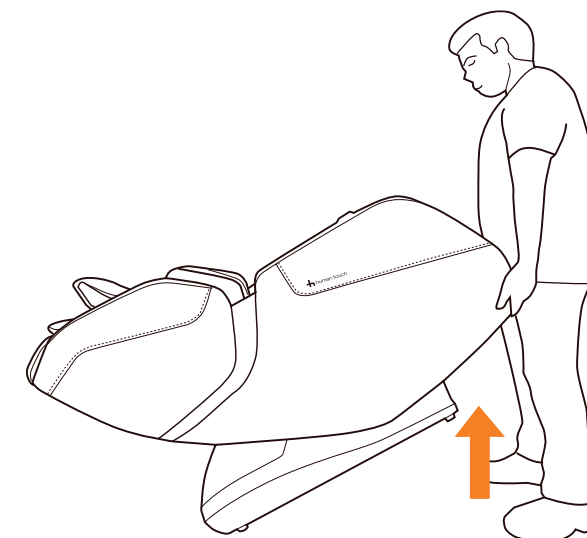
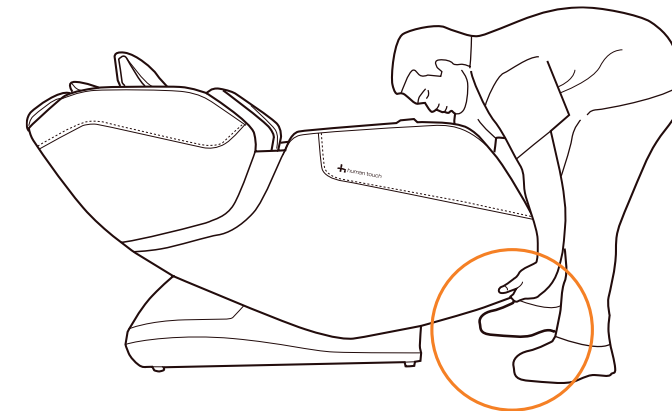
- Place the unit on a flat surface, away from direct sunlight or any other direct heat source (to avoid fading).
- If you wish to place the unit on a hard surface, it is recommended that you place a piece of carpet or a soft mat underneath it to avoid damaging the floor.
- To accommodate the calfrest when deployed, make sure the area in front of the chair is clear for at least five inches.
- The chair moves forward as it reclines, so you can place it right next to the wall.



MOVE THE CHAIR TO THE DESIRED LOCATION

1. Grasp the front of the chair side panels on both sides.
2. Lift up to rotate the chair onto its wheels.
3. Roll the chair on its wheels to the desired location.
4. Gently lower the chair all the way to the floor.

WARNING: Dropping the front of the chair to the floor may damage the chair and/or floor.



ASSEMBLE THE CHAIR

Raise the Chair to the Upright Position

1. Plug the power cord into the rear of the chair and then into a grounded wall outlet.
2. Turn the power switch located on the back of the chair base to On. The chair automatically inclines to the upright position (Fig.1).
3. Power off the chair, then unplug it.

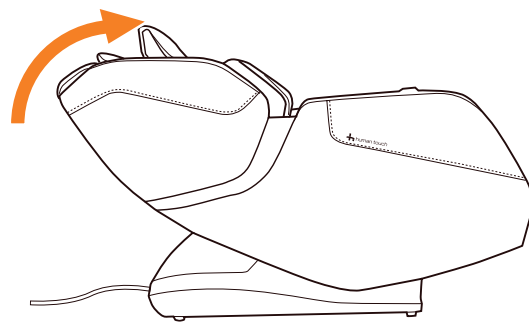


Fig.1

Install the Calf Massager

1. Remove and retain the two clips from the calf massager mounting posts located on the front of the chair by prying the tongue of each clip outward to release it (Fig.2).

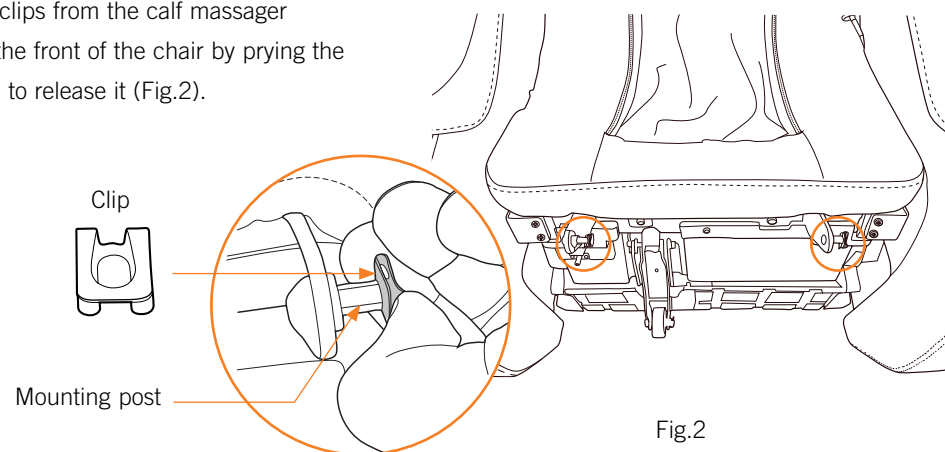


Fig.2

2. Place the massager into position in front of the chair, then connect the two air hoses and electrical connector (Fig.3).

IMPORTANT: Match the air hoses by color.

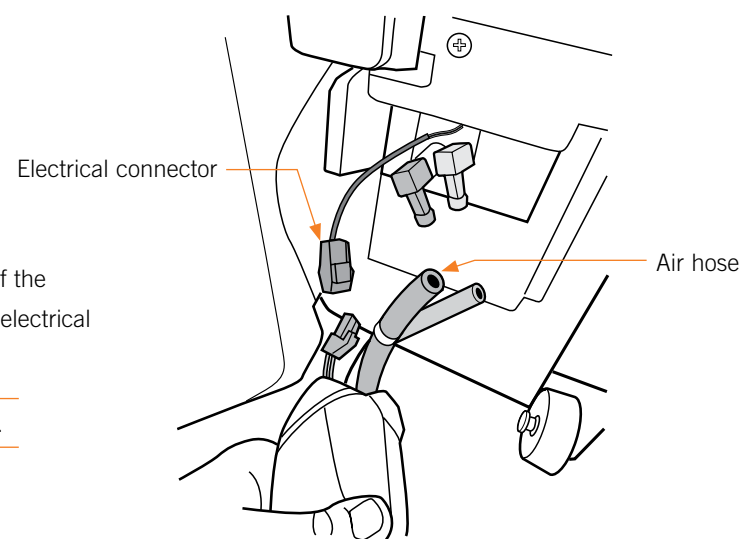


Fig.3

3. Position the massager mounting brackets to the right of the mounting posts, lift the massager from the floor, then slide the mounting brackets onto the mounting posts (Fig.4).

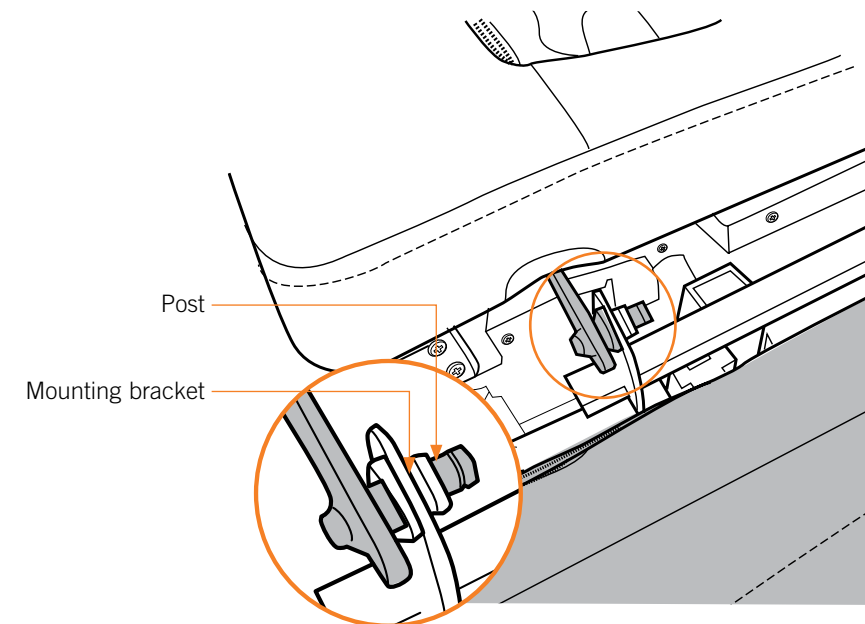
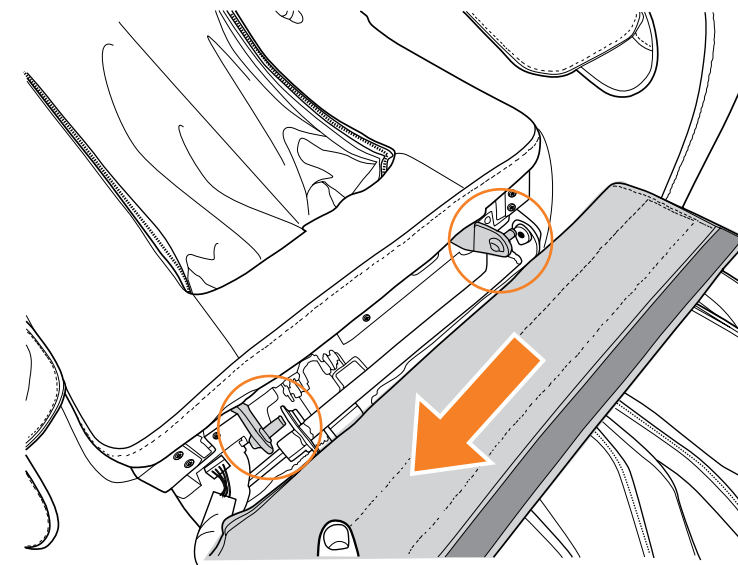
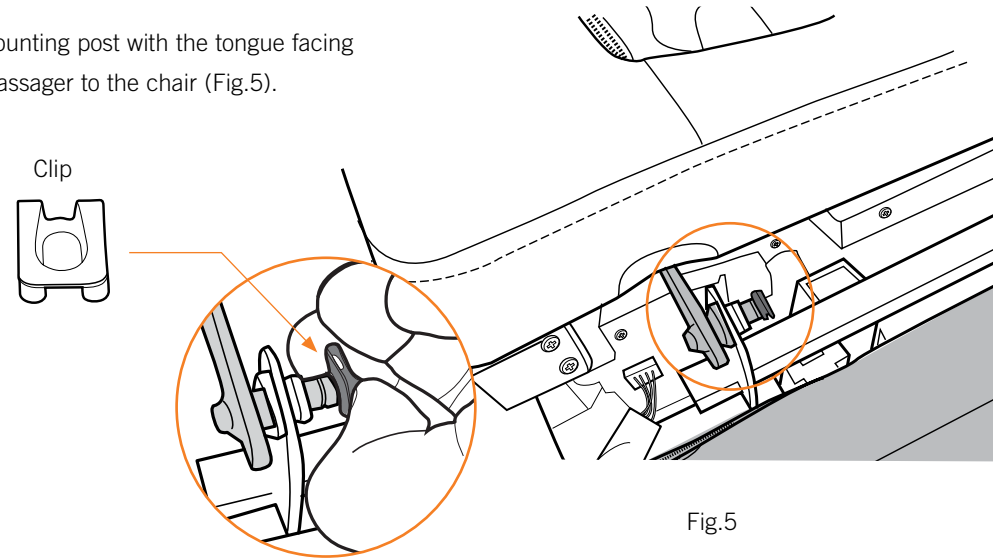
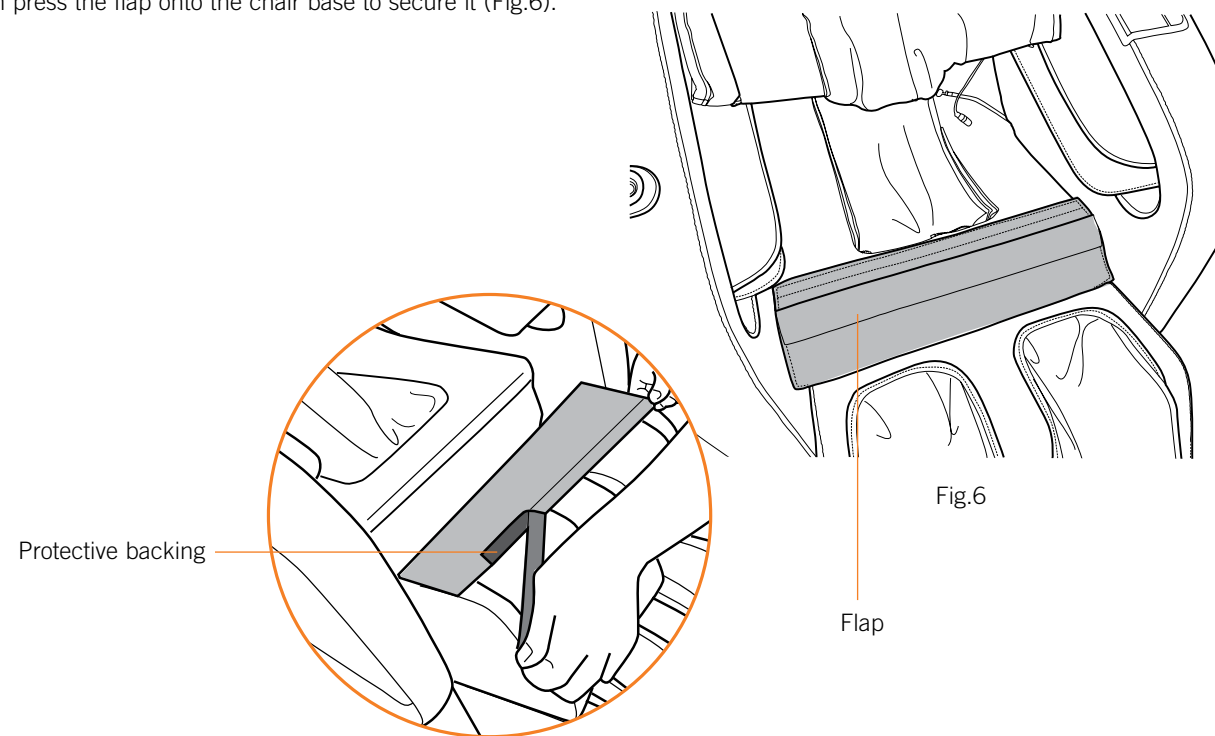


Fig.4

4. Reinstall a clip onto each mounting post with the tongue facing to the right, to secure the massager to the chair (Fig.5).

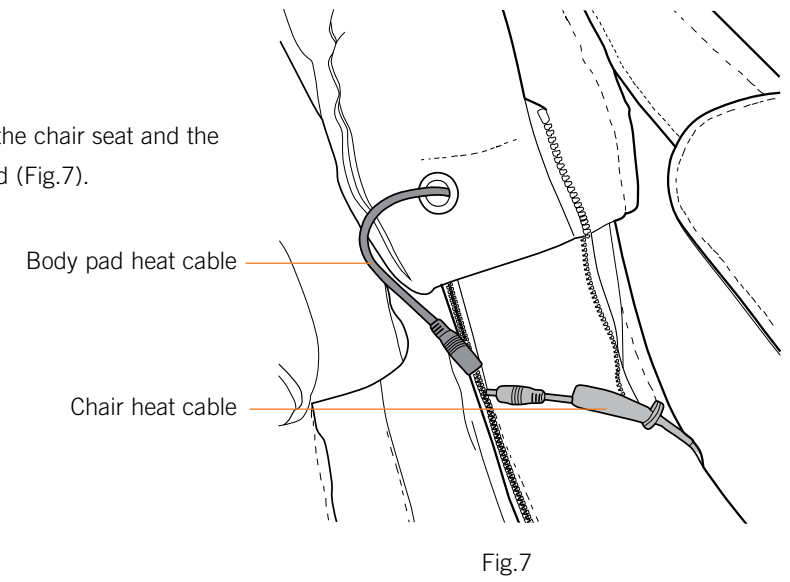


5. Remove the protective backing from the hook-and-loop fasteners on the back of the calf massager upholstered flap, then press the flap onto the chair base to secure it (Fig.6).

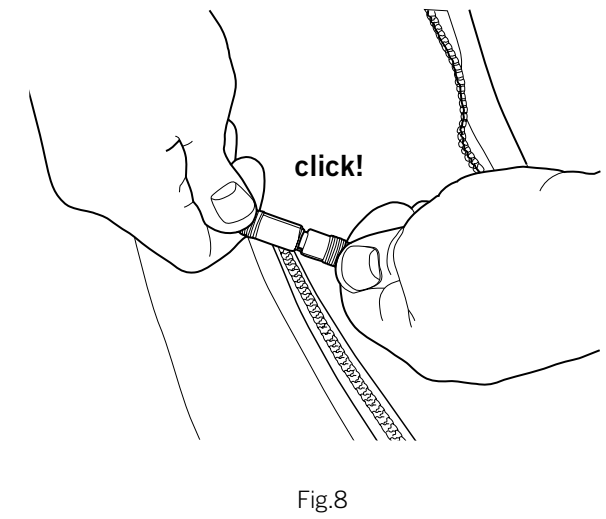


Install the Body Pad

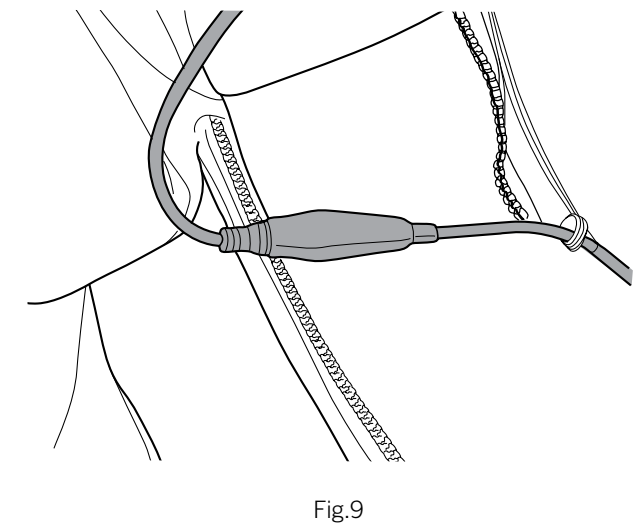
1. Locate the heat cable on the left-hand side of the chair seat and the corresponding cable coming from the body pad (Fig.7).



2. Connect the heat cables until you hear a click, indicating that the connection is properly secured (Fig.8).



3. Slide the protective rubber casing over the connection to secure it (Fig.9).



- 4. Zip both sides of the body pad to the chair; the zippers start at the top of the backrest (Fig.10).

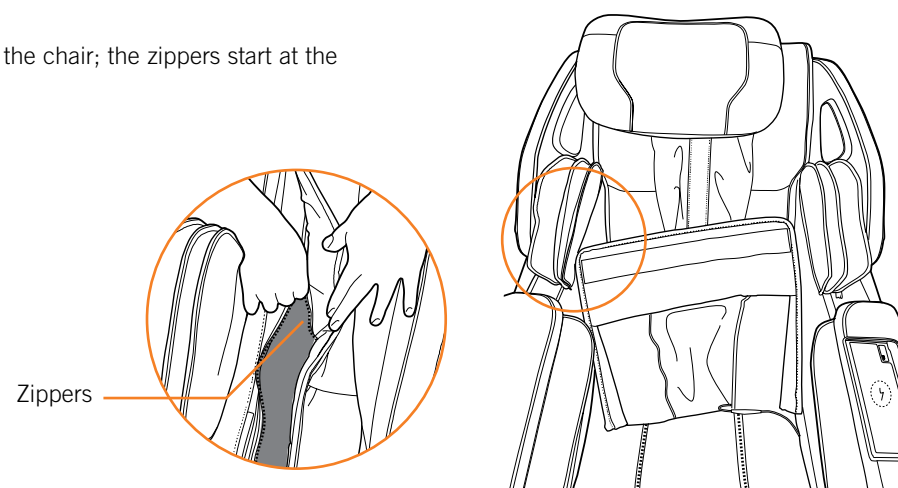


Fig.10

- 5. Remove the protective backing from the hook-and-loop fasteners on the back of the lower body pad, align the fasteners with the fasteners on the calf massager upholstered flap, then press down on the body pad to secure it to the chair (Fig.11).

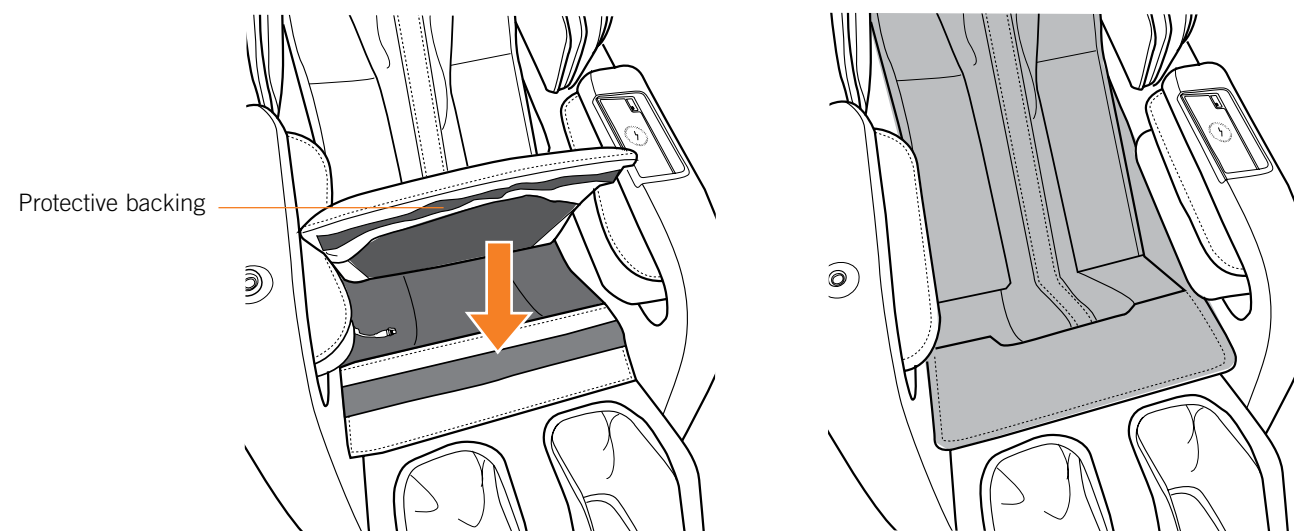


Fig.11

Connect the Tablet Remote

- 1. Locate the tablet remote connector on the right-hand side of the chair seat (Fig.12).

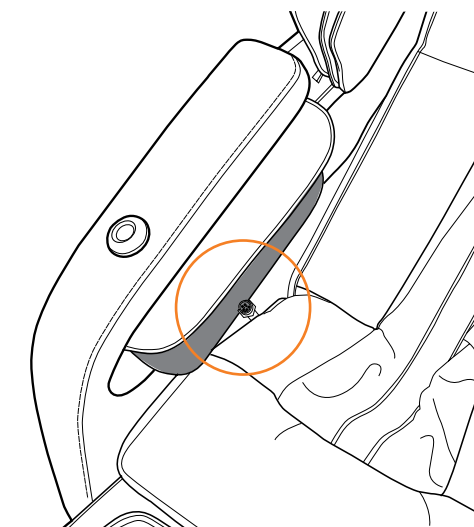


Fig.12

- 2. Matching the tablet remote connector pins with the corresponding holes in the tablet remote connector on the chair, connect the connectors (Fig.13).
- 3. Turn the connector lock clockwise to secure it (Fig.13).

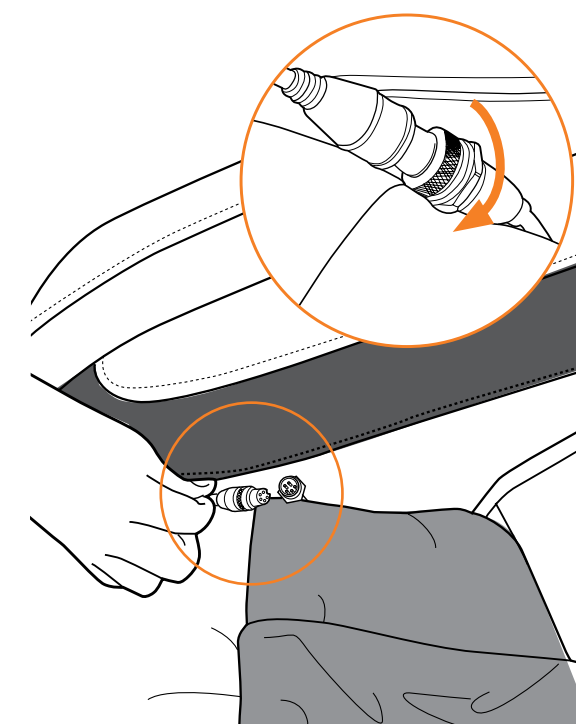


Fig.13

Install the Tablet Remote and Mount

1. Place the tablet remote mount into position with the alignment ridge facing the front of the chair, then lower the holder into the socket (Fig.14).

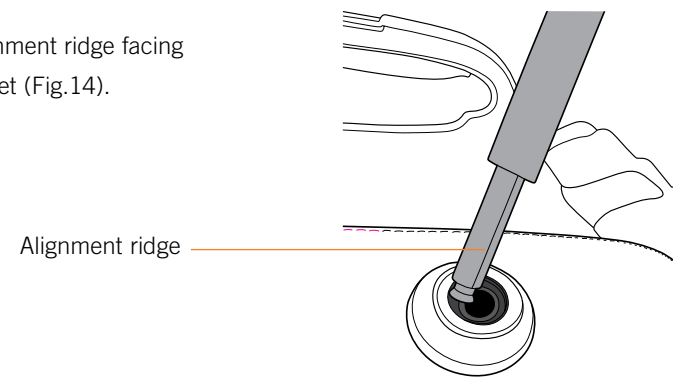


Fig.14

3. Angle the tablet remote to face you comfortably when sitting in the chair (Fig.16)

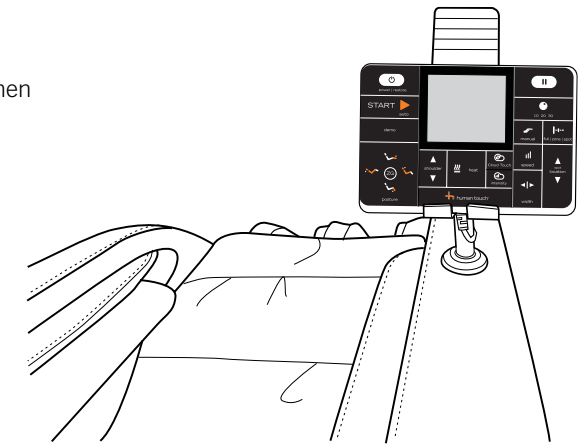


Fig.16

2. Push the tablet remote mount firmly into the socket until you hear a click (Fig.15).



Fig.15

Power the Chair On

1. Turn the power switch on the back of the chair base to On.

get acquainted

USING THE TABLET REMOTE

POWER / RESTORE — Press to activate the tablet remote. Press again to stop all function and restore the chair to the upright position.

Lights when raising or lowering the calf massager.

Press and hold to raise the calf massager.

Press and hold to recline the chair.

Press and hold to lower the calf massager.

ZEROG® — Press to recline the chair to the zero gravity position for maximum spinal relief.

Indicates the current program in use.

Indicates the program time remaining.

Lights when in ZG position.

Lights when Pause button is pressed and all function has stopped. Screen also flashes when paused.

PAUSE — Press to pause all functions immediately. Press again to resume.

Lights when inclining or reclining the chair.

Indicates the program time remaining.

10 20 30

manual full | zone | spot

shoulder heat Cloud Touch speed spot location intensity

human touch® width

power | restore

START auto

demo

ZG posture

USING THE AUTO PROGRAMS

ACUPOINT® DETECTION — After selecting an auto massage program, the massage mechanism scans your back and maps the massage programs for maximum effectiveness.

Lights when manually adjusting the shoulder height.

Lights when using an auto massage program.

AUTO — Press repeatedly to cycle through the massage programs.

DEMO — Press to start the Demo program.

MANUAL HEIGHT ADJUST — After AcuPoint Detection is complete, press and hold the arrows to adjust the vertical massage range if desired.

Flashes to indicate the massage technique(s) currently in use.

power | restore

START auto

demo

ZG posture

shoulder heat Cloud Touch speed spot location intensity

human touch® width

10 20 30

manual full | zone | spot

SELECT FROM THE FOLLOWING AUTO MASSAGE PROGRAMS.

PROGRAM	FOCUS	INTENSITY
1P	FULL BODY - Enjoy a balanced robotic and air massage from head to toe.	Medium / Low
2P	RECOVERY - Intense robotic and air massage for full-body healing to assist in recovery with greater efficiency.	Medium / High
3P	YOGA STRETCH - Relaxing full-body massage with bend and stretch functionality to provide leg and spine extension using soothing air massage and robotic massage focusing on your lumbar and glutes.	Medium / Low
4P	UPPER BODY - Relieve neck and shoulder strain with this kneading massage.	Medium
5P	LOWER BODY - Soothe your tired lower back, hips, and glutes with this kneading and tapping massage combined with air massage.	Medium
6P	RELAX - Wind down with this full-body massage.	Medium
7P	RELIEF - Relieve tension throughout the body with this primarily kneading massage.	Medium / Low
PP	DEMO - Brief, full-body demonstration of all massage features.	Medium

take control

CUSTOMIZE YOUR MESSAGE

Reads 00 when in manual mode.

CLOUD TOUCH ACCUPRESSURE — Press repeatedly to cycle through three Cloud Touch zones (Full, Upper, or Lower)

MANUAL — Press repeatedly to cycle through five massage techniques.

RANGE — In manual mode, press repeatedly to cycle through Full, Zone, or Spot massage ranges.

SPOT — When Spot massage range is selected, press and hold to adjust the vertical massage roller position.

SPEED — In manual mode, press repeatedly to adjust the massage speed (except in Rolling mode).

WIDTH — In manual mode, press repeatedly to adjust the massage roller Width (except in Kneading modes).

Indicates manual message vertical range.

Indicates message speed.

Indicates manual message width.

Indicates manual message roller width.

Indicates Cloud Touch intensity.

human touch

Fine-Tune Your Massage

After starting your massage, you can fine-tune it by setting the Duration and Cloud Touch intensity, as well as activating the heat.

Lights when backrest heat is on.

DURATION — Press repeatedly to cycle through three message timer settings (default is 20 minutes).

HEAT — Press to turn the backrest heat on/off.

CLOUD TOUCH INTENSITY — Press repeatedly to adjust the Cloud Touch intensity.

Indicates Cloud Touch intensity.

human touch

MODE	DESCRIPTION
KNEAD & PERCUSS	Combines circular kneading motion with rapid-tapping percussion strokes.
PERCUSSION	Alternates rapid-tapping strokes along the spine to stimulate both spinal muscles and spinal joint areas, emulating the percussive massage technique used in sports medicine for deep muscle therapy.
KNEADING	Kneads your back in a small, circular motion on both sides of your spine simultaneously.
ROLLING	Rolls gently up and down your back near your spine.
TAP	A pulsing and rolling massage.

want a stronger massage?

Remove the Head Pillow

For a stronger neck massage, slide the head pillow over the top of the backrest (Fig.17), or unzip and remove it.

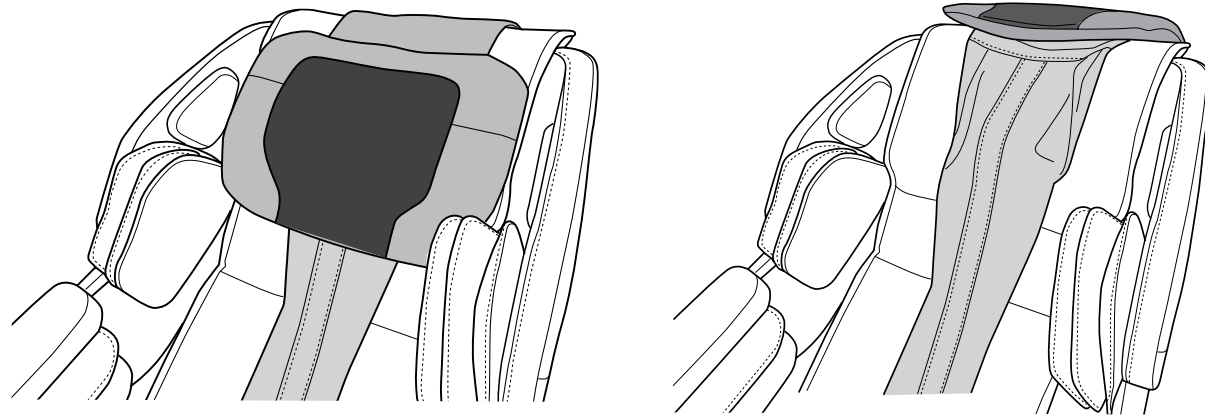


Fig.17

To remove the head pillow, open the zipper on the underside of the head pillow upholstered flap, then slide the pillow out from under the head pillow retaining strap (Fig.18).

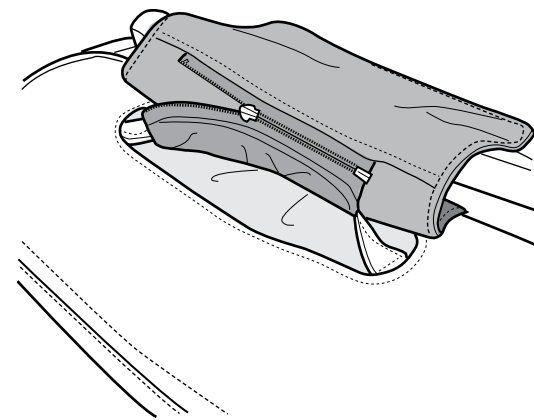


Fig.18

Remove the Softening Pad

1. To remove the softening pad, remove the head pillow, and locate the zipper on the top of the softening pad, near the back of the chair (Fig.19).

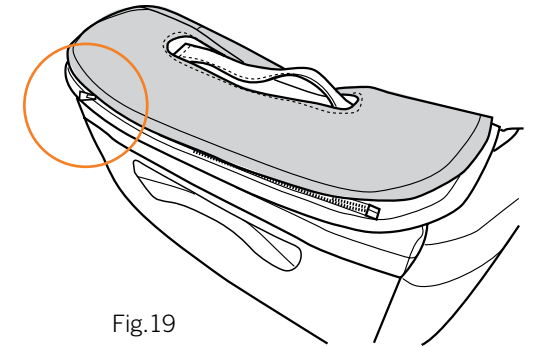


Fig.19

2. Unzip the softening pad and remove it from the chair (Fig.20).

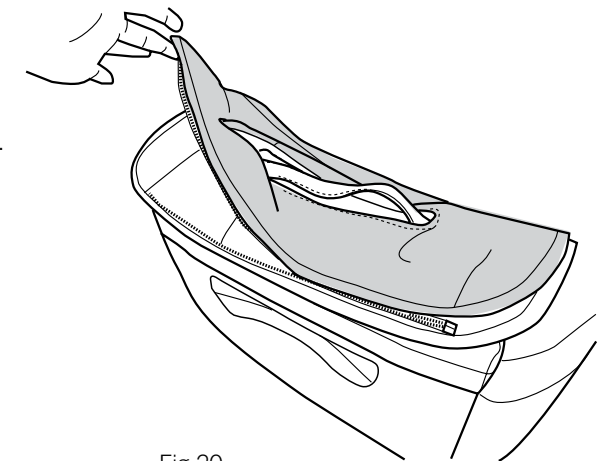


Fig.20

care and maintenance

To keep your product working and looking its best, please follow these simple care guidelines.

WARNING:

1. Be sure to disconnect the power cord from the electrical outlet before cleaning.
2. When cleaning the remote control or power switch, use a dry cloth only. Never use a damp cloth to clean any electrical component.

CAUTION:

1. Be sure to test any cleaning solution on a small, inconspicuous part of the product to ensure that the color does not fade prior to using the solution on the entire product surface.
2. Do not use benzene, thinner or any other solvents on your product.

Cleaning Code Standard for SofHyde or Cloth: W

To maintain your Human Touch product in optimum condition, dust it frequently and/or vacuum it with a soft brush vacuum extension. If your product becomes dirty, use a water-based upholstery cleaner only. To treat stains, spot clean with an upholstery shampoo or a mild detergent foam. To clean the calf massage well inserts, remove the inserts from the chair, hand-wash with a mild detergent, then line dry.

Maintenance and Repair:

1. The mechanics of this product are specially designed and constructed to be maintenance free. No periodic lubrication or servicing is required.
2. Your chair should only be serviced by a Human Touch-authorized service representative.

Use and Storage Environment:

1. Do not place the chair in direct or reflected sunlight, as ultraviolet rays will quickly fade the upholstery color and cause the SofHyde upholstery to rapidly deteriorate.
2. Operate your chair in a room temperature between 41 and 104 degrees Fahrenheit (5 to 40 degrees Celsius) with humidity levels of 10% to 70% (non-condensing) to avoid damage.
3. To prevent damage to the upholstery, before sitting in your chair make sure there are no sharp objects in your pockets and no metal buttons or zippers that can come in contact with the chair.
4. Do not place the chair where excessive dust and pet hair can migrate into the chair's electrical and mechanical components; this can cause malfunction over time.
5. When not in use for a long period of time, we recommend that the chair be covered, the power cord be coiled, and that the unit be placed in an environment free of dust and moisture.
6. Store your chair in a room temperature between 5 and 122 degrees Fahrenheit (-15 to 50 degrees Celsius) with humidity levels of 10% to 70% (non-condensing) to avoid damage; product stored in cold temperatures may require 48 hours at room temperature to function properly.
7. Do not store near open heat or flame.

In Case of a Power Surge

Your massage chair contains a built-in fuse to protect itself from a power surge. In the event of a power surge, inspect the fuse and replace it if it is blown.

To replace a fuse:

1. Power OFF the chair and unplug the chair from the wall outlet.
2. Pry the fuse holder from the compartment adjacent to the power plug input (Fig.20).
3. Replace the fuse with a new fuse of the same value as the fuse provided with the chair and listed on the fuse compartment cover, then reinsert the fuse holder into the compartment.
4. Plug the chair back into the wall outlet and power it On.

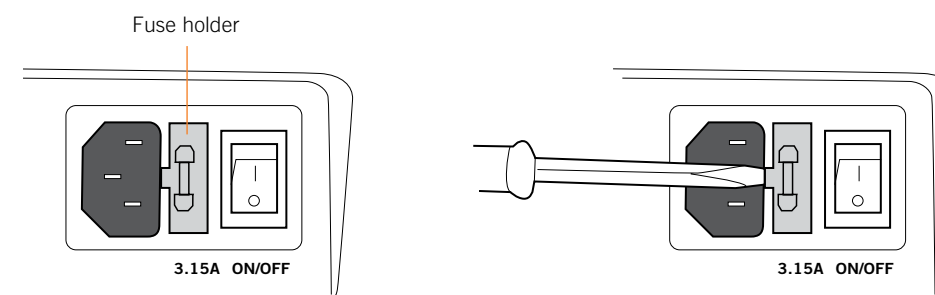


Fig.20

having trouble?

Your massage chair is a sophisticated combination of mechanics, electronics, and software working together to give you the ultimate massage. With such complexity comes opportunity for what we like to call massage chair “confusion.” So, should your massage chair exhibit any abnormal behavior, please do the following to fully reset the chair:

1. Press the tablet remote Power/Restore button to power off the tablet remote.
2. Turn the chair’s power switch (on the rear of the chair) to Off.
3. Unplug the chair from the power source.
4. Wait 30 seconds.
5. Plug the chair back into the power source, then turn the power switch back On.

If your chair has no power:

1. **Check the power cord** - Make sure the power cord connection to the chair is secure and that the power cord is not damaged.
2. **Check the wall outlet** - Plug a known working device into the outlet to ensure the outlet is working.
3. **Replace the fuse** - See page 21 for instructions.

If the issue remains, please do the following before contacting our customer experience team (this will help us help you more quickly):

1. Locate the serial number on label on the back of your chair and write it down.
2. Locate your proof of purchase, as we will need it to process any warranty claim.
3. Now you’re ready to contact us!

Having Trouble? Contact our Customer Experience team at **800-355-2762**,
Monday – Thursday 7 AM to 4:30 PM PST, Friday 7 AM to 3:30 PM
or **csadmin@humantouch.com**

Specifications*

Operating Voltage:	AC 110-120 V, 60 Hz
Power Consumption:	150 W
Charger Ratings:	USB @ 5 V, 3 A, Wireless @ 10 W
Chair Size:	61” L x 30” W x 44” H (upright) 71” L x 30” W x 33” H (reclined)
Product Weight:	180 lbs
Required Recline Clearance:	3”
Maximum Load Weight:	285 lbs

**Specifications are subject to change without prior notice.*



humantouch.com
800.355.2762



Fauteuil de massage Human Touch^{MD}
mode d'emploi et d'entretien

FRANÇAIS

Enregistrez votre produit **EN LIGNE** dès maintenant

www.humantouch.com/register

Enregistrez votre produit **EN LIGNE** dès maintenant

www.humantouch.com/register



Grâce à une expérience de plus de quatre décennies, Human Touch s'est établi comme un chef de file de l'industrie en changeant la vie de ses clients grâce à des produits et services qui les aident à se sentir mieux, à performer davantage et à être à leur meilleur. Élaborés en collaboration avec des experts du domaine médical et de l'industrie, nous offrons des produits qui allient une technologie brevetée, le savoir-faire et une ergonomie intelligente avec une conception supérieure : le soulagement thérapeutique pour tous.

Nos fauteuils de massage, nos fauteuils inclinables PerfectChair^{MD} et notre gamme de solutions innovantes possèdent tous les mêmes attributs en matière de convivialité, de souci de la performance et de la qualité, en plus d'une conception qui s'adapte à la plupart des modes de vie. Ces qualités sont très appréciées de nos clients et nous méritent de nombreuses reconnaissances et de nombreux prix dans l'industrie. Ainsi, Human Touch permet aux gens de vivre en meilleure santé, avec plus de vitalité, que ce soit au niveau professionnel ou personnel, au quotidien. Alors que de plus en plus de gens prennent conscience des bienfaits du mieux-être, Human Touch élargit son leadership de marque et offre des solutions dont tous peuvent profiter.

humantouch.com



Enregistrez votre produit à www.humantouch.com pour que votre produit figure dans notre système, ce qui simplifiera le processus de la garantie, si jamais vous en aviez besoin.



Bienvenue à [human touch](http://humantouch.com)[®]

Les bénéfices d'un massage quotidien changeront votre vie, car vous préserverez la santé de votre esprit et de votre corps.

Pavez votre propre voie, créez votre propre chemin, puis récupérez comme il se doit. Le fauteuil de massage WholeBody[®] Rove PRO rendra votre parcours vers le bien-être doux et remarquable.

Le rail en L haute performance augmente la portée depuis votre cou et vos épaules jusqu'à votre fessier et vos cuisses. Les programmes automatiques uniques du ROVE PRO portent leur attention sur la manière de vous aider à vous détendre et à récupérer après une séance d'exercice difficile ou simplement en général. Laissez l'étirement dynamique positionner votre corps pour étirer votre dos et vos muscles, vous procurant ainsi une énergie et une force vitale renouvelées au quotidien.

Afin de bénéficier du plein potentiel de toutes les caractéristiques de votre fauteuil, et afin de vous assurer que vous en faites un usage sécuritaire, lisez ce guide attentivement. Cela fait, assoyez-vous, détendez-vous, et profitez du voyage!

humantouch.com

consignes de sécurité

CONSIGNES DE SÉCURITÉ IMPORTANTES

Lorsque vous utilisez un appareil électrique, vous devez toujours suivre les précautions de base suivantes :

Lisez toutes les instructions avant d'utiliser cet appareil.

- ⚠ DANGER: Afin de réduire les risques d'électrocution :**
Débranchez toujours cet appareil de l'alimentation électrique dès que vous avez fini de l'employer et avant de le nettoyer.
- ⚠ MISE EN GARDE : Afin de réduire les risques de brûlure, d'incendie, d'électrocution ou de blessure :**
 - Tenez vos mains et vos doigts éloignés du mécanisme de massage et des rouleaux lorsqu'ils sont en marche. Si vous touchez au mécanisme, les rouleaux risquent de se comprimer et de vous blesser.
 - Si le cordon d'alimentation est endommagé, il doit être remplacé par le fabricant, son représentant de service ou un technicien qualifié afin d'éviter tout danger.
 - Un appareil ne devrait jamais être laissé sans surveillance lorsqu'il est branché. Débranchez l'appareil de l'alimentation lorsque vous ne l'employez pas et avant d'y insérer ou d'en retirer des pièces.
 - Ne faites pas fonctionner cet appareil sous une couverture ou sous un oreiller. Une surchauffe pourrait survenir et causer un incendie, une électrocution ou des blessures.
 - Utilisez les surfaces chauffantes avec précaution. Elles présentent un risque de brûlures graves. N'utilisez pas ce fauteuil sur des zones de peau insensibles ou en présence d'une mauvaise circulation. Ce produit peut être dangereux s'il est utilisé sans surveillance par des enfants ou des personnes handicapées.
 - Une surveillance étroite est nécessaire lorsque ce produit est employé près ou par des enfants ou des personnes handicapées. Gardez les enfants à l'abri de l'appui-pied déployé (ou autres pièces semblables).
 - Employez ce fauteuil à ce pour quoi il a été conçu, tel que décrit dans ce guide. Employez uniquement les accessoires recommandés par le fabricant.
 - N'employez jamais ce produit si son cordon ou sa fiche d'alimentation sont endommagés, s'il ne fonctionne pas correctement, s'il a été échappé ou endommagé ou s'il a été immergé. Retournez ce fauteuil à un centre de service pour examen et réparation.
 - Ne transportez pas cet appareil en tirant sur son cordon d'alimentation. N'utilisez pas le cordon d'alimentation comme une poignée.
 - Éloignez toujours le cordon d'alimentation de toute source de chaleur.
 - Ne faites jamais fonctionner ce fauteuil si ses trappes d'aération sont obstruées. Maintenez les trappes d'aération exemptes de peluche, de cheveux et de substances semblables.
 - N'échappez ni n'insérez jamais aucun objet dans aucune ouverture.
 - N'employez pas ce fauteuil à l'extérieur.
 - Ne faites pas fonctionner dans un endroit où on utilise des produits à bombe aérosol (vaporisateur) ou dans un endroit où de l'oxygène est administré.
 - Pour débrancher, mettez toutes les commandes à la position O (arrêt) et retirez la fiche de la prise.
 - Ne massez aucune partie du corps qui soit enflée, enflammée ou présentant des éruptions.
 - Ne massez pas vos jambes si vous souffrez de douleurs idiopathiques.
 - N'employez pas cet appareil sur une surface humide ou lorsqu'une partie de votre corps est en contact avec une structure de plomberie ou autre structure similaire.
 - Ne branchez cet appareil qu'à une prise correctement mise à la terre. Consultez les INSTRUCTIONS DE MISE À LA TERRE.
 - N'employez pas ce fauteuil s'il émet un bruit plus élevé que le son normal.
 - Ne vous mettez pas debout sur ou dans l'appareil. N'utilisez cet appareil qu'en position assise.

Consignes de sécurité

- Nous recommandons le port de vêtements confortables pour l'emploi de ce produit.
- Une position détendue est nécessaire afin de bénéficier des avantages de ce fauteuil. Ne mettez jamais de pression sur aucune partie de votre corps reposant sur le dossier lorsque que les rouleaux sont en mouvement.
- Si vous éprouvez un inconfort anormal lorsque vous employez ce produit, éteignez-le immédiatement et cessez son emploi. Consultez votre médecin.
- Ne vous assoyez pas sur le système de commande.
- Ne tirez pas sur le cordon d'alimentation.
- Si vous employez ce produit après une période de rangement prolongée, vérifiez son bon fonctionnement au préalable.
- Assurez-vous toujours qu'aucun obstacle ne se trouve derrière le fauteuil. Assurez-vous de disposer d'un espace suffisant pour incliner le fauteuil.

CONSERVEZ CE MODE D'EMPLOI

Ne réparez pas ce fauteuil vous-même.

Ce fauteuil est conçu pour un usage personnel au foyer. Tout usage à des fins commerciales annulera la garantie.

Consignes de mise à la terre :

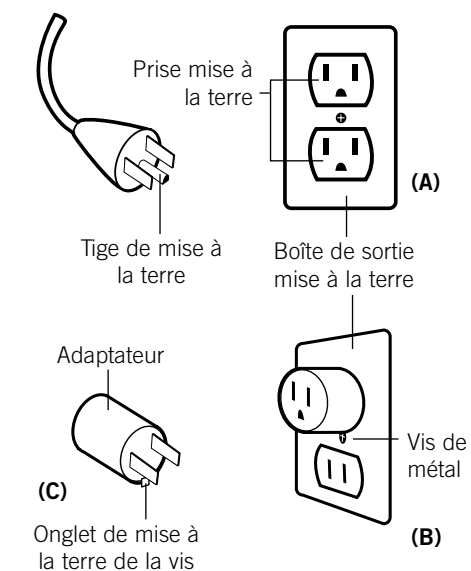
Ce fauteuil doit être branché sur un circuit avec mise à la terre. En cas de mauvais fonctionnement ou de bris, la mise à la terre réduit le risque d'électrocution en permettant au courant électrique d'emprunter le chemin offrant le moins de résistance. Ce fauteuil est pourvu d'un cordon d'alimentation doté d'un conducteur et d'une fiche de mise à la terre. La fiche doit être branchée dans une prise correctement installée et mise à la terre conformément aux ordonnances et aux codes locaux.

⚠ DANGER : Un branchement inadéquat du conducteur de mise à la terre entraîne un risque d'électrocution. Consultez un électricien ou un technicien qualifié si vous n'êtes pas certain que ce fauteuil soit correctement mis à la terre. Ne modifiez pas la fiche accompagnant le fauteuil – si elle ne s'insère pas dans la prise, faites installer une prise appropriée par un électricien qualifié.

Ce fauteuil convient à un circuit de courant nominal de 120 volts. Il est doté d'une fiche de mise à la terre semblable à celle illustrée sur la figure A. Au cas où une prise correctement mise à la terre ne serait pas disponible, un adaptateur temporaire, semblable à celui illustré sur les figures B et C, peut être employé pour brancher cette fiche à une prise de courant à deux trous, tel qu'illustré sur la figure B. L'adaptateur temporaire ne doit être employé que le temps qu'il faudra à faire installer une prise correctement mise à la terre (figure A) par un électricien qualifié. L'onglet rigide de couleur verte sortant de l'adaptateur doit être branché à une prise permanente, telle un couvercle de boîte de sortie correctement mise à la terre. L'adaptateur doit être retenu par une vis de métal.

Pour tous les produits dotés d'un cordon d'alimentation mis à la terre :

Méthodes de mise à la terre :

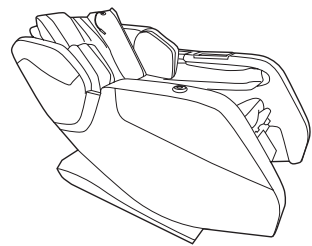


L'utilisation d'un adaptateur temporaire est interdite au Canada.

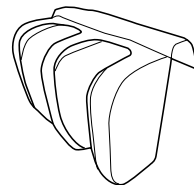
⚠ MISE EN GARDE : Ce fauteuil est doté d'un dispositif de réinitialisation thermique de protection. Il s'agit d'une caractéristique de sécurité supplémentaire installée afin de vous protéger contre la surchauffe du fauteuil. Si le fauteuil s'arrête soudainement et que vous ne pouvez le remettre en marche, mettez le bouton d'alimentation générale, situé à l'arrière du fauteuil, à la position d'arrêt. Attendez au moins 30 minutes avant de le remettre en marche. Si vous n'éteignez pas le fauteuil, il pourrait se remettre en marche inopinément une fois le dispositif refroidi.

préparez-vous

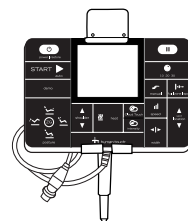
OUVERTURE DE LA BOÎTE



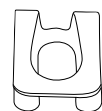
Base du fauteuil



Masseur pour les jambes



Tablette télécommandée et support



Attache (recharge)



Cordon d'alimentation

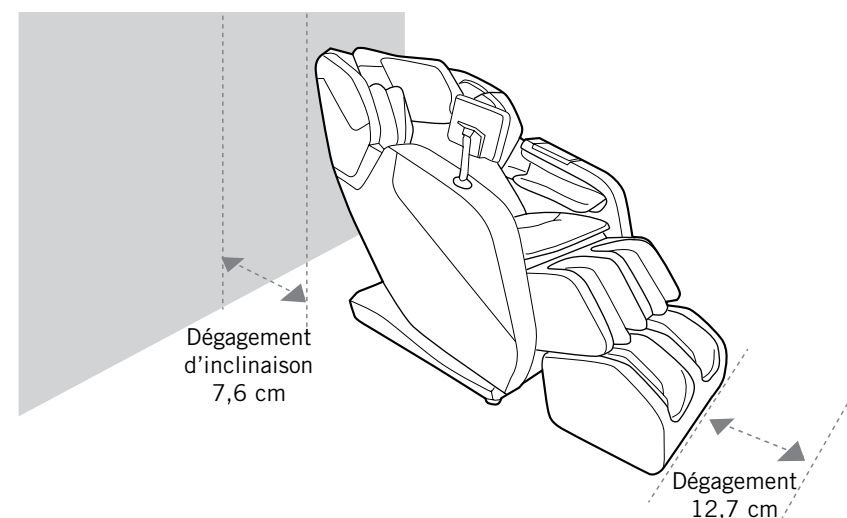


Fusibles 250 V, 3.15 A (2)

CHOISISSEZ UN EMPLACEMENT

Lorsque vous déterminez où vous placerez votre WholeBody Rove PRO, prenez les facteurs suivants en compte :

- Placez l'appareil sur une surface plane, à l'abri des rayons directs du soleil ou de toute autre source directe de chaleur (pour éviter la décoloration).
- Si vous souhaitez mettre le fauteuil sur une surface dure, il est recommandé de placer un tapis ou un revêtement mou en dessous pour éviter d'endommager le plancher.
- Pour accommoder le repose-jambes lorsqu'il est déployé, assurez-vous que la zone à l'avant du fauteuil est dégagée sur au moins cinq pouces.
- Le fauteuil se déplace vers l'avant alors qu'il s'incline, vous pouvez donc le positionner directement à côté du mur.

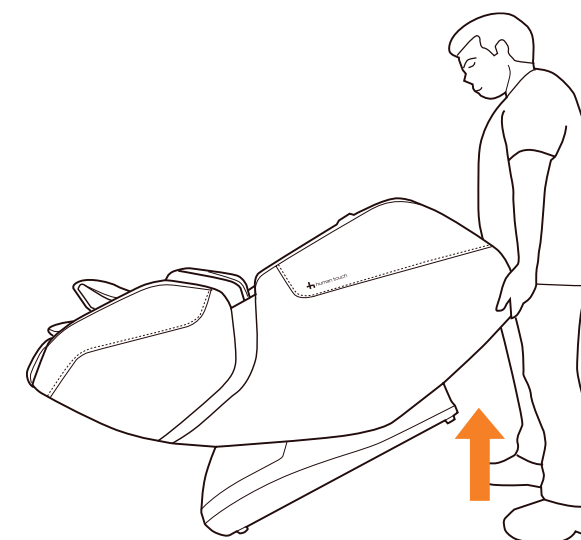
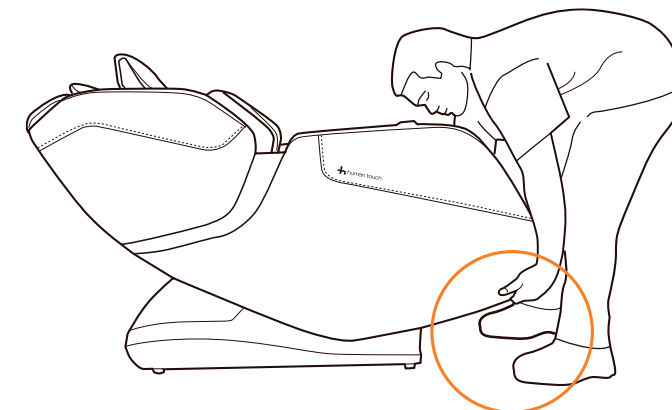


La préparation de votre fauteuil de massage Human Touch est facile. Il vous suffit de fixer le masseur pour les jambes, de connecter le coussin corporel et d'installer la tablette télécommandée et le support. Puis, branchez-le, mettez-le en marche et vous voilà fin prêt!

DÉPLACEZ LE FAUTEUIL À L'ENDROIT DÉSIRÉ

1. Saisissez l'avant des panneaux latéraux de fauteuil des deux côtés.
2. Soulevez pour faire tourner le fauteuil sur ses roues.
3. Faites rouler le fauteuil sur ses roues jusqu'à l'emplacement souhaité.
4. Abaissez doucement le fauteuil, jusqu'au plancher.

MISE EN GARDE : Le fauteuil ou le plancher risquent d'être endommagés si vous échappez l'avant du fauteuil.



ASSEMBLEZ LE FAUTEUIL

Placer le fauteuil en position relevée.

1. Branchez le cordon à l'arrière du fauteuil, puis dans la prise électrique mise à la terre..
2. Mettez l'interrupteur d'alimentation situé à l'arrière de la base du fauteuil à On (Marche). Le fauteuil se mettra automatiquement en position relevée (Fig. 1).
3. Coupez l'alimentation du fauteuil, puis débranchez-le.

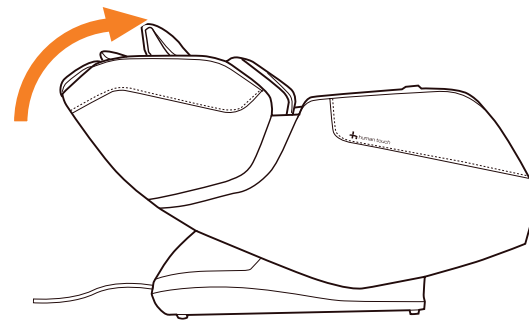


Fig.1

Installer le masseur pour les jambes

1. Retirez et conservez les deux attaches des tiges de montage du masseur pour les jambes situées sur l'avant du fauteuil en pliant la languette de chaque attache vers l'extérieur pour la libérer (Fig. 2).

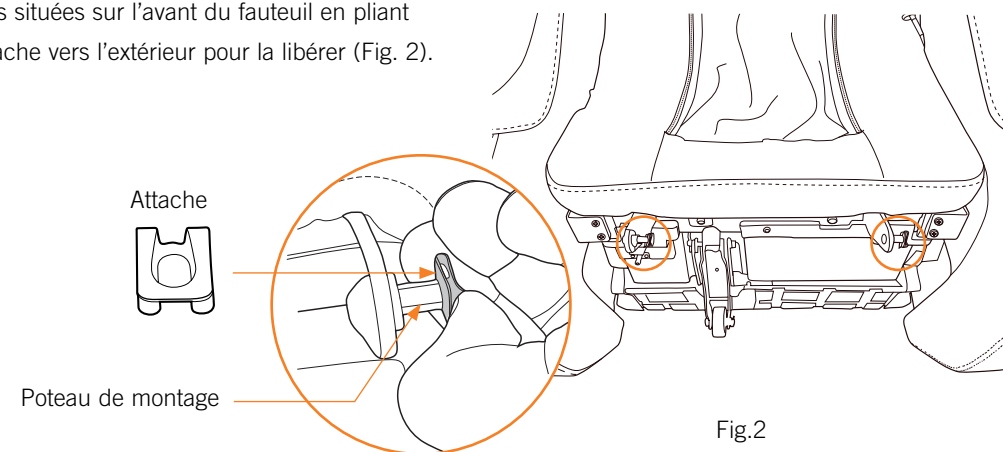


Fig.2

2. Placez le masseur en position à l'avant du fauteuil, puis connectez les deux tuyaux d'air et le connecteur électrique (Fig. 3).

IMPORTANT: Faites correspondre les tuyaux d'air par couleur.

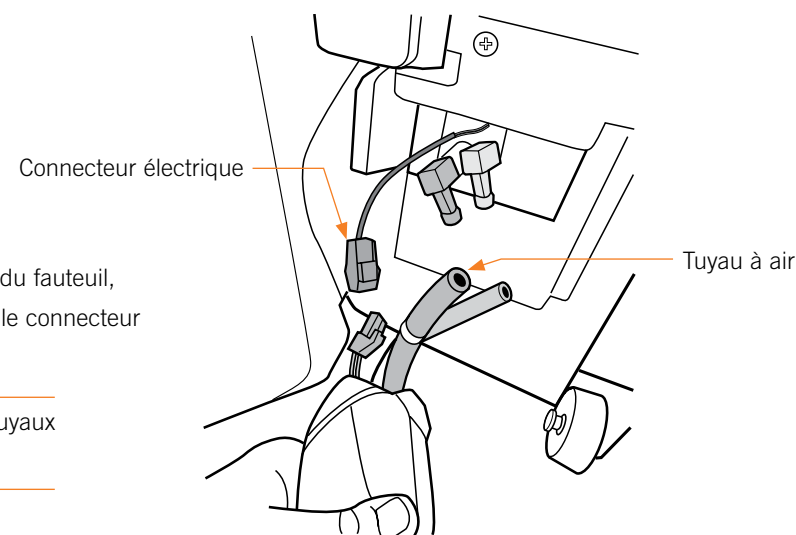


Fig.3

3. Positionnez le masseur à droite du support de montage. Soulevez légèrement le masseur, alignez les tiges avec le support de montage et faites glisser vers la gauche (Fig. 4).

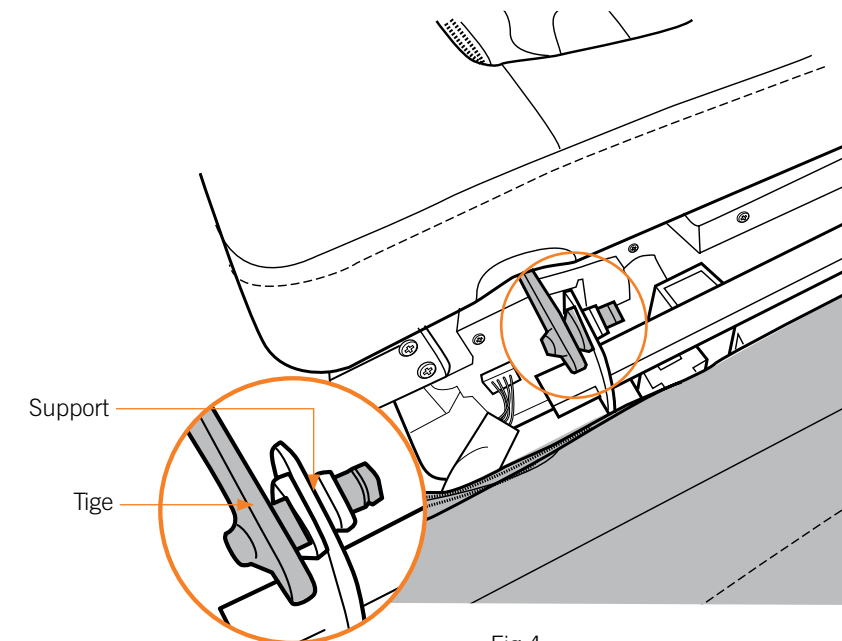
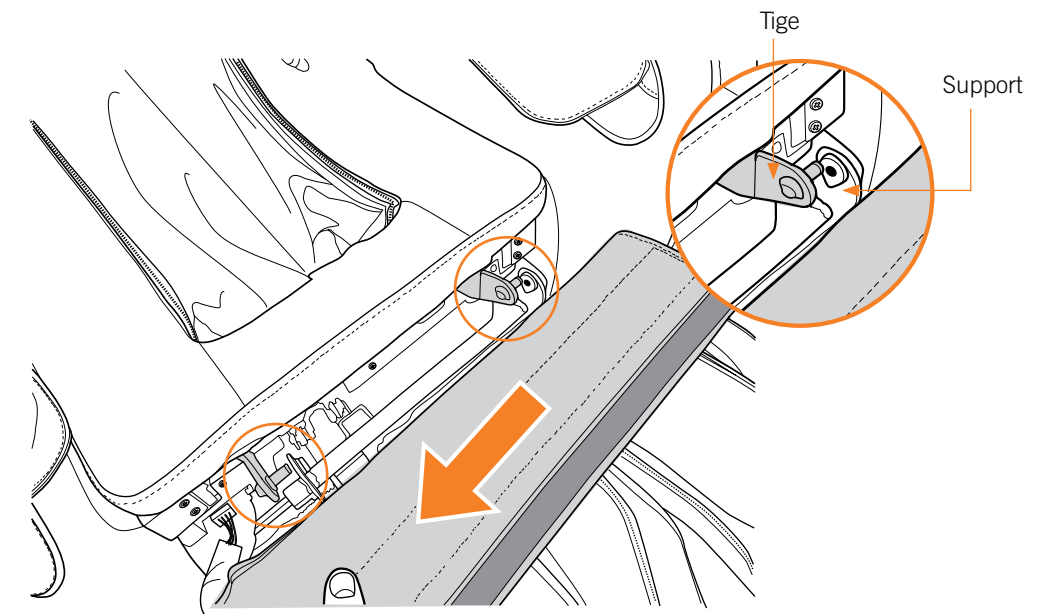


Fig.4

4. Réinstallez les attaches de l'étape 1 en les faisant glisser sur la tige de montage, ce qui fixe le masseur au fauteuil (Fig. 5).

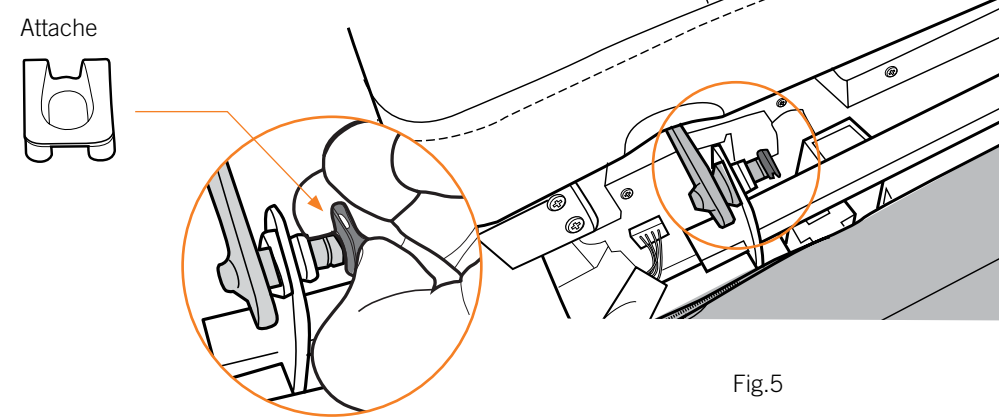


Fig.5

5. Retirez le revers protecteur des fermetures autoagrippantes sur l'arrière du rabat rembourré de masseur pour les jambes, puis pressez le rabat sur la base du fauteuil pour le fixer (Fig. 6).

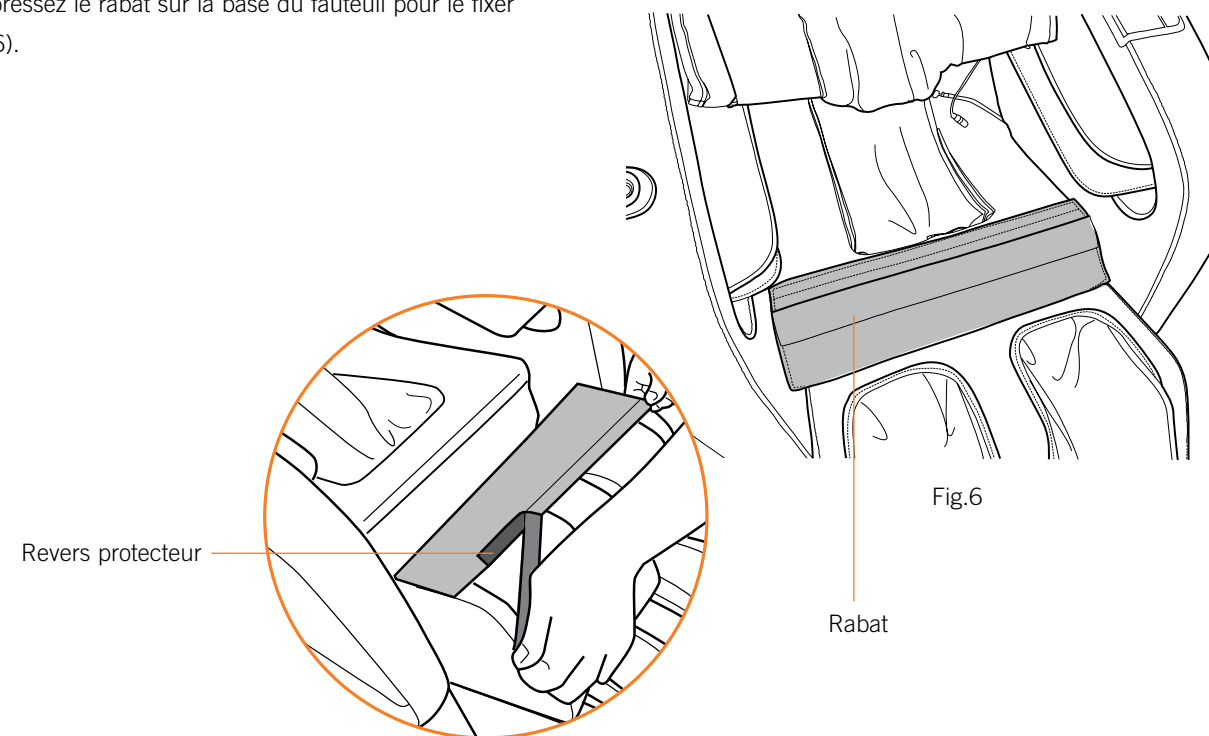


Fig.6

Poser le coussin corporel

1. Du côté gauche du fauteuil, repérez le câble de chauffage (Fig. 7).

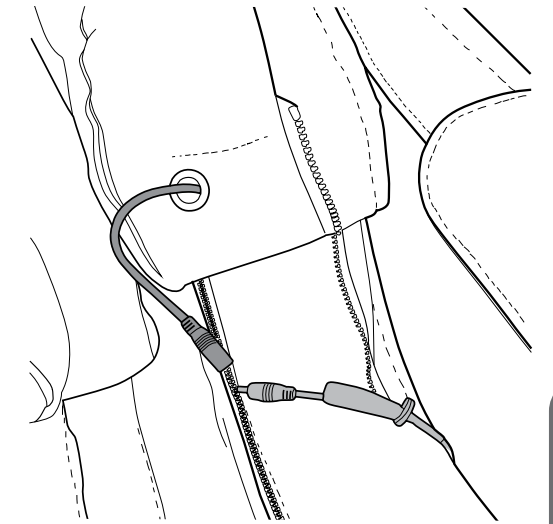


Fig.7

2. Branchez le câble de chauffage de la base du fauteuil sur le câble correspondant sur le coussin corporel. Vous entendrez un clic lorsque les deux extrémités sont correctement connectées (Fig. 8).

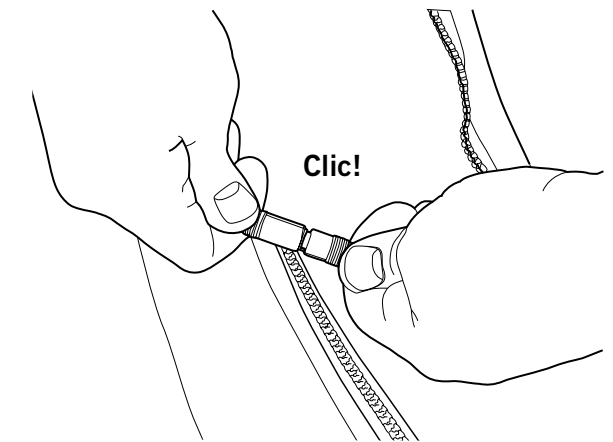


Fig.8

3. Faites glisser le protecteur en caoutchouc sur la connexion pour la fixer (Fig. 9).

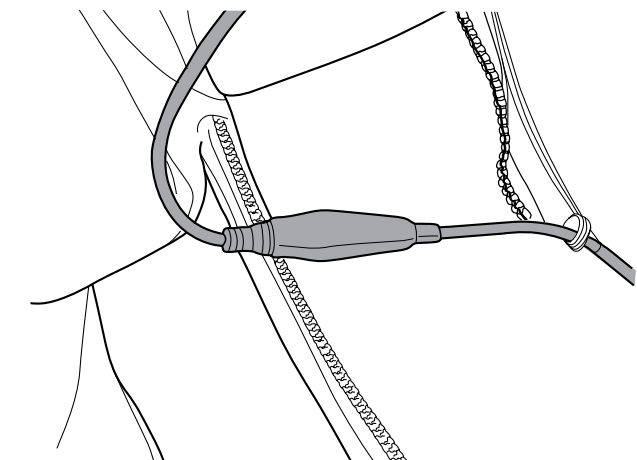
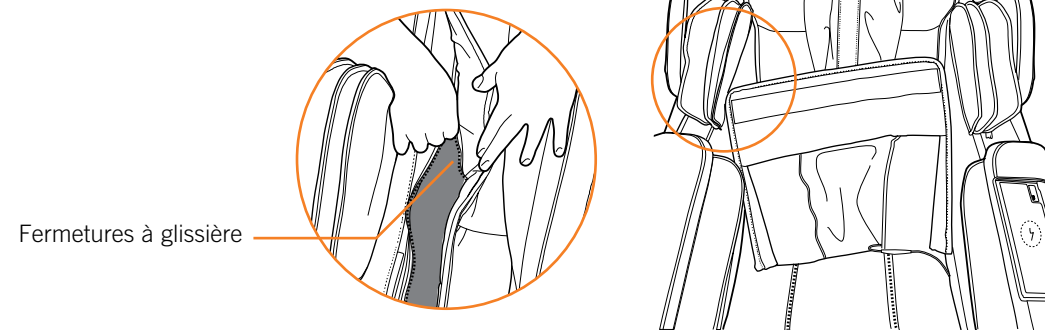


Fig.9

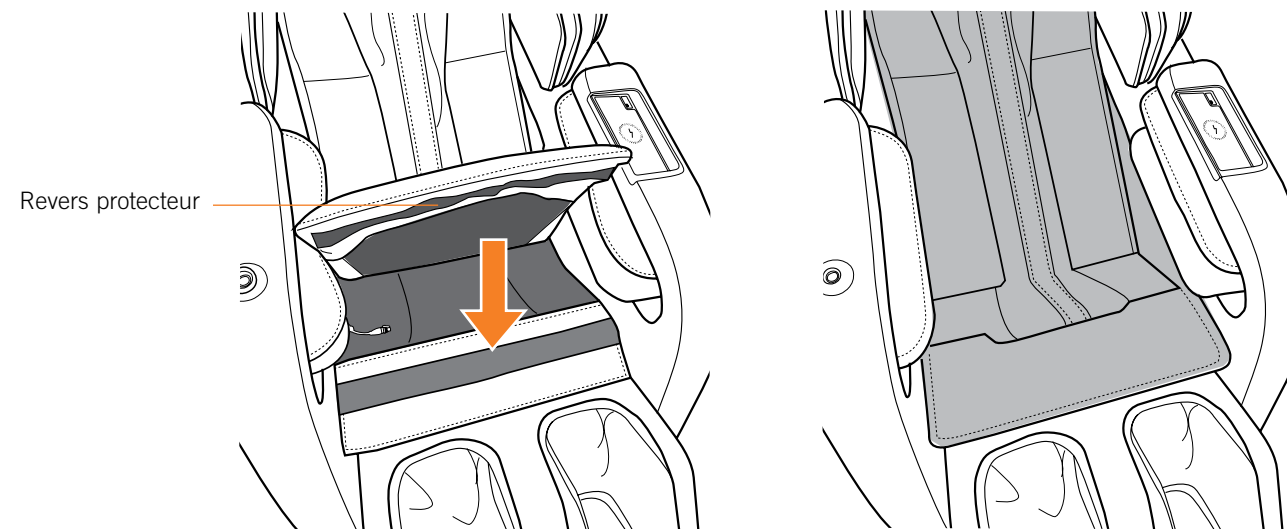
4. Fermez la fermeture à glissière des deux côtés du coussin corporel du fauteuil; les fermetures à glissière commencent dans le haut du dossier (Fig. 10).



Fermetures à glissière

Fig.10

5. Retirez le revers protecteur des fermetures autoagrippantes sur l'arrière du coussin corporel inférieur, alignez les fermetures avec les fermetures sur le rabat rembourré de masseur pour les jambes, puis pressez le rabat sur le coussin corporel pour le fixer au fauteuil (Fig. 11).



Revers protecteur

Fig.11

Poser la tablette de télécommande

1. Du côté droit du fauteuil, repérez le connecteur de télécommande (Fig. 12).

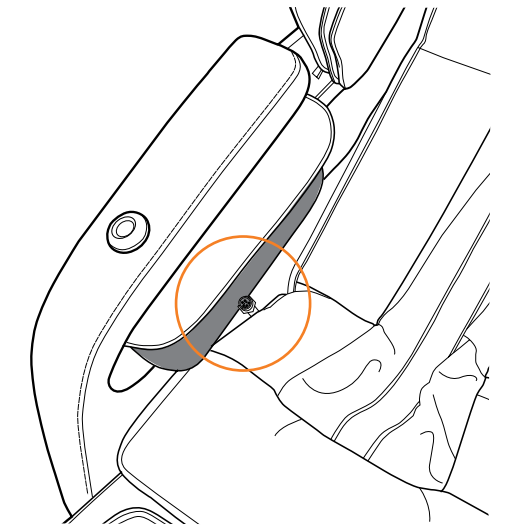


Fig.12

2. Faites correspondre les broches sur le câble de tablette de télécommande avec les trous correspondant sur le connecteur, puis insérez les extrémités de connecteur (Fig. 13).
3. Tournez le verrou de connecteur dans le sens horaire jusqu'à ce que les extrémités de connecteur soient solidement fixées (Fig. 13).

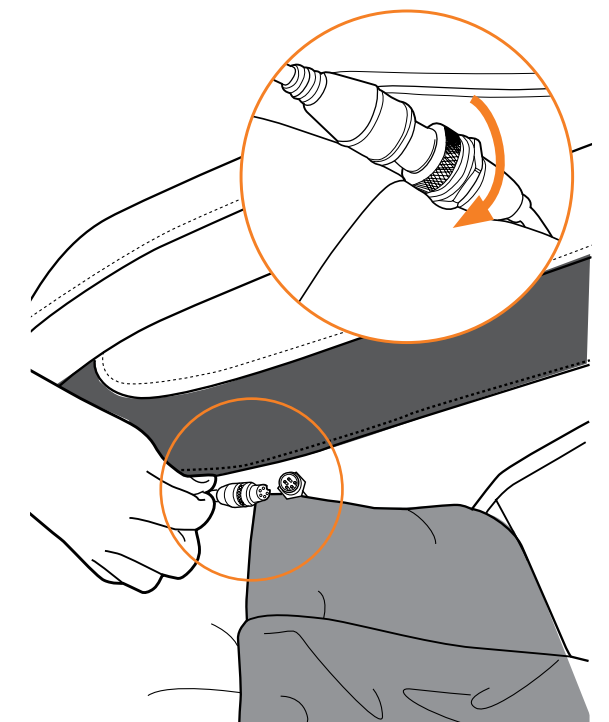


Fig.13

Installer la tablette télécommandée et le support

1. Placez le support de tablette télécommandée en position avec l'arrête d'alignement orientée vers l'avant du fauteuil, puis abaissez le support dans l'emboîture (Fig. 14).

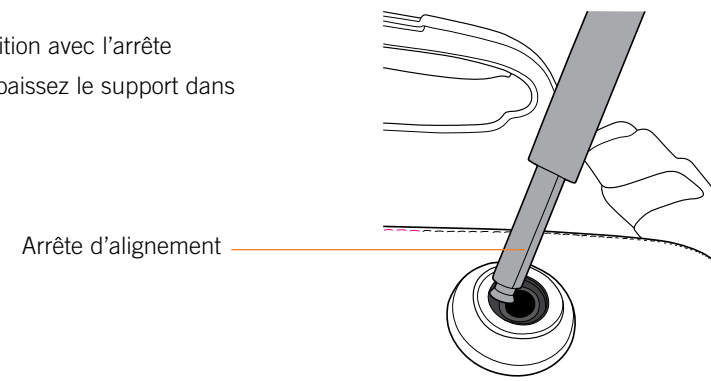


Fig.14

3. Placez la tablette télécommandée en angle pour qu'elle vous fasse face confortablement lorsque vous êtes assis sur le fauteuil (Fig. 16).

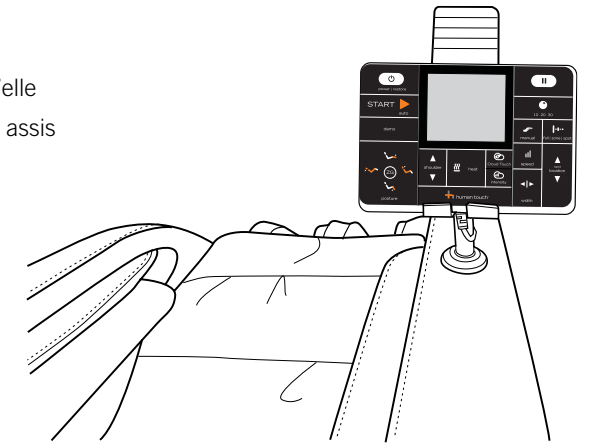


Fig.16

2. Poussez le support de tablette télécommandée dans l'emboîture jusqu'à ce que vous entendiez un clic (Fig. 15).



Fig.15

Mettre le fauteuil sous tension

1. Mettez l'interrupteur d'alimentation situé à l'arrière de la base du fauteuil à On (Marche).

Se familiariser

UTILISATION DE LA TABLETTE DE TÉLÉCOMMANDE

POWER / RESTORE (Allumer/relever) — Appuyez sur ce bouton pour activer la tablette de télécommande. Appuyez de nouveau pour arrêter toutes les fonctions et remettre le fauteuil en position relevée.

S'allume lors du soulèvement ou de l'abaissement du masseur pour les jambes.

Maintenez ce bouton enfoncé pour soulever le masseur pour les pieds et les jambes.

Maintenez ce bouton enfoncé pour abaisser le fauteuil.

Maintenez ce bouton enfoncé pour abaisser le masseur pour les pieds et les jambes.

ZEROG® — Touchez ce bouton pour incliner le fauteuil en position zéro gravité afin de profiter d'un soulagement maximum de la colonne.

Indique le temps restant au programme.

Indique le programme en cours d'utilisation.

S'allume lorsqu'en position ZG.

S'allume lorsque le bouton Pause est enfoncé et que toutes les fonctions se sont arrêtées. De plus, l'écran clignotera.

PAUSE — Appuyez pour mettre en pause toutes les fonctions immédiatement. Appuyez de nouveau pour reprendre.

S'allume lors de l'inclinaison du fauteuil dans un sens ou dans l'autre.

Maintenez ce bouton enfoncé pour relever le fauteuil.

UTILISATION DES PROGRAMMES AUTOMATIQUES

DÉTECTION ACUPOINT® — Après avoir sélectionné un programme de massage automatique, le mécanisme balaye votre dos et cartographie les programmes de massage pour un maximum d'efficacité.

S'allume lors du réglage manuel de la hauteur des épaules.

S'allume lors de l'utilisation d'un programme de massage automatique.

AUTO — Touchez ce bouton plusieurs fois pour basculer entre les programmes de massage.

DEMO (démo) — Touchez ce bouton pour lancer le programme de démonstration.

RÉGLAGE MANUEL DE LA HAUTEUR — Une fois que AcuPoint Detection a terminé son balayage, si vous souhaitez régler la portée de massage vertical différemment, maintenez les flèches enfoncées.

Clignote pour indiquer la ou les techniques de massage en cours d'utilisation.

FAITES VOTRE CHOIX PARI MI LES PROGRAMMES DE MASSAGE AUTOMATIQUES SUIVANTS.

PROGRAMME	FOCUS (CIBLE)	INTENSITÉ
1P	CORPOREL INTÉGRAL - Profitez d'un massage robotique et à l'air équilibré de la tête au pied.	Moyenne/faible
2P	RECOVERY (récupération) - Un massage robotique à l'air intense pour le corps en entier afin d'aider à une récupération plus efficace.	Moyenne/élevée
3P	YOGA STRETCH (étirement de yoga) - Un message de détente pour tout le corps comprenant une fonctionnalité de mobilité et d'étirement afin de procurer une extension des jambes et de la colonne en utilisant un massage robotique à l'air apaisant mettant l'accent sur votre région lombaire et votre fessier.	Moyenne/faible
4P	UPPER BODY (haut du corps) - Soulagez les tensions sur le cou et les épaules grâce à ce massage par pétrissage.	Moyenne
5P	LOWER BODY (bas du corps) - Apaisez votre dos, vos hanches et votre fessier fatigués grâce à ce massage à l'air combiné par pétrissage et tapotement.	Moyenne
6P	RELAX (relaxation) - Décompressez avec ce massage corporel complet.	Moyenne
7P	RELIEF (apaisement) - Soulagez la tension à travers tout le corps grâce à ce massage principalement concentré sur le massage.	Moyenne/faible
PP	DEMO (démo) - Une brève démonstration de toutes les fonctionnalités de massage pour le corps en entier.	Moyenne

prenez les commandes

PERSONNALISER VOTRE MASSAGE

Indique 00 en mode manuel.

Indique la portée de massage en mode manuel.

Indique la vitesse de massage.

Indique la largeur du rouleau de massage.

Indicates massage roller width.

ACUPRESSION CLOUD TOUCH — Touchez ce bouton plusieurs fois pour basculer entre les trois zones Cloud Touch (complète, supérieure et inférieure).

MANUEL — Touchez ce bouton plusieurs fois pour basculer entre les cinq techniques de massage.

PORTÉE — En mode manuel, touchez ce bouton plusieurs fois pour basculer entre la portée Full (complète), Zone ou Spot (localisée).

SPOT (cible) — Lors de l'utilisation du mode manuel Spot (localisée), maintenez le bouton enfoncé pour régler la position du rouleau de massage vertical.

SPEED (vitesse) — En mode manuel, touchez ce bouton plusieurs fois pour régler la vitesse de massage (sauf en mode Roulement).

WIDTH (largeur) — En mode manuel, touchez plusieurs fois ce bouton pour régler la largeur du rouleau de massage (sauf dans les modes par pétrissage).

MODE	DESCRIPTION
KNEAD & PERCUSS (PÉTRISSAGE ET PERCUSSION)	Combine un mouvement de pétrissage circulaire à de rapides tapotements en mode percussion.
PERCUSSION	Des tapotements rapides alternés le long de la colonne vertébrale stimulent les muscles et les articulations de la région lombaire. Ce massage reproduit la technique de massage à percussion employée en médecine sportive dans le cadre de thérapie musculaire en profondeur.
PÉTRISSAGE	Votre dos est pétri par de petits mouvements circulaires appliqués de chaque côté de votre colonne vertébrale.
ROULEMENT	Un roulement doux masse le long de votre dos, près de votre colonne vertébrale.
TAP (TAPOTTEMENT)	Un massage avec tapotements et roulements

Peaufinement de votre massage

Une fois que le massage est commencé, vous pouvez le peaufiner en réglant la durée et l'intensité Cloud Touch, ainsi qu'activer la chaleur.

S'allume lorsque la chaleur est activée.

DURÉE — Touchez ce bouton plusieurs fois pour basculer entre les réglages de minuterie de massage (20 minutes par défaut).

Indique l'intensité de Cloud Touch.

CHALEUR — Touchez ce bouton pour activer/désactiver la chaleur

INTENSITÉ DE CLOUD TOUCH — Touchez ce bouton plusieurs fois pour régler l'intensité de Cloud Touch.

ROULEAUX — Touchez ce bouton pour activer/désactiver les rouleaux pour les pieds

vous souhaitez un stronger massage?

Retirer l'oreiller

Faites glisser l'oreiller par-dessus le haut du dossier (Fig. 17) ou ouvrez la fermeture à glissière pour le retirer.

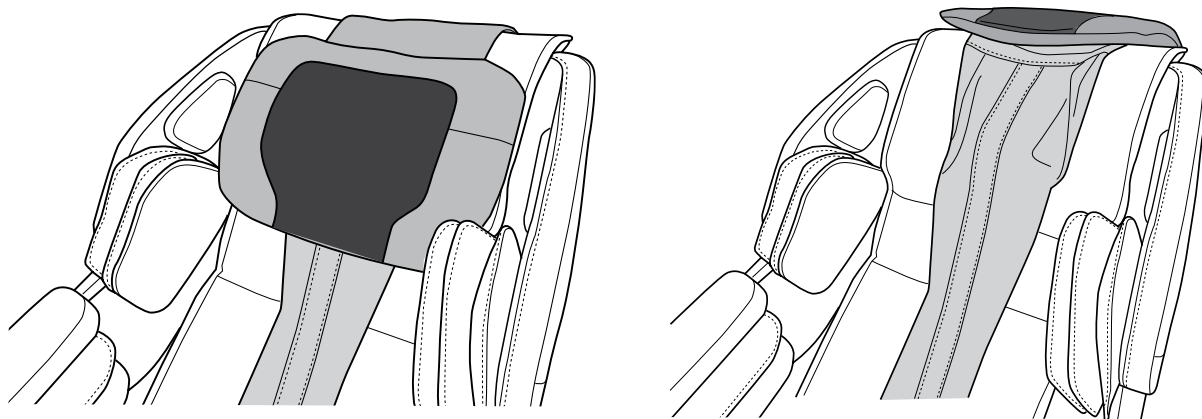


Fig.17

Pour retirer l'oreiller, ouvrez la fermeture à glissière sur la face intérieure du rabat rembourré de l'oreiller, puis faites glisser l'oreiller à l'extérieur depuis le dessous de la courroie de maintien d'oreiller (Fig. 18).

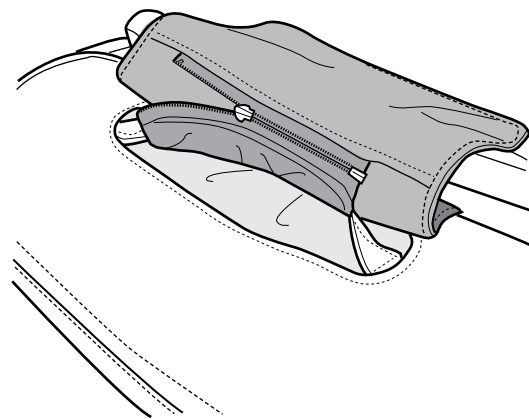


Fig.18

Retirer le coussinet adoucisseur

1. Pour retirer le coussinet adoucisseur, enlevez l'oreiller, puis repérez la fermeture à glissière sur le haut du coussinet adoucisseur, proche de l'arrière du fauteuil (Fig. 19).

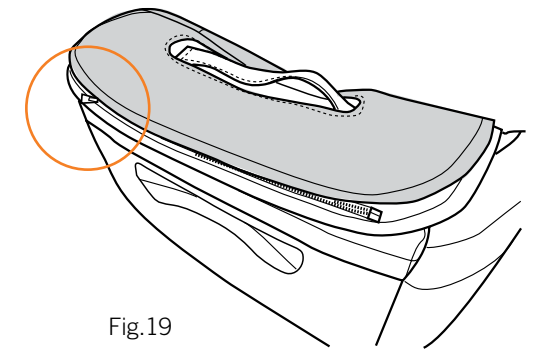


Fig.19

2. Ouvrez la fermeture à glissière du coussinet adoucisseur et retirez-le du fauteuil (Fig. 20).

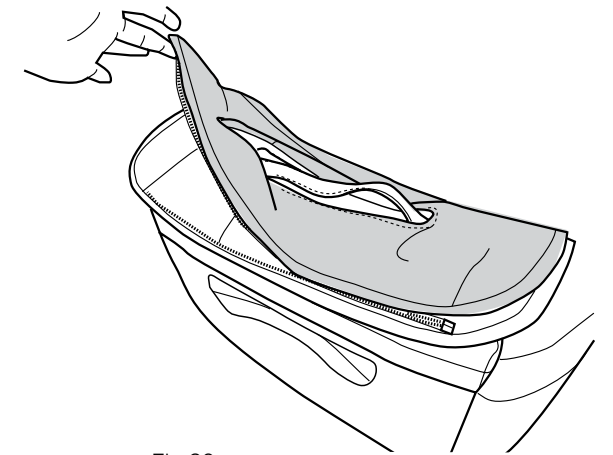


Fig.20

soin et entretien

Afin de vous assurer que votre produit fonctionne bien et qu'il conserve une belle apparence, veuillez suivre ces consignes faciles d'entretien.

MISE EN GARDE :

1. Assurez-vous de déconnecter le cordon d'alimentation de la prise électrique avant de procéder au nettoyage. (Également indiqué sur la page sur la sécurité.)
2. Nettoyer le boîtier de commande et l'interrupteur à l'aide d'un linge sec seulement. Ne nettoyez jamais le système de commande ou le bouton d'alimentation à l'aide d'un linge humide.
3. Avant de procéder au nettoyage de toute la surface du produit à l'aide d'une solution nettoyante, veillez à en faire l'essai sur une petite portion camouflée du produit afin de vous assurer qu'elle n'entraîne pas de décoloration.
4. N'utilisez pas de benzène, de diluant ou de solvant pour nettoyer le produit.

Norme de nettoyage pour faux cuir ou chiffon : W

Pour maintenir votre produit Human Touch en état optimal, époussetez-le fréquemment ou passez-y l'aspirateur à l'aide d'une brosse douce. Seuls les nettoyants à l'eau pour meubles conviennent au nettoyage de ce produit. Pour traiter les taches, appliquez localement un shampoing pour meubles ou un détergent moussieux doux.

Entretien et réparation :

1. La mécanique de cet appareil a été conçue et construite afin de ne nécessiter aucun entretien. Aucune lubrification ni entretien périodique ne sont nécessaires. (texte spécifique non dicté par une réglementation)
2. Votre fauteuil doit être réparé par un représentant du service autorisé uniquement.

Environnement d'utilisation et de rangement :

1. Ne placez pas le fauteuil sous le rayonnement direct ou réfléchi du soleil, car les rayons ultraviolets terniront rapidement la couleur de la garniture et entraîneront la détérioration rapide de la garniture SoftHyde.
2. Pour éviter des dommages, utilisez votre fauteuil dans une température ambiante située entre 5 et 40 degrés Celsius (41 et 104 degrés Fahrenheit) avec une humidité relative de 10 à 70 % (sans condensation).
3. Pour éviter d'endommager la garniture, assurez-vous qu'il n'y a ni objet pointu dans vos poches ni boutons ou fermetures à glissière qui pourraient entrer en contact avec le fauteuil.
4. Ne placez pas le fauteuil là où une quantité excessive de poussière et de poils d'animaux pourraient migrer dans les composants électriques et mécaniques du fauteuil; ceci pourrait causer un dysfonctionnement avec le temps.
5. Lorsqu'il n'est pas utilisé pendant une période prolongée, nous recommandons de couvrir le fauteuil, d'enrouler le cordon d'alimentation et de placer l'unité dans un environnement exempt de poussière et d'humidité.
6. Pour éviter les dommages, entreposez votre fauteuil à une température ambiante entre -15 et 50 degrés Celsius (5 et 122 degrés Fahrenheit) avec des niveaux d'humidité de 10 à 70 % (sans condensation); un produit entreposé dans des températures froides pourrait avoir besoin de 48 heures à température ambiante pour fonctionner correctement.
7. N'entreposez pas le produit près d'un chauffage actif ou d'une flamme.

Advenant une saute de puissance

Votre fauteuil de massage contient un fusible intégré pour se protéger lui-même d'une saute de puissance. Dans l'éventualité où une saute de puissance se produirait, vous devez inspecter le fusible et le remplacer.

Pour remplacer un fusible :

1. Mettez le fauteuil hors tension (OFF) et débranchez-le de la prise murale.
2. À l'aide d'un outil de type levier, retirez le porte-fusible du compartiment adjacent à l'entrée du connecteur d'alimentation (Fig. 21).
3. Remplacez le fusible par un neuf de la même valeur; fourni avec le fauteuil et indiqué sur le couvercle du compartiment de fusible, puis réinsérez le porte-fusible dans le compartiment.
4. Rebranchez le fauteuil dans la prise murale et mettez-le en marche.

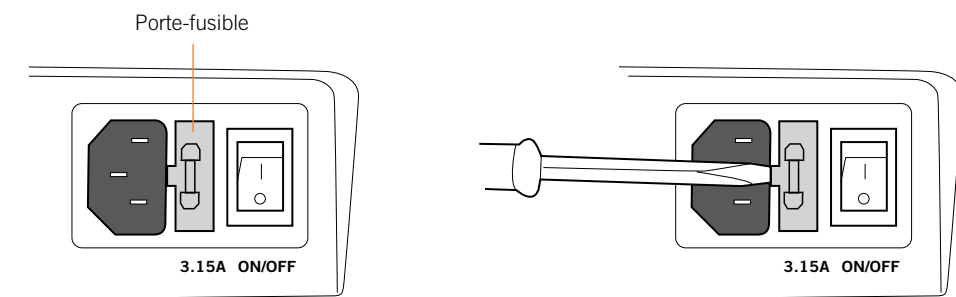


Fig.21

vous éprouvez des difficultés?

Votre fauteuil de massage est un ensemble sophistiqué de mécanique, d'électronique et de logiciel fonctionnant de concert pour vous procurer le massage ultime. Une telle complexité peut donner lieu à ce que nous appelons la « confusion » du fauteuil de massage. Par conséquent, si votre fauteuil de massage devait présenter tout comportement anormal, veuillez procéder comme suit pour le réinitialiser :

1. Appuyez sur **POWER/RESTORE** sur la tablette.
2. Mettez l'interrupteur d'alimentation (situé à l'arrière du fauteuil) à la position Off (Arrêt).
3. Débranchez le fauteuil de la source d'alimentation.
4. Attendez 30 secondes.
5. Rebranchez le fauteuil à la source d'alimentation, puis remettez l'interrupteur à la position On (marche).

Si votre fauteuil n'est pas sous tension :

1. **Vérifiez le cordon d'alimentation** - Assurez-vous que la connexion du cordon d'alimentation au fauteuil est bien fixée et que le cordon n'est pas endommagé.
2. **Vérifiez la prise de courant murale** - Branchez un appareil que vous savez fonctionnel dans la prise pour vous assurer que cette dernière fonctionne.
3. **Remplacer le fusible** - Consultez la section **Advenant une saute de puissance**.

Si le problème persiste, faites ce qui suit avant de contacter notre équipe de l'expérience client (ceci nous aidera à vous aider plus rapidement) :

1. Repérez le numéro de série sur l'étiquette à l'arrière du fauteuil et prenez-le en note.
2. Trouvez votre preuve d'achat, car vous en aurez besoin pour traiter toute réclamation sous garantie.
3. Vous êtes maintenant prêt à nous contacter!

Vous éprouvez des difficultés? Contactez notre équipe de l'expérience client au **800 355-2762**, du lundi au jeudi de 7 h à 16 h 30 HP, le vendredi de 7 h à 15 h 30 ou à l'adresse **csadmin@humantouch.com**

Fiche technique*

Tension de fonctionnement :	A110 à 120 volts CA, 60 Hz
Consommation d'énergie :	150 W
Valeurs nominales du chargeur :	USB @ 5 V, 3 A, Sans fil @ 10 W
Taille du fauteuil :	155 cm L x 76 cm P x 118 cm H (relevé) 180 cm L x 76 cm P x 84 cm H (incliné)
Poids du produit :	81,6 kg
Dégagement d'inclinaison requis :	7,6 cm
Poids de charge maximal :	129 kg

**La fiche technique est sujette à modifications sans préavis.*