



REPLACING AN ARMREST

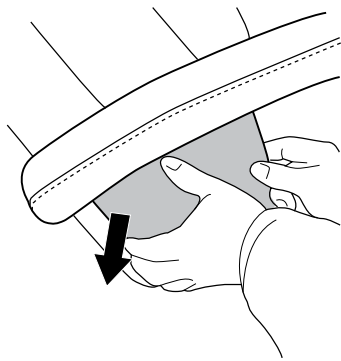
To ensure that Human Touch® products are repaired in a manner that is fully consistent with the practices used during the manufacturing process, Human Touch requires that all product repairs are performed using only factory-new parts and in accordance with these product repair instructions.

SERVICE LEVEL: 3

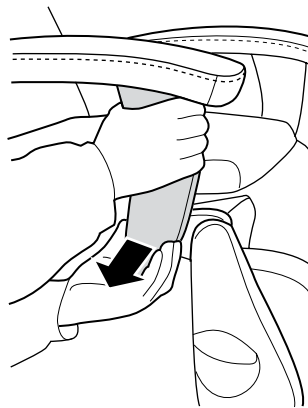
Tools Required: Flat-head or Phillips screwdriver. **SAVE ALL REMOVED PARTS FOR USE DURING REASSEMBLY**

REMOVING THE ARMREST

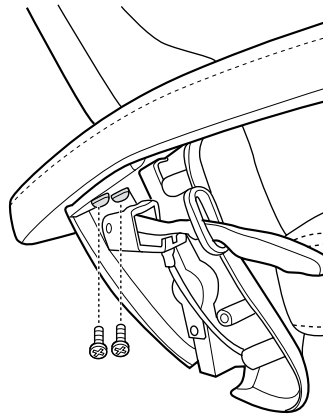
1. Using two hands, pull firmly outward on the rear side panel cover to remove it (Fig.1).
2. Using two hands, pull firmly outward on the front side panel cover to remove it (Fig.2).
3. Using a Phillips-head or flat-head screwdriver, remove the two rear armrest screws (Fig.3).
4. Using a Phillips-head or flat-head screwdriver, remove the two front armrest screws (Fig.4).
5. Pull up on the armrest to remove it (Fig.5).



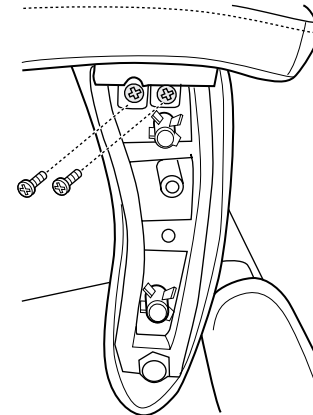
(Fig.1)



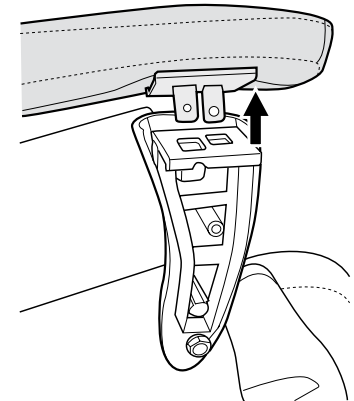
(Fig.2)



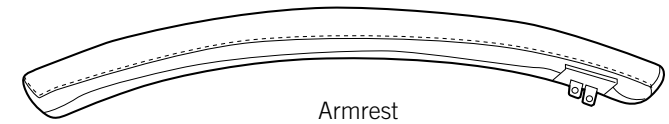
(Fig.3)



(Fig.4)



(Fig.5)



INSTALLING THE NEW ARMREST

1. Place the armrest into position, aligning the two tabs on the front end with the corresponding slots on the chair (Fig.6).
2. Replace the two front armrest screws.
3. Replace the two rear armrest screws.
4. Using two hands, align the rear side panel posts with the corresponding guides on the chair, then press the cover firmly into place.
5. Replace the front side panel cover in the same manner.

