

REPLACING THE BACKREST ACTUATOR

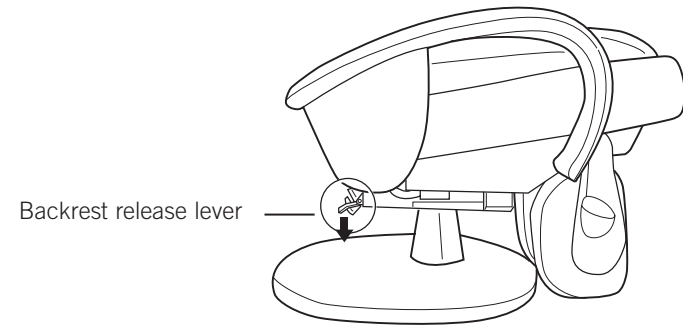
It is imperative that Human Touch® products are repaired in a manner that ensures product safety and regulatory compliance and that is fully consistent with the practices used during the manufacturing process. Therefore, Human Touch requires that all product repairs are performed using only factory-new parts and in accordance with these repair instructions. Failure to adhere to these instructions voids the product warranty and releases Human Touch from all liability for injury or product damage resulting from the repair.

SERVICE LEVEL: 3

Tools Required: Small Phillips-head screwdriver, short-handled Phillips-head screwdriver
SAVE ALL REMOVED PARTS FOR USE DURING REASSEMBLY

GET READY

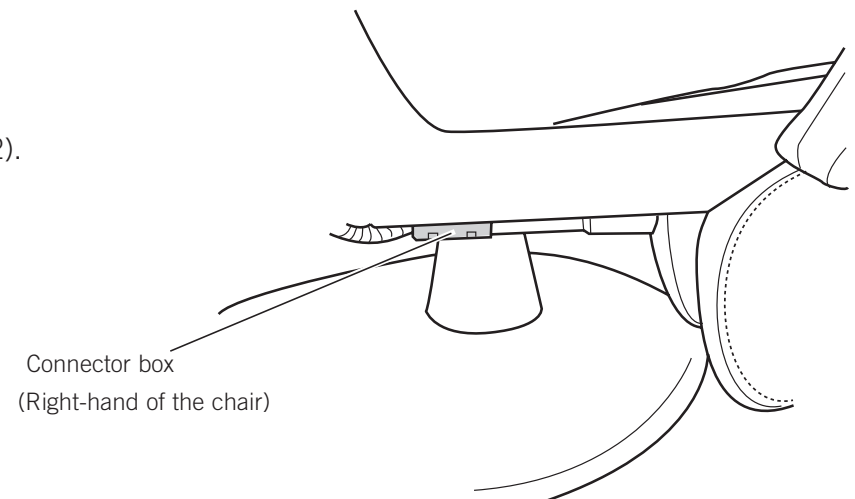
1. Push down on the backrest release lever, then fold the backrest forward onto the chair seat (Fig.1).
2. Power off the chair and unplug it.



(Fig.1)

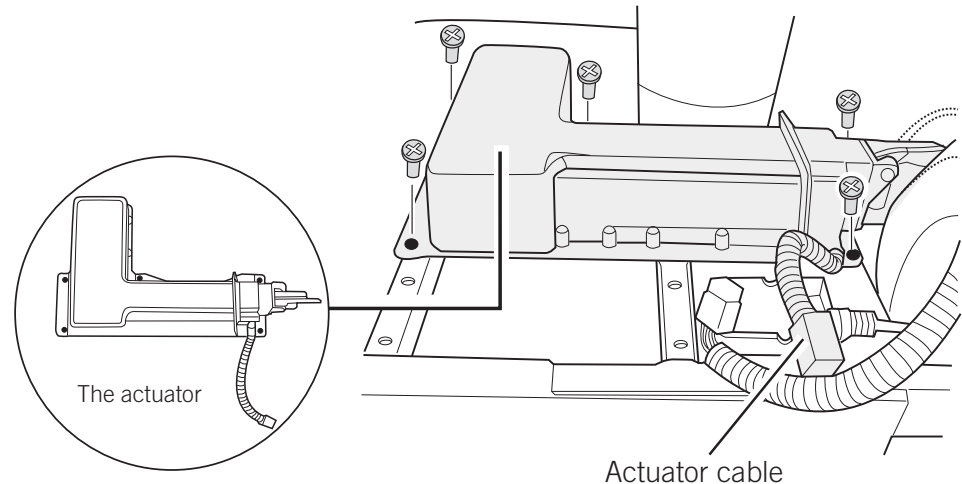
REMOVING THE ACTUATOR

1. Locate the connector box underneath the chair on the right-hand side (Fig.2).
2. Using a small Phillips-head screwdriver, remove the two screws that secure the connector box cover, then remove the cover.
3. Disconnect the larger of the two connectors inside.



(Fig.2)

4. Lying on your back underneath the right-hand side of the chair, locate the backrest actuator (Fig.3).
5. Using a short-handled Phillips-head screwdriver, remove the five screws (and their washers) (Fig.3).
NOTE: A short-handled screwdriver helps ensure that you can maintain a straight angle, so you do not strip the screws.
6. Remove the actuator from the chair base.



(Fig.3)

NOTE: View of actuator with chair upside-down.

INSTALLING THE NEW ACTUATOR

1. Lying on your back underneath the right-hand side of the chair, place the actuator into position on the bottom of the chair base, lining up all five holes. NOTE: The backrest may have shifted after the actuator was removed, so you may need to adjust it slightly to line up the holes.
2. Replace each of the five screws and hand-tighten.
3. Secure the screws using a short-handled Phillips-head screwdriver.
4. Reconnect the actuator cable.
5. Position the actuator cable connector inside the connector box, with the cables resting in the cable guides.
6. Replace the connector box cover, using a small Phillips-head screwdriver and the two screws you removed earlier.
7. Power on the chair and verify that the new actuator works.