

REPLACING AN ARMREST

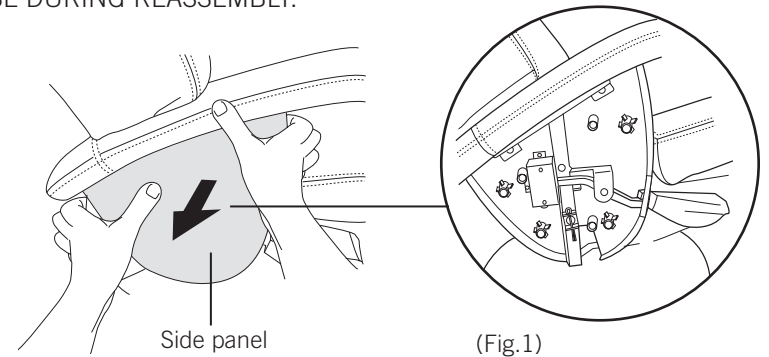
It is imperative that Human Touch[®] products are repaired in a manner that ensures product safety and regulatory compliance and that is fully consistent with the practices used during the manufacturing process. Therefore, Human Touch requires that all product repairs are performed using only factory-new parts and in accordance with these repair instructions. Failure to adhere to these instructions voids the product warranty and releases Human Touch from all liability for injury or product damage resulting from the repair.

SERVICE LEVEL: 2

Tools Required: 16-mm wrench, 2 people (to turn chair on its side). **NOTE:** SAVE ALL SCREWS FOR USE DURING REASSEMBLY.

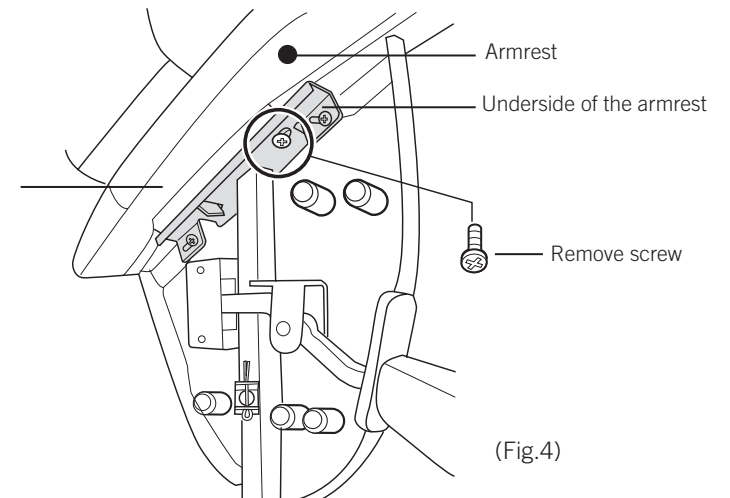
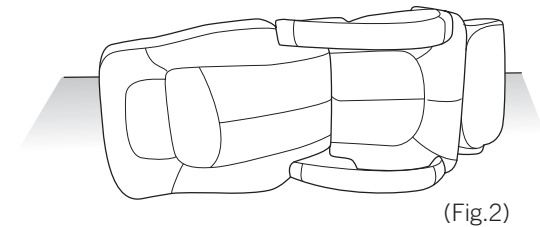
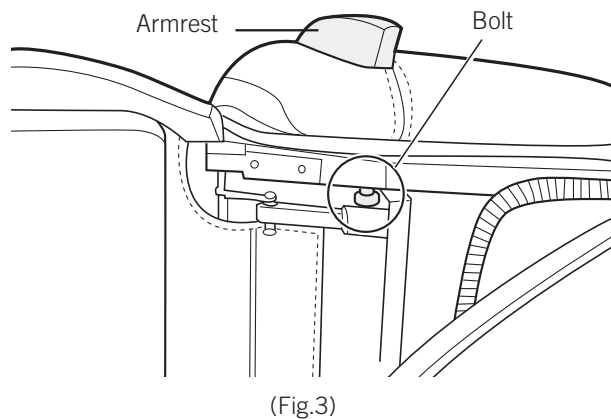
GET READY

1. Pull up on the electronic footrest lever on the right-hand side of the chair to fully deploy the foot and calf massager.
2. Power off the chair and unplug it.
3. Using both hands, pull outward on the side panel to remove it (Fig.1).
4. Using two people, turn the chair gently on its side, with the armrest you wish to replace on top (Fig.2).

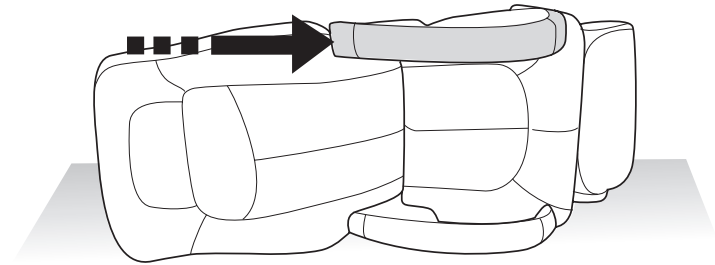


REMOVING AN ARMREST

1. On the bottom of the chair near the front, locate the bolt that secures the armrest to the chair frame, then loosen the bolt as far as possible using a 16-mm wrench (Fig.3).
2. Pull up on the armrest to provide further access to the bolt, then remove the bolt.
3. Using a Phillips-head screwdriver, remove the screw from the underside of the armrest that secures the armrest to the chair (Fig.4).



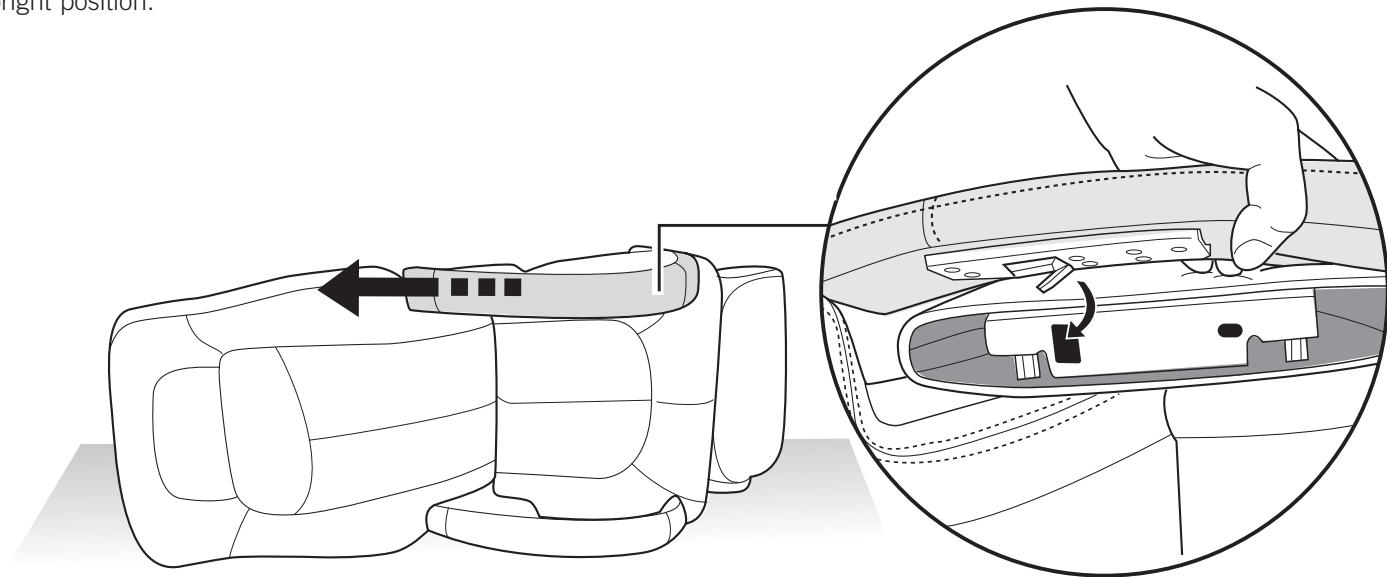
4. Push the armrest toward the front of the chair until it disengages from the slot that secures it, then remove it from the chair base (Fig.5).



(Fig.5)

INSTALLING THE NEW ARMREST

1. From the front of the chair, slide the new armrest into place. The tab on the bottom of the armrest installs into a slot on the chair arm to secure it (Fig.6).
2. Using a 16-mm wrench, replace the bolt that secures the armrest to the chair base.
3. Using a Phillips-head screwdriver, replace the screw on the underside of the armrest that secures the armrest to the chair.
4. Return the chair to the upright position.
5. Replace the side panel.



(Fig.6)