




REPLACING THE BACKREST ACTUATOR

To ensure that Human Touch® products are repaired in a manner that is fully consistent with the practices used during the manufacturing process, Human Touch requires that all product repairs are performed using only factory-new parts and in accordance with these product repair instructions.

SERVICE LEVEL: 3

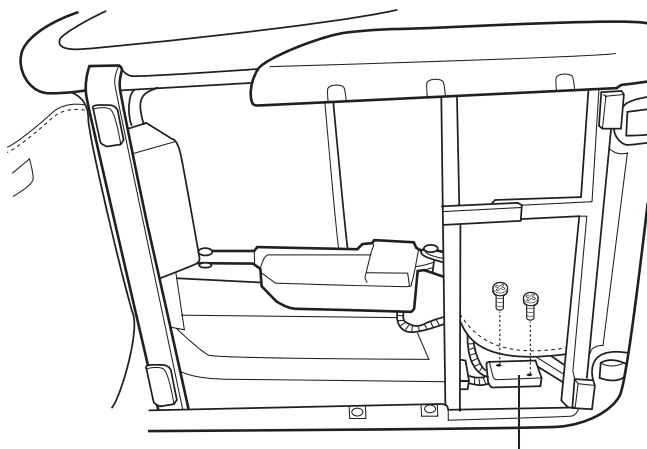
Tools Required: needle-nosed pliers, pliers, Phillips-head screwdriver

SAVE ALL REMOVED PARTS FOR USE DURING REASSEMBLY

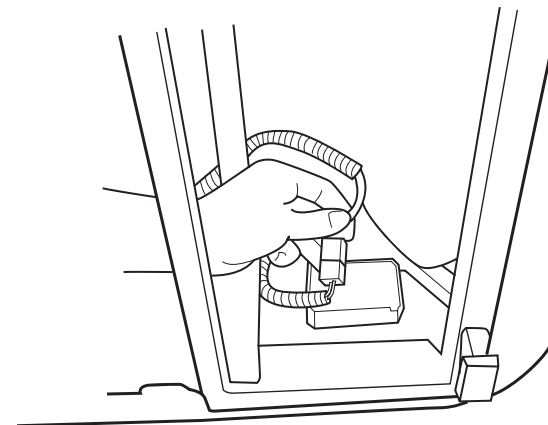
 **CAUTION!** You will need at least two people to complete this procedure, as the chair is very heavy. Be sure you have enough people to safely tip the chair on its side, to prevent injury.

REMOVING THE BACKREST ACTUATOR

1. Use the remote to fully deploy the foot and calf massager.
2. Power off the chair and unplug it.
3. Using two people, tip the chair gently onto its right-hand side.
4. Facing the bottom of the chair, locate the connector junction box near the rear of the chair (fig.1), then remove the two screws that secure the box cover using a Phillips-head screwdriver.
5. Remove the junction box cover, then disconnect the connectors inside (Fig.2).

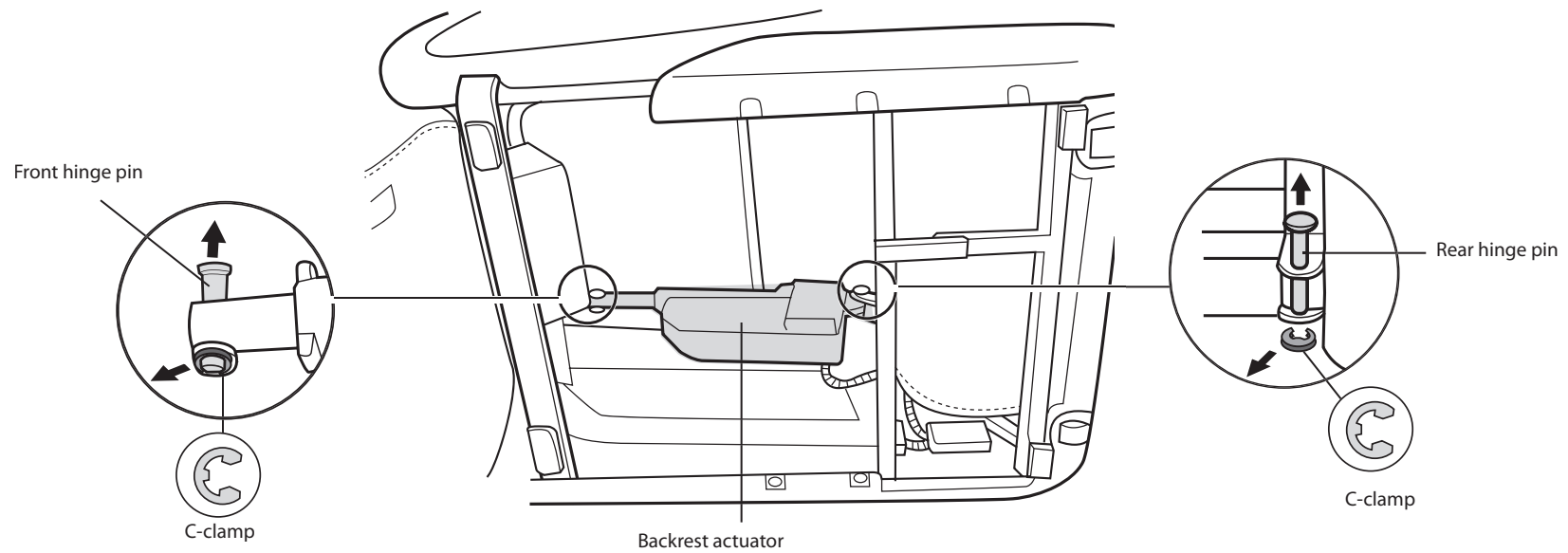


(Fig.1) Connector junction box



(Fig.2)

6. Locate the front hinge pin, then, using a needle-nosed pliers, remove the C-clamp that secures the hinge pin to the chair (Fig.3).
7. Using a pliers, remove the front hinge pin.
8. Locate the rear hinge pin, then, using a needle-nosed pliers, remove the C-clamp that secures the hinge pin to the chair (Fig.3).
9. Using a pliers, remove the rear hinge pin.
10. Remove the backrest actuator from the chair.



(Fig.3)

INSTALLING THE NEW BACKREST ACTUATOR

1. Align the new actuator with the front and rear mounting points, then secure it by replacing the front and rear hinge pins.
2. Using a needle-nosed pliers, replace the C-clamps on both hinge pins to secure them.
3. Connect the new actuator cable connector to the corresponding connector on the chair base.
4. Position the connectors inside the junction box base, place the junction box cover onto the base, then secure it using two screws.
5. Plug in the chair, power it on, and verify that the recline function is now working properly.